



USER MANUAL – BUILT-IN HOB

EGT7221EK

Safety instructions	3
Parts identification	4
Installation instructions	5
Installation procedure	6
Gas connection	6
Operation	7
Ignition burners	7
Using the hob correctly	7
Maintenance and care	8
Glass top	8
Burner - caps & crowns	8
What to do if	8
Technical specifications	9
Warranty conditions	9

Thank you for choosing and using Electrolux home appliances.

Electrolux Group of Sweden is one of the world largest home appliances companies. With more than 65 million Electrolux products being used by millions of households worldwide each year, it is also the world largest manufacturer of kitchen electrical appliances. The group has sold more than 55 million kitchen products, which is equivalent to the combined heights of 5 Mount Everest. Besides that, more than 2/3 of the world star hotels use Electrolux professional kitchen equipment.

Clearly, the excellent achievement of Electrolux over the last 80 years has been widely recognized by 450 million families all over the world. Now, we are pleased to make some of the best products from this renowned brand available to consumers in Southeast Asia. To us, not only is Electrolux one of the most reliable brands in dealing with home appliances, it is also a brand that promises to bring innovative lifestyles to all families through its cutting edge technologies and excellent designs. For not only do they add a touch of elegance to your kitchen, but Electrolux products also makes cooking easier, more enjoyable and something to share with. Enjoy happy cooking now with Electrolux kitchen appliances!

Once again, we would like to extend our heartiest thanks to you for your trust in choosing Electrolux products!

Before installing or using this appliance, please read this instruction book carefully and pay particular attention to the safety warnings in the following page.

Should you have further enquiries regarding this appliance, kindly contact our Customer Care for advice. Please keep this instruction book for future reference and pass it on to any future owners of this appliance.

Safety instructions

- Do not use gas other than that which is specified on the label attached.
- Do not place anything, e.g. flame tamer, asbestos mat, between pan and pan support as serious damage to the appliance may result. (Fig 1)
- Do not remove the pan support and enclose the burner with a wok stand not supplied by Electrolux as this will concentrate the flame and deflect the heat onto the top plate. (Fig 2)
- Do not use large pots or heavy weights which can bend the pan support or deflect the flame onto the top plate. (Fig 3)
- Locate pan centrally over burner so that it is stable and does not overheat the appliance. (Fig 4)
- Use only wok support supplied or recommended by the manufacturer of the appliance. (Fig 5)
- Wok support to be used for wok and other trivets for flat bottom pot.
- The unit to be used for cooking only. Do not dry towels, clothes, etc., over it. If this is done, there is danger of fire.
- If a gas leak is found, close stopcock, open up all windows and call your dealer. Do refrain from turning an electric switch on or off, lighting a match, smoking or using a lighter.
- Use the appliance in a well-ventilated room.
- Do not use vinyl gas hose. It is liable to be softened by heat. Use only a rubber hose.
- Be sure to turn off the ignition knob and regulator of the cylinder after use.
- Avoid touching the burner, pan stand etc., immediately after use. Otherwise you will get burnt.
- Ensure that the rubber hose does not touch any part of the unit or lies underneath it.
- Connect the rubber hose to the gas inlet and fasten it with a hose clamp.
- The pan stand leg nearest to the flame will have discolouration after use. Such phenomenon is normal.



WARNING:-

- In the event of the burner flames being accidentally extinguished, turn off the burner control knob and do not attempt to re-ignite the burner for at least 1 minute.
- For burner fitted with a flame supervision device, if after 15 seconds of ignition operation the burner has not lit, stop operating the device and open the compartment door and wait at least 1 minute before attempting a further ignition of the burner.
- If nozzle holes are blocked, use a thin wire or pin to pierce and clean the nozzle holes.



Fig. 1

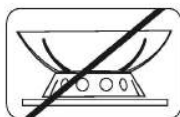


Fig. 2



Fig. 3

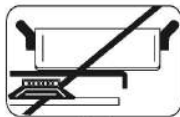


Fig. 4

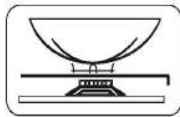
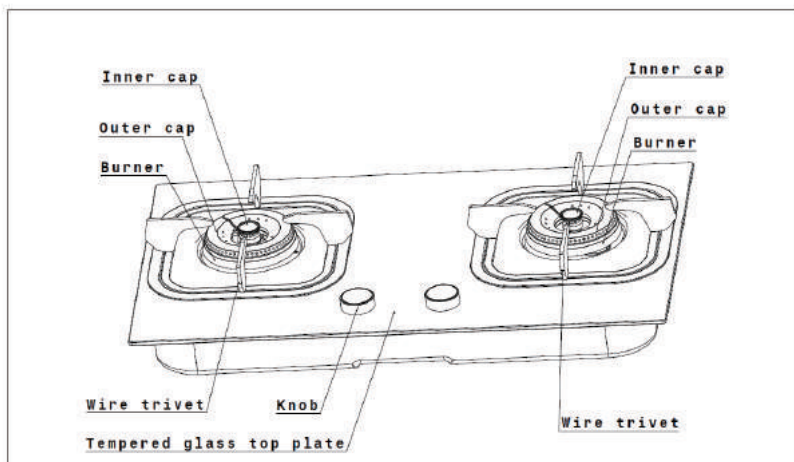


Fig. 5



EGT7221EK

RoHS
Compliant.

Environment Information

If at any time in future you need to dispose of this product, do NOT dispose of this product with household waste. Please send this product to collecting points where available.

This product is RoHS compliant

5 installation instructions

Installation instructions

- Have the installer show you the location of the gas shut off valve and how to shut it off in emergency.
- Be certain all packing materials are removed from the hob before operating to prevent fire or smoke damage that could be caused by the presence of these materials.
- Observe all instructions for minimum clearance to any combustible surfaces. These should be in accordance with information on the rating plate and with national fire laws.
- If the hob is installed near windows, proper precautions should be taken to prevent curtains from blowing over burners creating FIRE HAZARD.
- When choosing a location for this hob consider, availability and position of gas and electric supply paths.
- Any openings around gas and electric service outlets shall be closed at the time of installation.
- Do not install another hob next to this unit.
- The underside of the hob must be checked to ensure that there are no projections which might foul the hob. Make sure that the countertop is solidly supported and can withstand the weight of the hob.
- Check that the cabinet is leveled from side to side and from front to back in its installed position.
- Cabinet ventilation can be improved by the provision of air holes to the cabinet. Care should be taken to ensure that ventilation holes are not obstructed.
- When fitting a vent hood above the hob, refer to the manufacturer own installations relating to that product. However as a general rule, a minimum clear vertical distance of 750mm (30") should be maintained between the cooktop and the underside of any cupboard, wall unit or vent. (Fig 6)
- Any cabinet installed above the cooktop must not be greater than 325mm (13" deep). (Fig 6)
- The edge of the hob must have a minimum distance from the rear wall of 55mm. (Fig 6)

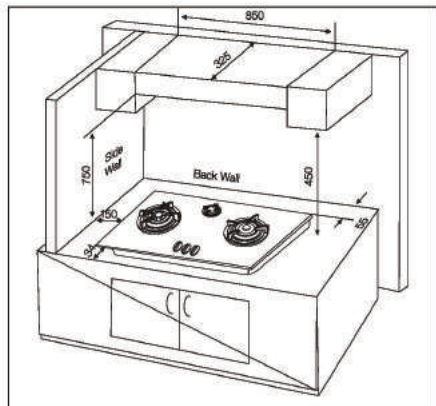
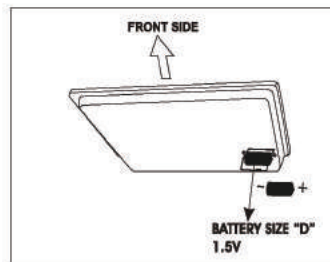


Fig. 6 (in mm)

If clearance between side/back walls and periphery of the burner is less than 200mm, the walls must be protected with a non-combustible material. The protection must extend a minimum distance of 450mm above the burner. Horizontal surfaces less than 750mm vertically above the cooktop must also be protected.



BATTERY COMPARTMENT

1. When the battery is exhausted; or the spark become weakness, a new battery should be replaced.
2. The battery compartment is located as shown in the diagram. Please place the battery in correct polarity as shown.

Warning: Please take out the battery if no use for a long time.

Product	Built-in Gas hob
Model	EGT7221EK
Net Weight	10.2Kg
Gross Weight	12Kg
Product Size(mm)	720x420x130(LxWxH)
Package Size(mm)	810x495x205(LxWxH)
Cut-out Dimension(mm)	675x365xR62.5

Installation procedure

- Before installing the appliance, check that the location provides the required clearances from combustible materials and check if necessary to provide protection to adjacent surfaces as required by the regulation. Make provision for the gas supply to be connected to the location.
- Cut the opening in the bench top by the cardboard-template given in the hob packing or to the dimensions shown in Fig 7.
- Remove the hob from the carton.
- Install the hob in the cut-out (Fig 7)
- Connect gas supply to inlet of hob. Turn the gas on and check for leaks using soap solution and brush around all the joints and connection.
- Test the appliance; depress the control knob and turn to full flame setting to activate the electric igniter. The burner will ignite. Adjust control knob to the desired setting. On initial usage you may have to repeat this ignition function several times (to allow air to be purged from the gas supply system). No adjustment should be necessary. If any problem occur, refer to the servicing instructions or the fault finding chart.
- Ensure the manual is left with the user. If any of the above procedures do not produce satisfactory results, the agent service department should be consulted for more specialized assistance.



Gas connection

Cylinder or network connection must be carried out according to the relevant local standards. This hob must be connected with low pressure regulator only.

Flexible connection

The supply hose must be visible for its entire length (max. one meter) and must be secured with a hose clamp X (Fig 8). The sealing washer must be fitted.

Soap test procedure

- Turn the burner controls off and turn on the gas supply.
- Apply soapy solution to each joint. (Figure 8)
- Formation of bubbles indicates leakage and must be tightened.
- Repeat soap test.



IMPORTANT SAFETY INSTRUCTION:-

Upon completion of gas installation connections, it is compulsory to check for gas leakage at the joint. (Soap Test)

MODEL: EGT7221EK

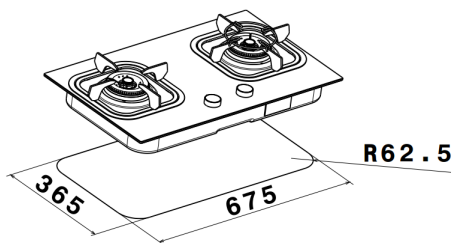


Fig. 7 (in mm)

Bench cut-out size viewed from front of bench, i.e. control panel at front.

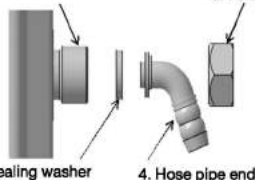
If clearance between side/back walls and periphery of the burner is less than 200mm, the walls must be protected with a non-combustible material. The protection must extend a minimum distance of 450mm above the burner. Horizontal surfaces less than 750mm vertically above the hob must also be protected.



INSTALLATION WARNING:-

Check the data plate to ensure that the appliance is suitable for the available gas supply. Following the elbow assembled and gas leak test as below.

1. Manifold end 1/2" Parallel thread
2. Female nut



- All parts (2,3,4) must be used and assembled together
- Do the soap test to check for gas leak (refer to user manual)

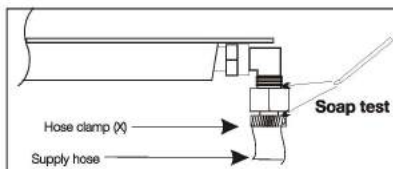
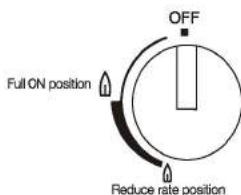


Fig 8

Ignition burners

1. Check to make sure that the gas supply is accessible and set up with the necessary and appropriate fittings/connectors.
2. Turn all control knobs to off position.
3. This device is fitted with a safety tap to control the gas flow. When the dot on the knob lines up with the following symbols on the panel, these conditions prevail:



To close, rotate the knob to the right until you feel the tap's distinct click.

4. To ignite, hold the knob and depress for several seconds, rotate it to maximum gas flow position. For models with thermocouple, keep the knob depressed about 5–8 seconds, otherwise the flame will extinguish.
5. If the burner does not light the first time, repeat Step 4.
6. If the flame extinguishes suddenly, repeat Step 4.
7. When using the unit again immediately after having once turned it off, wait for about ten seconds before re-igniting.
8. Each burner has its own independent ignitor.
9. When the burner is lit, turn the knob to adjust the flame size according to your needs. This needs no depression of the knob.

For burner fitted with a flame supervision device, if after 15 seconds of ignition operation the burner has not lit, stop operating the device and wait at least 1 minute before attempting a further ignition of the burner.

Using the hob correctly

- To ensure maximum burner efficiency, it is strongly recommended that you use only pots and pans with a bottom fitting the size of the burner used, so that the flame will not spread beyond the bottom of the vessel (Table 1).
- It is also advisable, as soon as the liquid starts boiling, to turn down the flame so that it will barely keep the liquid simmering.

Burner	Minimum Diameter	Maximum Diameter
Wok Burner	160mm	240mm

Table 1



NOTE:-

Remember that a wide-bottomed pan allows a faster cooking than a narrow one.

Always use pots which properly fit what you have to cook.

Particularly make sure that the pans are not too small for liquids, since these could easily overflow.

The pans should not be too large for a faster cooking.

You should use pans with the right diameter to fit the burner, in order to make the most out of it, thus reducing gas consumption as in Fig 12.

It is also advisable to cover any boiling casserole and as soon as the liquid starts to boil, lower the flame enough to keep the boiling point.

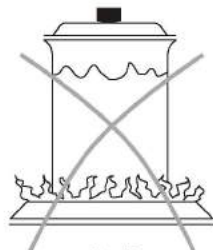
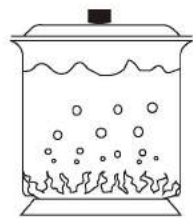
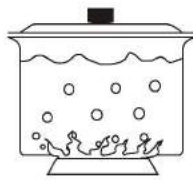


Fig. 12

Glass top

- Persistent stains may require vigorous rubbing with nylon scourer or creamed powder cleansers. Household enamel cleaners are available, follow the manufacturer instructions in their use. Harsh abrasive cleaners, powder cleaners, steel wool or wax polishes should not be used.
- Do not use the glass top as a work table.
- If necessary, use a matchstick or brush to clean ports.
- After cleaning, ensure the burner caps are reassembled properly into position.
- After cleaning service, when assembling the burner crown and caps, care must be taken to ensure the spark plug is not knocked. The spark plug will crack if knocked and may give rise to flame ignition problem.

Burner caps & crowns

- These can all be lifted off and removed for separate cleaning.
- Ensure burner caps and crowns are thoroughly dried after cleaning or spillage.
- When cleaning the burner crowns, ensure that all the flame ports and other holes are free of any blockage.



NOTE:-
When refitting the burner caps & crowns, ensure that they are correctly seated.

What to do if

Phenomenon	Reason	Solution
Burner will not light...	Air in gas line Blockage in line Ignition not sparking Battery is dead Burner not fitted correctly	Purge gas line Trace back & clear Check lead & electrode Replace battery Fit burner in correct position
Burner lights back to injector...	Excessive lint up of burner mixing tube Excessive gas pressure	Remove & clean burner Check gas regulator pressure & adjust if necessary
Burner has explosive ignition...	Excessive gas pressure	Check gas regulator pressure & adjust if necessary
Ignitor not sparking...	Electrode gap excessive Ignitor connections loose Battery is dead	Check gap, adjust if not between 4-5 mm Check connections to ignitor, replace if faulty Change a new battery



WARNING:-

Do not spray aerosols in the vicinity of this hob while in operation. Some propellant gases can break down when heated and produce corrosive vapours which will attack some materials.


Articles which are made from flammable materials should not be stored in drawers or cupboards immediately below this hob.

Do not store articles within 50mm of the base.

Do not touch spark ignitor while lighting the burner.

Where this appliance is installed in a marine craft or in caravans, it shall not be used as a space heater.

Technical specifications

L.P.Gas	
 Triple ring burner	4.2 kW
Reduce Rate	1.0 kW
Setting	30 mbar
Gas Connection	0.5 inch straight thread (14 threads per inch)
Battery	1.5V D.C

** Technical specifications are from Electrolux laboratory.*

All parts & components must not be removed or replaced unless by qualified service personnel.

Standard warranty conditions

We, Electrolux, undertake that if within 12 months of the date of the purchase this Electrolux appliance or any part thereof is proved to be defective by reason only of faulty workmanship or materials, we will, at our option repair or replace the same FREE OF CHARGE for labour, materials or carriage on condition that:

The appliance has been correctly installed and used only on the electricity supply stated on the rating plate.

The appliance has been used for normal domestic purposes only, and in accordance with the manufacturer instructions. The appliance has not been serviced, maintained, repaired, taken apart or tampered with by any person not authorized by us.

All service work under this guarantee must be undertaken by an Electrolux Service Center. Any appliance or defective part replaced shall become the Company property.

This warranty is in addition to your statutory and other legal rights.

This warranty does not include maintenance, like cleaning of hood.

The manufacturer waives all liability for failure to observe the instructions for the appropriate installation, maintenance and use of the appliance.

If you need any technical help or would like more information about our products, please do not hesitate to contact our Customer Care Center, listed below:

Indonesia

Consumer Care Center Tel : (+62 21) 522 7180
PT. Electrolux Indonesia
Gedung Plaza Kuningan
Menara Utara 2nd Floor,
Suite 201, Jl. HR Rasuna Said
Kav C 11-14, Karet Setiabudi
Jakarta Selatan 12940
Office Tel : (+62 21) 522 7099
Office Fax : (+62 21) 522 7097
Email : customer-care@electrolux.co.id

Malaysia

Consumer Care Center Tel: 1300-88-11-22
Electrolux Home Appliances Sdn. Bhd,
Corporate Office Address: Unit T2-7, 7th Floor, Tower 2,
Jaya33 Hyperoffice, No. 3, Jalan Semangat, Seksyen 13,
46100 Petaling Jaya, Selangor
Office Tel : (+60 3) 7843 5999
Office Fax : (+60 3) 7895 5511
Consumer Care Center Address: Lot C6, No. 28,
Jalan 15/22, Taman Perindustrian Tiong Nam,
40200 Shah Alam, Selangor
Consumer Care Center Fax : (+60 3) 5524 2521
Email : malaysia.customer-care@electrolux.com

Philippines

Consumer Care Center Toll Free : 1-800-10-845-CARE 2273
Consumer Care Hotline : (+63 2) 845 CARE 2273
Electrolux Philippines, Inc.,
10th Floor, W5th Avenue Building
5th Avenue Corner 32nd Street
Bonifacio Global City,
Taguig Philippines 1634
Trunkline: +63 2 737-4757
Website : www.electrolux.com.ph
Email : wecare@electrolux.com

Singapore

Consumer Care Center Tel: (+65) 6727 3699
Electrolux S.E.A. Pte Ltd.
1 Fusionopolis Place,
#07-10 Galaxis, West Lobby
Singapore 138522.
Office Fax : (+65) 6727 3611
Email : customer-care.sin@electrolux.com

Thailand

Consumer Care Tel : (+66 2) 725 9000
Electrolux Thailand Co., Ltd.
Electrolux Building 14th Floor
1910 New Phetchaburi Road,
Bangkapi, Huai Khwang, Bangkok 10310
Office Tel : (+66 2) 7259100
Office Fax : (+66 2) 7259299
Email : customer-carethai@electrolux.com

Vietnam

Consumer Care Center Toll Free : 1800- 58-88-99
Tel : (+84 8) 3910 5465
Electrolux Vietnam Ltd.
Floor 9th, A&B Tower
76 Le Lai street - Ben Thanh Ward - District 1
Ho Chi Minh City , Vietnam
Office Tel : (+84 8) 3910 5465
Office Fax : (+84 8) 3910 5470
Email : vn-care@electrolux.com

Hongkong

Tel: (+852) 8203 0298
Dah Chong Hong, Ltd. - Service Centre
8/F., Yee Lim Godown Block C
2-28 Kwai Lok Street, Kwai Chung, N.T.



HƯỚNG DẪN SỬ DỤNG BẾP GAS ÂM

EGT7221EK

Những chỉ dẫn an toàn	3
Các bộ phận của bếp	4
Hướng dẫn lắp đặt	5
Quy trình lắp đặt	6
Nồi gas	6
Vận hành	7
Đánh lửa	7
Sử dụng bếp đúng cách	7
Bảo trì và vệ sinh	8
Mặt kính	8
Nắp chia lửa và nắp đậy.....	8
Khắc phục sự cố	8
Thông số kỹ thuật	9
Điều kiện bảo hành	9

Cảm ơn quý khách đã lựa chọn và sử dụng các sản phẩm gia dụng Electrolux.

Tập đoàn Electrolux của Thụy Điển là một trong những tập đoàn sản xuất các thiết bị điện gia dụng lớn nhất trên thế giới. Mỗi năm, với hơn 65 triệu sản phẩm Electrolux được sử dụng bởi hàng triệu gia đình, Electrolux còn là một trong những công ty sản xuất các thiết bị điện gia dụng dùng trong nhà bếp lớn nhất thế giới. Tập đoàn chúng tôi đã tiêu thụ hơn 55 triệu sản phẩm nhà bếp, tương đương với chiều cao của 5 ngọn núi Everest. Bên cạnh đó, hơn 2/3 các khách sạn cao cấp của thế giới đã và đang sử dụng các thiết bị bếp chuyên dụng của Electrolux.

Rõ ràng là, các sản phẩm của Electrolux trong suốt hơn 80 năm qua đã được 450 triệu gia đình trên toàn thế giới công nhận là những sản phẩm chất lượng cao. Giờ đây, chúng tôi rất hân hạnh giới thiệu với quý khách hàng ở khu vực Đông Nam Á các sản phẩm ưu việt của chúng tôi. Đối với chúng tôi, Electrolux không chỉ là một trong những thương hiệu được tin cậy nhất về các sản phẩm điện gia dụng mà còn là một thương hiệu đem đến phong cách mới cho ngôi nhà của quý khách thông qua những cải tiến kỹ thuật đột phá và thiết kế hoàn hảo. Những cải tiến này không chỉ làm cho nhà bếp của quý khách sang trọng hơn mà còn giúp cho việc nấu nướng trở nên thoải mái và dễ dàng hơn. Hãy cùng làm cho công việc bếp núc của mình thoải mái hơn với sản phẩm bếp Electrolux.

Một lần nữa, chúng tôi xin gửi đến các quý khách hàng lời cảm ơn chân thành nhất vì đã tin dùng các sản phẩm của công ty Electrolux chúng tôi.

Trước khi lắp đặt hoặc sử dụng sản phẩm, vui lòng đọc kỹ hướng dẫn sử dụng và chú ý đến phần cảnh báo ở trang tiếp theo.

Nếu có bất kì thắc mắc gì về sản phẩm, quý khách vui lòng liên hệ với Trung tâm Dịch vụ Khách hàng để được trợ giúp.

Vui lòng giữ sách hướng dẫn sử dụng để tiện việc tham khảo về sau và chuyển cho người chủ tiếp theo của thiết bị.

NHỮNG CHỈ DẪN AN TOÀN

- Không dùng các loại gas khác so với loại gas đã được chỉ định trên nhãn đính kèm.
- Không đặt bất cứ vật gì, ví dụ như bật lửa hay tấm amiăng, giữa xoong nồi và kiềng bếp vì điều này có thể gây ra những hư hại nghiêm trọng cho bếp. (Hình 1)
- Không thay kiềng bếp có sẵn bằng kiềng bếp không phải của Electrolux vì điều này sẽ tập trung ngọn lửa và làm lệch hướng nguồn nhiệt xuống mặt bếp. (Hình 2)
- Không dùng nồi quá lớn hoặc quá nặng vì như thế có thể sẽ làm cong kiềng bếp và làm lệch hướng của ngọn lửa xuống mặt bếp. (Hình 3)
- Đặt nồi vào giữa bếp để nồi được cố định và bếp không bị quá nóng. (Hình 4)
- Chỉ sử dụng loại kiềng bếp đi kèm theo bếp hoặc loại kiềng bếp được khuyến dùng bởi nhà sản xuất. (Hình 5)
- Kiềng bếp lớn thường được dùng cho chảo lớn và các kiềng bếp thường khác được dùng cho nồi có đáy bằng.
- Chỉ sử dụng bếp để nấu nướng. Không dùng bếp để sấy khăn, quần áo, vv ... vì có thể gây ra hỏa hoạn.
- Nếu phát hiện bếp bị rò rỉ gas, hãy khóa van gas, mở tất cả các cửa sổ và gọi đến đại lý nơi quý khách đã mua sản phẩm. Cố gắng không bật công tắc điện, bật quạt diêm, hút thuốc hay quạt lửa cho tới khi vấn đề được giải quyết.
- Chỉ dùng bếp trong phòng được thông hơi tốt.
- Không dùng ống dẫn gas bằng nhựa vinyl vì ống có thể mềm ra khi nhiệt độ tăng cao. Chỉ sử dụng ống dẫn gas bằng cao su.
- Hãy đảm bảo rằng quý khách đã khóa nút đánh lửa và van an toàn của bình gas sau mỗi lần sử dụng.
- Tránh chạm vào bếp hay các kiềng bếp,... ngay sau mỗi lần sử dụng để không bị phỏng.
- Kiểm tra chắc chắn rằng ống dẫn cao su không chạm vào bếp hay nằm dưới bất kỳ bộ phận nào của bếp.
- Nối ống dẫn cao su vào đầu nhận gas của bếp và siết chặt lại bằng kẹp giữ cổ ống gas.
- Chân kiềng bếp để gần ngọn lửa sẽ đổi màu sau mỗi lần sử dụng. Hiện tượng này là hoàn toàn bình thường.

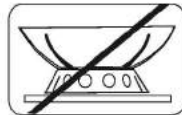


CẢNH BÁO:

- Trong trường hợp ngọn lửa bị tắt ngoài ý muốn, hãy tắt nút điều chỉnh của bếp và không bật lại bếp trong thời gian ít nhất là 1 phút.
- Với các bếp được trang bị một thiết bị kiểm soát ngọn lửa, nếu bếp không lên lửa sau khi đánh lửa quá 15 giây, vui lòng ngưng sử dụng thiết bị, mở cửa phòng và đợi ít nhất 1 phút trước khi thử đánh lửa lại.
- Nếu miệng ống dẫn bị nghẽn, hãy dùng một sợi dây mỏng hay một cái ghim để thông tắc và vệ sinh ở phần miệng ống.



Hình 1



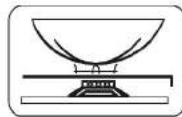
Hình 2



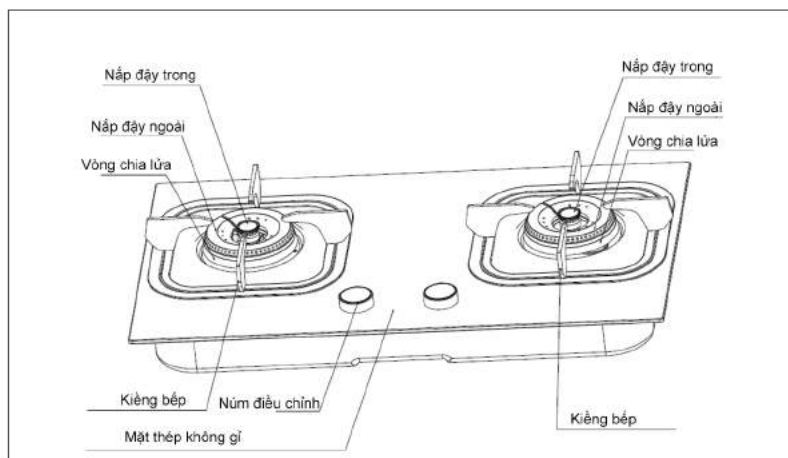
Hình 3



Hình 4



Hình 5



EGT7221EK

RoHS
Compliant

Thông tin môi trường

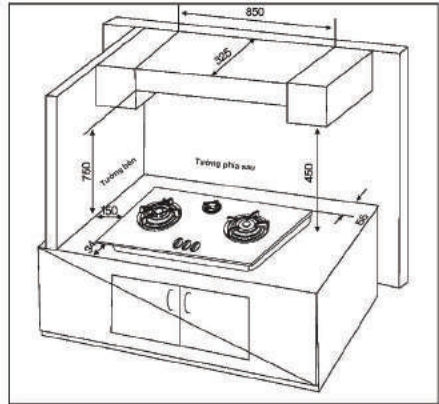
Nếu quý khách muốn vứt bỏ sản phẩm này trong tương lai, vui lòng **KHÔNG** vứt bỏ cùng rác thải sinh hoạt. Hãy thải loại thiết bị ở nơi tập kết phế thải của địa phương nếu có thể.

Sản phẩm này tuân thủ quy định về Hạn chế vật chất nguy hiểm RoHS.

5 HƯỚNG DẪN LẮP ĐẶT

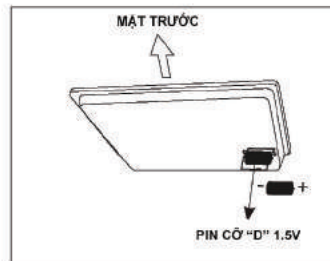
Hướng dẫn lắp đặt

- Quý khách hãy yêu cầu người lắp đặt chỉ rõ vị trí khóa van gas và cách khóa van gas trong trường hợp khẩn cấp.
- Cần đảm bảo rằng tất cả các vật liệu đóng gói đều được lấy ra khỏi bếp trước khi sử dụng để tránh việc những vật liệu này bị cháy hoặc bốc khói.
- Tuân thủ các chỉ dẫn về khoảng cách tối thiểu tới bất kỳ bề mặt dễ cháy nào. Các khoảng cách này cần phù hợp với thông tin được ghi trên bảng ghi thông số kỹ thuật và tuân thủ luật phòng cháy chữa cháy của quốc gia.
- Nếu bếp được lắp gần cửa sổ, cần đề phòng để tránh tình trạng rèm cửa bị gió thổi trùm lên bếp dẫn đến nguy cơ hỏa hoạn.
- Khi chọn vị trí lắp đặt bếp, hãy xem xét vị trí bình gas, khả năng nối gas và đường đi của dây điện.
- Nếu phát hiện khe hở xung quanh đường dẫn gas hoặc dẫn điện, cần trám bít khe hở đó lại ngay khi lắp đặt bếp.
- Không lắp đặt bất kì bếp nào khác bên cạnh bếp này.
- Quý khách cần kiểm tra phần bên dưới bếp để đảm bảo rằng không có phần nhô lên nào chạm vào bếp. Đảm bảo rằng mặt bàn bếp phải vững chắc và có thể chịu được sức nặng của bếp.
- Sau khi lắp kệ bếp vào vị trí, kiểm tra xem kệ bếp đã bằng phẳng từ trái qua phải và từ trước ra sau hay chưa.
- Nên tạo các lỗ thông khí cho kệ bếp để nâng cao khả năng thông khí. Cần làm vệ sinh bếp để tránh tình trạng lỗ thông khí bị tắc nghẽn.
- Khi lắp máy hút mùi trên bếp, cần tham khảo thêm phần chỉ dẫn lắp đặt của nhà sản xuất liên quan đến sản phẩm này. Tuy nhiên, theo nguyên tắc chung, cần duy trì khoảng trống tối thiểu theo chiều đứng là 750mm (30") giữa mặt bếp và mặt bên dưới của tủ bếp, tường giả hoặc lỗ thông hơi. (Hình 6)
- Ngăn tủ lắp phía trên bếp không được có chiều sâu lớn hơn 325mm (13") (Hình 6)
- Gờ của mặt cắt đặt bếp phải cách mép tường tối thiểu 55mm. (Hình 6)



Hình 6 (đơn vị: mm)

Nếu khoảng trống giữa các bức tường xung quanh và phần ngoại biên của bếp nhỏ hơn 200mm, các bức tường này phải được bảo vệ bằng vật liệu chống cháy. Phần bảo vệ này phải có chiều cao tối thiểu là 450mm tính từ vị trí ngang với mặt bếp. Những bề mặt nằm ngang phía trên mặt bếp, cách bếp nhỏ hơn 750mm theo chiều đứng cũng phải được bảo vệ tương tự.



Sản phẩm	Bếp ga âm
Mã hàng	EGT7221EK
Trọng lượng tịnh	10.2Kg
Trọng lượng	12Kg
Kích thước sản phẩm (mm)	720x420x130 (RxSxC)
Kích thước bao bì (mm)	810x495x205 (RxSxC)
Kích thước mặt cắt (mm)	675x365xR62.5

HỌC ĐỂ PIN

1. Khi pin cạn hay bộ đánh lửa yếu đi, quý khách nên thay pin mới.

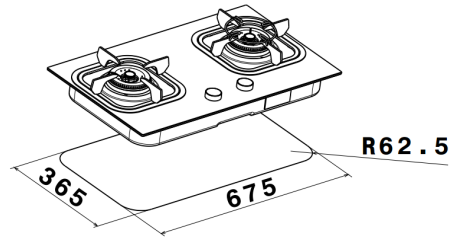
2. Học để pin nằm ở vị trí như trên hình. Hãy lắp pin vào đúng cực như hình vẽ.

Cảnh báo: Vui lòng tháo pin ra khỏi học để pin nếu không sử dụng bếp trong một thời gian dài.

Quy trình lắp đặt

- Trước khi lắp đặt, kiểm tra xem vị trí lắp đặt có đáp ứng được những yêu cầu về khoảng cách cần thiết đối với các bề mặt làm bằng vật liệu dễ cháy hay không; và có cần thiết phải lắp các phần bảo vệ cho các bề mặt gần bên như đã quy định hay không. Hãy đảm bảo rằng đường dẫn gas có thể kết nối tới vị trí đặt bếp.
- Cắt mặt đặt bếp theo mẫu bìa cứng có sẵn trong thùng đựng bếp hoặc theo kích thước ghi ở hình 7.
- Lấy bếp ra khỏi thùng cactong.
- Lắp bếp vào vị trí mặt cắt. (Hình 7)
- Nối ống dẫn gas với đầu nhận gas của bếp. Mở khóa gas và kiểm tra rò rỉ gas bằng bọt xà phòng tại các đầu nối.
- Kiểm tra bếp: ấn nút điều chỉnh xuống và xoay đến vị trí mức lửa lớn nhất để kích hoạt bộ phận đánh lửa điện. Bếp sẽ đánh lửa. Điều chỉnh ngọn lửa cho phù hợp bằng cách xoay nút điều chỉnh. Trong lần đầu sử dụng, quý khách có thể phải đánh lửa vài lần (để làm sạch không khí từ hệ thống cung cấp gas). Quý khách không cần điều chỉnh bất cứ bộ phận nào của bếp. Nếu có bất kỳ vấn đề gì xảy ra, vui lòng tham khảo mục Những chỉ dẫn bảo hành hoặc Sơ đồ phát hiện lỗi.
- Đảm bảo rằng người sử dụng phải có sách hướng dẫn sử dụng. Nếu những quy trình lắp đặt trên không đem lại kết quả mong muốn, cần liên hệ với các trung tâm dịch vụ được ủy quyền bởi Electrolux để nhận được sự hỗ trợ đặc biệt.

MODEL: EGT7221EK



Hình 7 (đơn vị: mm)

Kích thước mặt cắt được nhìn từ phía trước, nghĩa là bảng điều khiển nằm ở phía trước.

Nếu khoảng trống giữa các bức tường xung quanh/bên sau và phần ngoại biên của bếp nhỏ hơn 200mm, các bức tường này phải được bảo vệ bằng vật liệu chống cháy. Phần bảo vệ này phải có chiều cao tối thiểu là 450mm tính từ vị trí ngang với mặt bếp. Những bề mặt nằm ngang phía trên mặt bếp, cách bếp nhỏ hơn 750mm theo chiều đứng cũng phải được bảo vệ tương tự.



Kết nối gas

Bình đựng gas hoặc hệ thống dẫn gas phải tuân thủ theo các tiêu chuẩn của địa phương. Chỉ được sử dụng van an toàn áp suất thấp cho loại bếp này.

Kết nối mềm

Ống dẫn gas (chiều dài tối đa 1m) phải được lắp đặt sao cho có thể nhìn thấy toàn bộ chiều dài của ống. Ống dẫn gas cần được bảo vệ bằng một kẹp giữ cổ ống X (Hình 8). Vòng đệm nối phải được lắp khít.

Quy trình kiểm tra rò rỉ gas bằng bọt xà phòng

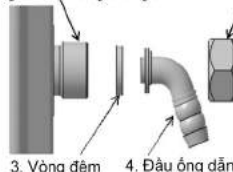
- Tắt nút điều chỉnh gas và mở bình gas hoặc van đường ống dẫn gas.
- Dùng phương pháp kiểm tra rò rỉ gas bằng bọt xà phòng tại mỗi cơ nối. (Hình 8)
- Bọt xà phòng xuất hiện chứng tỏ bếp bị rò rỉ gas, do đó cần siết chặt lại cơ nối.
- Lắp lại việc kiểm tra rò rỉ gas bằng bọt xà phòng.



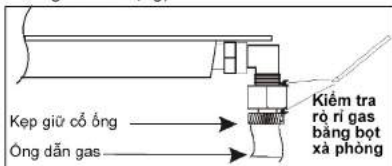
CẢNH BÁO LẮP ĐẶT:

Kiểm tra bảng ghi thông số kỹ thuật để đảm bảo rằng bếp phù hợp với hệ thống cung cấp gas sẵn có. Vui lòng làm theo các bước sau để thực hiện lắp ráp khớp nối và kiểm tra rò rỉ gas:

1. Đầu ống nối, ren ống thẳng 1/2"
2. Đai ốc



- Cần sử dụng tất cả các bộ phận (2, 3, 4) và phải lắp ráp các bộ phận đó lại với nhau
- Kiểm tra rò rỉ gas bằng bọt xà phòng (tham khảo sách hướng dẫn sử dụng)



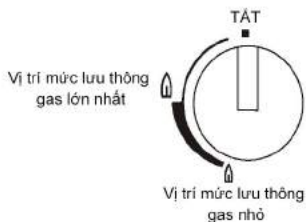
Hình 8

CHỈ DẪN AN TOÀN QUAN TRỌNG

Sau khi hoàn thành việc nối gas, quý khách cần thực hiện kiểm tra rò rỉ gas bằng bọt xà phòng tại mỗi cơ nối. Đây là việc làm bắt buộc.

Đánh lửa

1. Kiểm tra để đảm bảo rằng hệ thống cung cấp gas đã sẵn sàng và được lắp đặt với bộ phận cơ nối cần thiết và phù hợp.
2. Tắt tất cả các núm điều chỉnh.
3. Thiết bị này được trang bị một khóa an toàn để kiểm soát dòng lưu thông gas. Khi chấm tròn của núm điều chỉnh chỉ vào các vị trí sau đây trên bảng điều khiển, điều đó có nghĩa là:



Để tắt lửa, xoay núm điều chỉnh về phía bên phải cho đến khi nghe tiếng “tách” của khóa an toàn.

4. Để đánh lửa, giữ núm vận và ấn xuống trong vài giây, xoay núm về vị trí mức lưu thông gas lớn nhất. Với mẫu bếp có cấp nhiệt điện, giữ núm vận ấn xuống trong 5 – 8 giây, nếu không lửa sẽ tắt.
5. Nếu bếp không lên lửa ngay lần đầu, lặp lại bước 4.
6. Nếu ngọn lửa tắt đột ngột, lặp lại bước 4.
7. Nếu muốn sử dụng bếp liên tục ngay sau khi tắt bếp, vui lòng đợi 10 giây trước khi bật lửa lại.
8. Mỗi bếp sẽ có bộ phận đánh lửa riêng.
9. Khi bếp đã đánh lửa, xoay núm vận để điều chỉnh ngọn lửa tùy theo nhu cầu. Quý khách có thể xoay núm vận để điều chỉnh mà không cần ấn xuống.

Bếp có thể được trang bị một thiết bị kiểm soát ngọn lửa, do đó nếu bếp không lên lửa 15 giây sau khi bộ phận đánh lửa hoạt động, hãy tắt bếp và đợi ít nhất 1 phút trước khi thử bật bếp lại một lần nữa.

Sử dụng bếp đúng cách

- Để có thể tận dụng tối đa hiệu quả của bếp, quý khách chỉ nên sử dụng xoong nồi có kích thước đáy phù hợp với miệng bếp, do đó ngọn lửa sẽ không lan rộng ra khỏi đáy nồi. (Bảng 1)
- Một điều cần lưu ý khác, ngay khi chất lỏng bắt đầu sôi, nên hạ thấp ngọn lửa để giữ cho chất lỏng sôi vừa đủ.



LƯU Ý

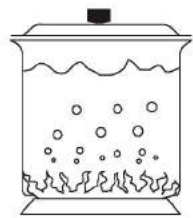
Xoong chảo có đáy rộng cho phép nấu nhanh hơn so với loại có đáy hẹp. Luôn sử dụng loại nồi phù hợp với loại thực phẩm được nấu.

Đặc biệt, khi nấu thức ăn lỏng không nên dùng xoong chảo quá nhỏ vì thức ăn có thể bị tràn ra ngoài.

Nếu cần nấu nhanh, không nên sử dụng xoong chảo có kích thước quá lớn.

Nên sử dụng xoong chảo có kích thước phù hợp với miệng bếp để có thể tận dụng hiệu quả của nó, vì thế sẽ tiết kiệm lượng gas tiêu thụ. (Hình 12)

Lưu ý rằng cần đậy nắp nồi khi đun sôi và ngay khi chất lỏng bắt đầu sôi, cần hạ thấp ngọn lửa để chất lỏng sôi ở mức vừa đủ.



Hình 12

Bếp	Đường kính tối thiểu	Đường kính tối đa
Bếp lớn	160mm	240mm

Mặt kính

- Đối với các vết bẩn cứng đầu, quý khách có thể sử dụng miếng tẩy rửa mềm hoặc chất tẩy rửa dạng kem để lau chùi và làm sạch kỹ càng. Chất tẩy rửa dùng cho đồ gia dụng trắng men có thể được sử dụng để tẩy mặt kính. Hãy đọc kỹ hướng dẫn sử dụng trước khi dùng. Không nên dùng các chất tẩy rửa có tính ăn mòn cao, miếng chùi rửa bằng sắt hoặc sáp đánh bóng để chùi rửa mặt kính.
- Không được dùng mặt kính như bàn bếp (để bằm, thái, chặt đồ ăn).

- Nếu cần thiết, dùng que diêm hoặc bàn chải để thông tắc.
- Sau khi vệ sinh, đảm bảo rằng các nắp đậy phải được lắp lại vào đúng vị trí.
- Khi lắp lại các nắp chia lửa và nắp đậy sau khi vệ sinh, phải thật cẩn thận để đảm bảo đầu đánh lửa không bị va chạm. Đầu đánh lửa sẽ gãy nếu bị va chạm và dẫn đến các hư hỏng liên quan đến chức năng đánh lửa của bếp.



Nắp chia lửa và nắp đậy

- Quý khách có thể nhấc nắp chia lửa và nắp đậy ra khỏi bếp để vệ sinh riêng.
- Đảm bảo rằng các nắp chia lửa và nắp đậy được lau khô hoàn toàn sau khi vệ sinh hoặc sau khi đồ ăn bị tràn xuống bếp.
- Khi vệ sinh các nắp chia lửa, đảm bảo rằng các lỗ chia lửa và các lỗ thông hơi khác không bị tắc nghẽn.

LƯU Ý

Khi lắp lại các nắp chia lửa và nắp đậy, đảm bảo rằng chúng được lắp đúng vị trí.

Khắc phục sự cố

Hiện tượng	Nguyên nhân	Cách khắc phục
Bếp không lên lửa...	Có không khí trong ống dẫn gas Đường ống bị nghẽn Bộ phận đánh lửa không hoạt động Hết pin Bếp không được lắp đặt đúng cách	Làm sạch ống gas Tìm nguyên nhân và vệ sinh đường ống Kiểm tra các điện cực Thay pin Lắp lại các mặt bếp vào đúng vị trí
Bếp đánh lửa ngược trở lại với phun...	Quá nhiều bụi bẩn làm đầy ống dẫn của bếp Áp suất gas quá cao	Tháo bếp ra và vệ sinh Kiểm tra van điều áp và điều chỉnh nếu cần thiết
Bếp bị phụt lửa...	Áp suất gas quá cao	Kiểm tra van điều áp và điều chỉnh nếu cần thiết
Bộ phận đánh lửa không hoạt động...	Khoảng cách giữa các điện cực (đầu đánh lửa và vòng chia lửa) quá xa Cơ nối bộ phận đánh lửa bị lỏng Hết pin	Kiểm tra lại khoảng cách, điều chỉnh nếu khoảng cách không nằm trong khoảng 4 – 5mm Kiểm tra cơ nối, thay mới nếu cơ nối bị hư Thay pin mới



CẢNH BÁO

Không sử dụng bình xịt hóa chất ở khu vực xung quanh bếp khi đang sử dụng bếp. Trong điều kiện nhiệt độ cao, một số hóa chất có thể phân hủy tạo thành các chất ăn mòn ảnh hưởng đến đồ đạc trong bếp. Không cất trữ đồ vật làm từ vật liệu dễ cháy trong ngăn kéo tủ hay dưới bếp. Không cất trữ đồ vật trong phạm vi 50mm dưới đáy bếp. Đừng chạm vào bộ phận đánh lửa trong khi đang bật bếp. Khi lắp đặt bếp trên tàu biển hoặc trên xe lưu động, không nên dùng bếp làm lò sưởi.

Thông số kỹ thuật

Loại gas LPG (Khí hóa lỏng)	
 Công suất 3 vòng lửa (max)	4.2 kW
Công suất 1 vòng lửa (min)	1.0 kW
Áp lực gas	30mbar
Nối gas	Ren ống thẳng 0.5 inch (14 ren trên 1 inch)
Pin * Các thông số kỹ thuật được cung cấp bởi nhà máy của Electrolux	1.5V, nguồn điện 1 chiều

Không được tháo rời hay thay thế bất kỳ bộ phận thay thành phần nào của bếp trừ khi đó là sự can thiệp của nhân viên kỹ thuật có tay nghề.

Điều kiện bảo hành

Chúng tôi, Electrolux, cam kết trong vòng 12 tháng kể từ ngày mua, nếu bếp hoặc bất kỳ bộ phận nào của bếp bị hư hỏng do lỗi sản xuất hoặc lỗi về nguyên vật liệu, chúng tôi sẽ sửa chữa và thay thế phụ tùng MIỄN PHÍ bao gồm tiền công, phụ tùng và phí vận chuyển khi đáp ứng các điều kiện sau:

Sản phẩm phải được lắp đặt đúng cách và chỉ sử dụng nguồn điện có cùng tần số như đã được nêu trong bảng ghi thông số kỹ thuật

Chỉ sử dụng sản phẩm cho các mục đích sử dụng trong gia đình và phải tuân thủ các chỉ dẫn của nhà sản xuất.

Không để những người không được sự ủy quyền của chúng tôi bảo trì, sửa chữa hoặc tháo lắp sản phẩm.

Tất cả các dịch vụ trong điều kiện bảo hành phải được thực hiện bởi Trung tâm Dịch vụ Electrolux. Bất kỳ sản phẩm hay phụ tùng hư hỏng sau khi được thay thế sẽ thuộc quyền sở hữu của Electrolux.

Điều kiện bảo hành trên là một bổ sung để bảo vệ các quyền lợi hợp pháp cho quý khách.

Điều kiện bảo hành trên không bao gồm trường hợp cần bảo trì máy, ví dụ như vệ sinh máy.

Nhà sản xuất không chịu bất kỳ trách nhiệm nào cho việc không tuân thủ đúng các hướng dẫn cho việc cài đặt, bảo trì và sử dụng thiết bị này.

Nếu quý khách cần bất kỳ sự hỗ trợ kỹ thuật nào, hoặc muốn có thêm thông tin về sản phẩm của chúng tôi, vui lòng liên hệ với Trung tâm Dịch vụ Khách hàng theo các địa chỉ sau:

Thái Lan

ĐT: (+66 2) 725 9000

Email: customercareshai@electrolux.com

Electrolux Thailand Co., Ltd.

14th Floor, Electrolux Building

1910 New Phetchaburi Road,

Bangkok, Huai Khwang Bangkok 10310

INDONESIA

ĐT : (+62 21) 522 7180

Email: customer-care@electrolux.co.id

PT. Electrolux Indonesia

Gedung Plaza Kuningan

Menara Utara 2nd Floor,

Suite 201, Jl. HR Rasuna Said

kav C 11-14, Karet Setiabudi

Jakarta Selatan 12940

SINGAPORE

ĐT: (+65) 6727 3699

Email : customer-care.sin@electrolux.com

Electrolux S.E.A. Pte Ltd.

1 Fusionopolis Place,

#07-10 Galaxis, West Lobby Singapore 138522.

PHILIPPINES

Dịch vụ chăm sóc khách hàng (miễn phí):

1-800-10-845-CARE 2273

ĐT: (+63 2) 845 CARE 2273

Email: wecare@electrolux.com

Electrolux Philippines, Inc.

10th Floor, W5th Avenue Building

5th Avenue Corner 32nd Street

Bonifacio Global City,

Taguig Philippines 1634

ĐT văn phòng: (+63 2) 737- 4757

MALAYSIA

Dịch vụ chăm sóc khách hàng:

1300-88-11-22

ĐT: (+60 3) 7843 5999

Email: malaysia.customer-care@electrolux.com

Electrolux Home Appliances Sdn. Bhd.

Unit T2-7, 7th Floor, Tower 2 , Jaya33 Hyperoffice,

No. 3, Jalan Semangat, Seksyen 13,

46100 Petaling Jaya, Selangor

