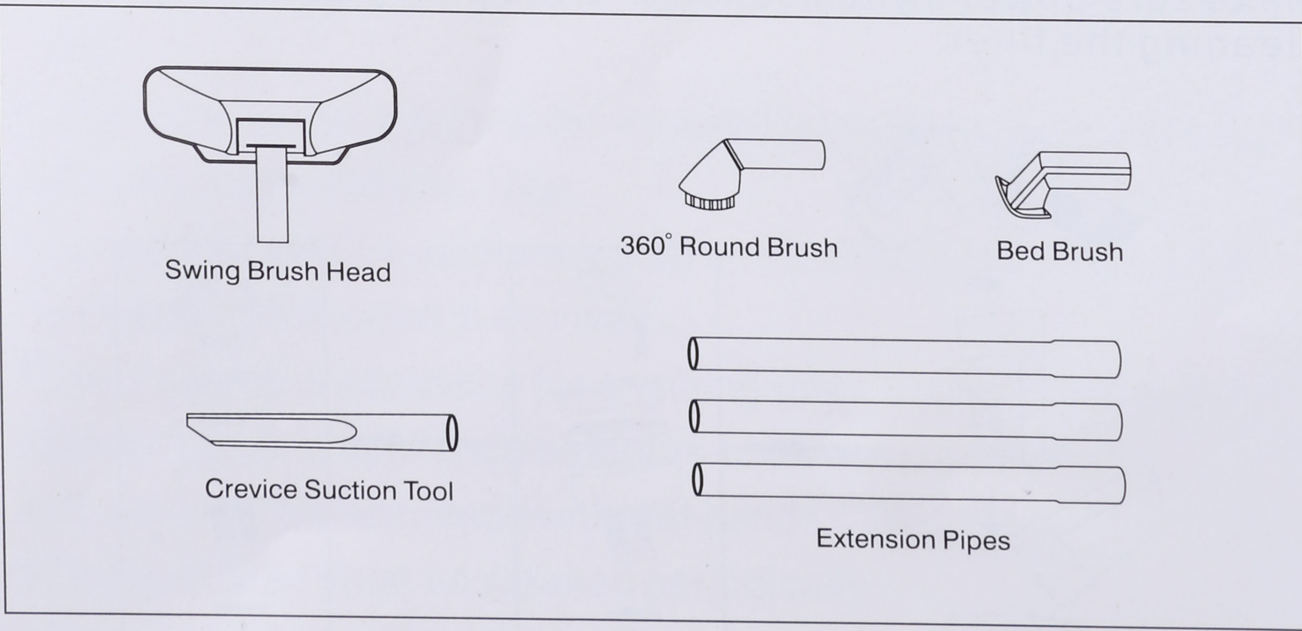
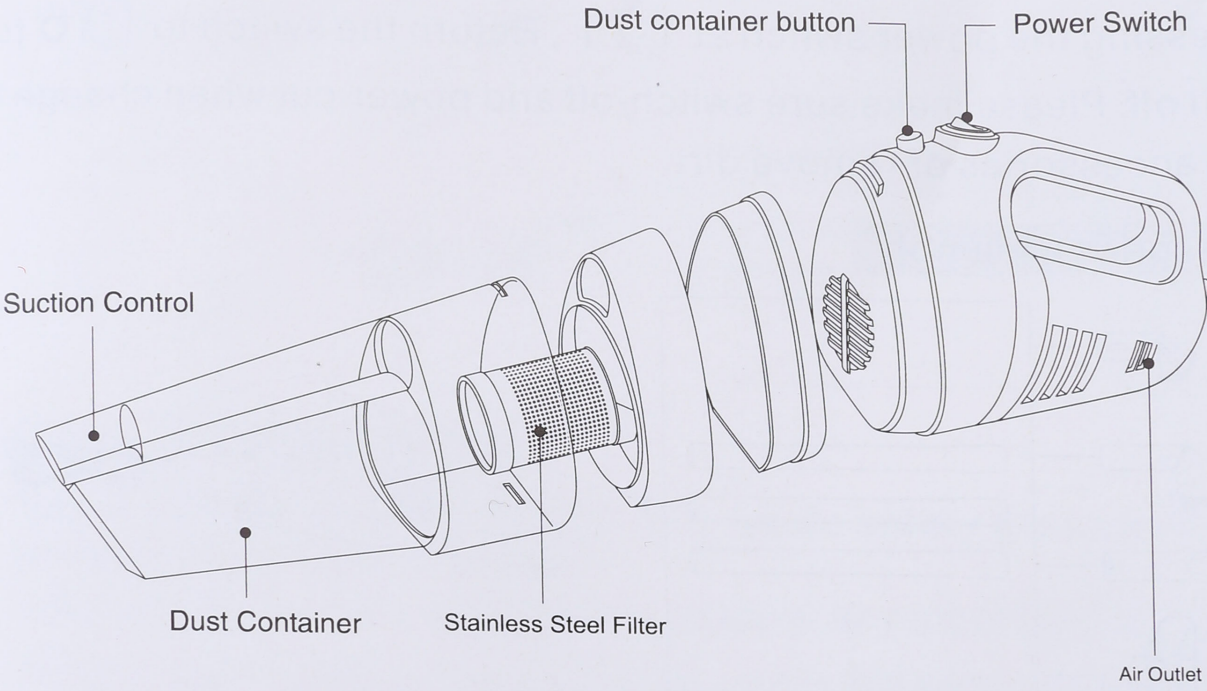


Thanks for purchasing SVC1020 Pro-Cyclone™ System Series Vacuum cleaner products, Hope you can enjoy it! Thanks again for your choice!





# SHIMONO PRO-Cyclone Rocket Vacuum Cleaner

Model: SVC1020

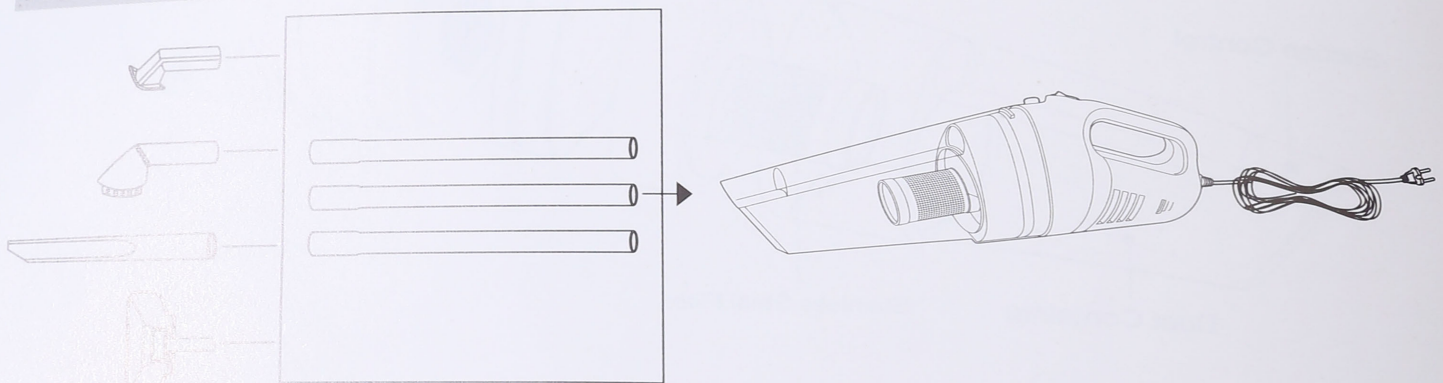
Voltage: 220-240V 50/60Hz

Power: 600W

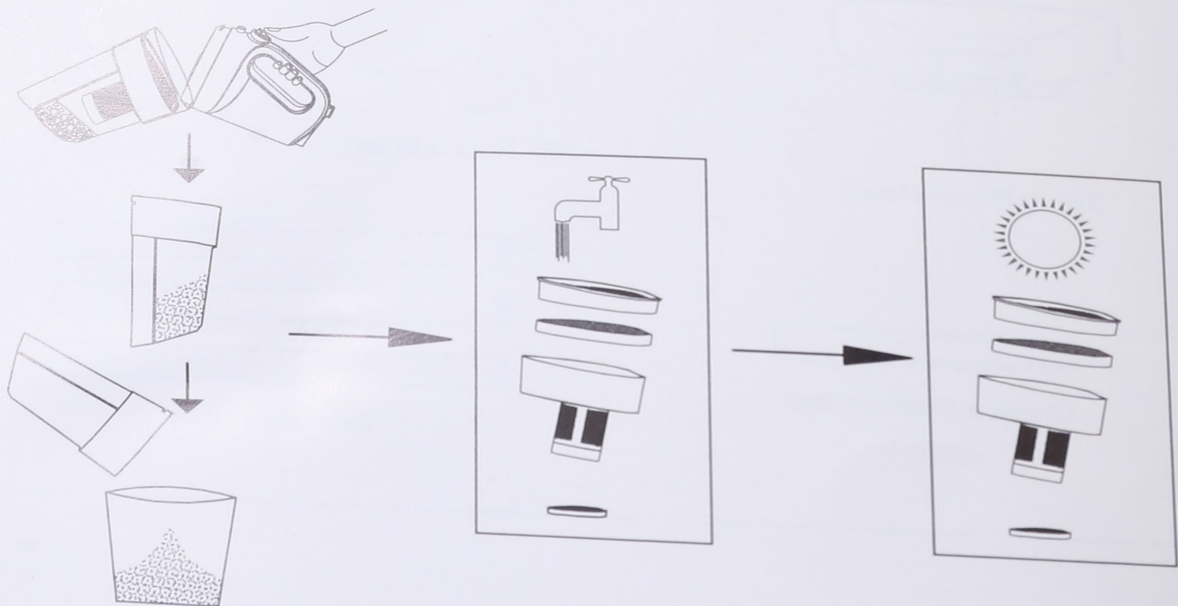
## Vacuum cleaner Use

Attach the according tool to the appliance, then operate the vacuum by pressing the power switch at  I, Return the switch to  O to switch off. Please make sure switch-off and power-cut when change & clean accessories or remove dirt.

## Accessories assembly

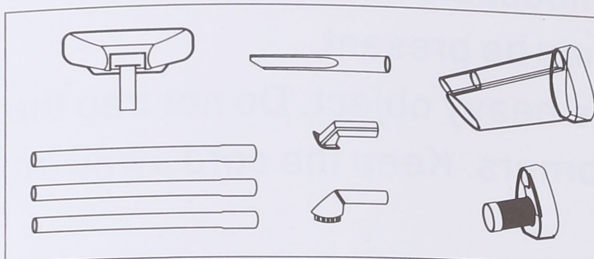


Make sure power switch cut off and the plug pulled out when cleaning the filter.

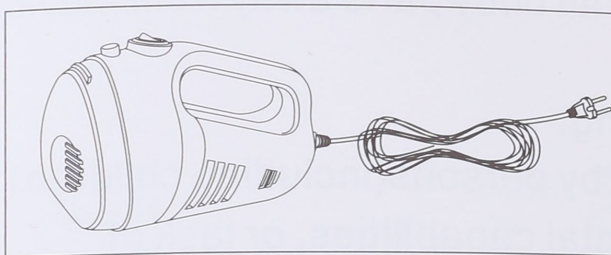


## Accessories cleaning

Do not use corrosive liquid to wipe or clean machine and accessories.



These accessories can be cleaned by water but no immersing in water. Otherwise, there might be damage or malfunction. It must be dried before using.



Keep these parts with electricity far away any liquid. Do not use wet hand to operate the appliance. Only wipe with dry cloth, otherwise, it may cause electric shock or the problem of personal safety.

## SAFETY INFORMATION

**When using electrical appliances, basic safety precautions should always be followed.**

- Do not immerse the appliance in water or any other liquids.
- Close supervision is required when using this product near children.
- Never leave the appliance within reach of children.
- Repairs to electrical appliances should only be performed by a qualified electrician. Improper repairs may place the user at serious risk.
- This appliance is intended for household use only and should not be used for industrial purposes.
- Do not operate this appliance after a malfunction, or after being dropped or damaged in any way.
- Do not use this appliance for anything other than its intended use.
- Do not use this appliance outdoors or on wet surfaces.
- Do not use this appliance with wet hands.
- The dust filter must be cleaned periodically.
- Do not pick up hard or sharp objects such as glass, nails etc.