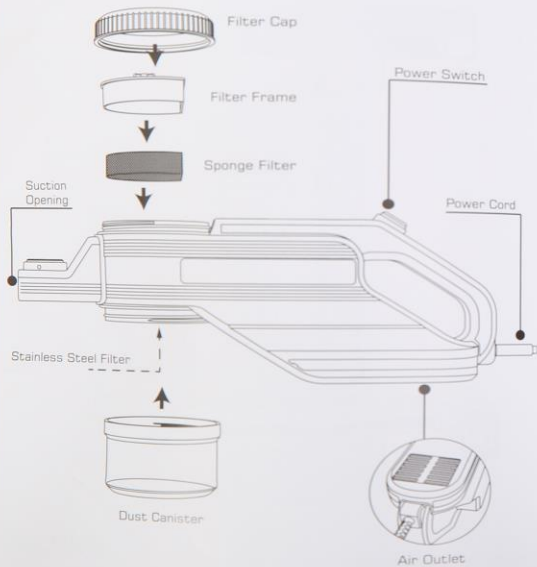
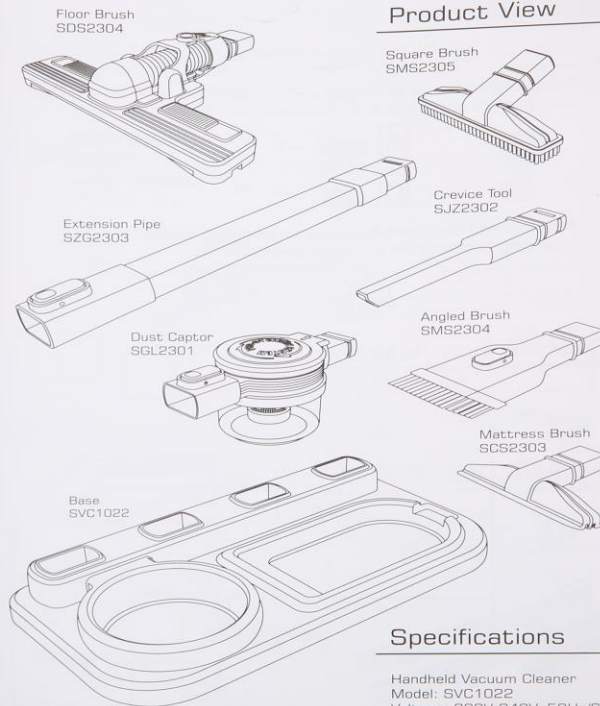


Thank you for purchasing SVC1022 Pro-Cyclone™ System vacuum cleaner. This user manual will walk you through the operational instructions, safety precautions and any other important informations that you will need to know before using SVC1022.



Product View

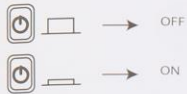


Specifications

Handheld Vacuum Cleaner
 Model: SVC1022
 Voltage: 220V-240V; 50Hz/60Hz
 Power: 600W
 Max Vacuum Degree: 13000Pa

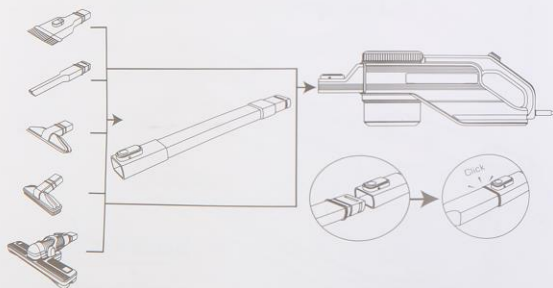
Basic Operation

Attach the appropriate tools to the appliance, then press to switch it on, press it again to switch off.



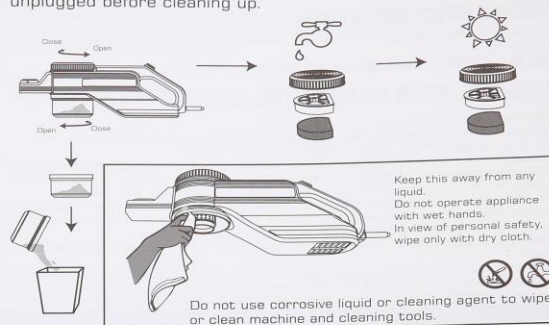
Please make sure the appliance is switched off before changing accessories or clearing dirt.

Cleaning Tools Assembly



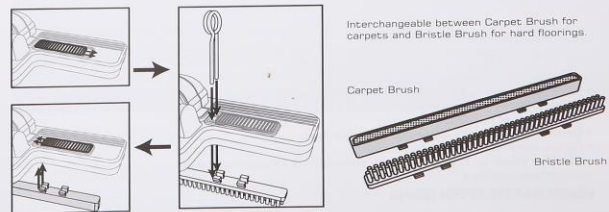
Cleaning Up

Please make sure the appliance is switched off and unplugged before cleaning up.

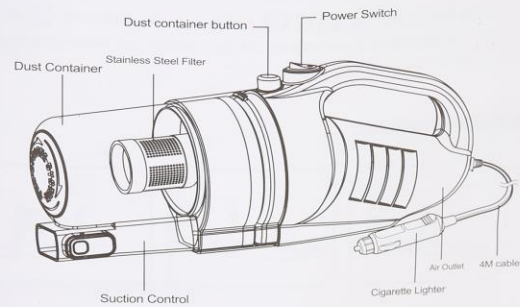


Cleaning tools can be wiped and cleaned by wet cloth but no immersing in water as it may cause damage. Cleaning tools must be completely dry before putting into operation.

Floor Brush Variation



Thanks for purchasing SVC1019-C Pro-Cyclone™ System Series Vacuum cleaner products. Hope you can enjoy it! Thanks again for your choice!



Car Vacuum Cleaner
 Model: SVC1019-C
 Voltage: DC12V
 Power: 100W
 Max Vacuum Suction: 3500 Pa

Vacuum cleaner Use

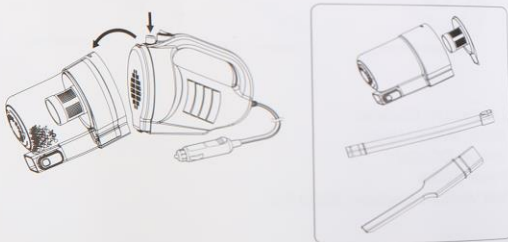
Attach the according tool to the appliance, then operate the vacuum by pressing the power switch at . Return the switch to to switch off. Please make sure switch-off and power-cut when change & clean accessories or remove dirt.

Accessories assembly



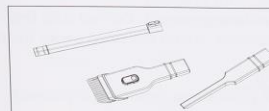
Filter cleaning

Make sure power switch cut off and the plug pulled out when cleaning the filter.

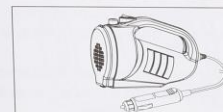


Accessories Cleaning

Do not use corrosive liquids to wipe or clean the machine and accessories.



These accessories can be cleaned by water but no immersing in water. Otherwise, there might be damage of malfunction. It must be dried before using.



Keep these parts with electricity far away any liquid. Do not use wet hand to operate the appliance. Only wipe with dry cloth, otherwise, it may cause electric shock or the problem of personal safety.

SAFETY INFORMATION

When using electrical appliances, basic safety precautions should always be followed.

- Do not immerse the appliance in water or any other liquids.
- Close supervision is required when using this product near children.
- Never leave the appliance within reach of children.
- Repairs to electrical appliances should only be performed by a qualified electrician. Improper repairs may place the user at serious risk.
- This appliance is intended for household use only and should not be used for industrial purposes.
- Do not operate this appliance after a malfunction, or after being dropped or damaged in any way.
- Do not use this appliance for anything other than its intended use.
- Do not use this appliance outdoors or on wet surfaces.
- Do not use this appliance with wet hands.
- The dust filter must be cleaned periodically.
- Do not pick up hard or sharp objects such as glass, nails etc.