

Vacuum cleaner

User manual

VS15A60****

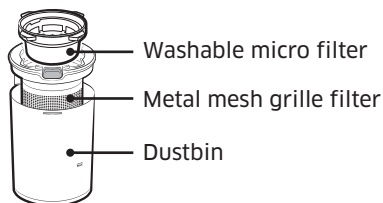
- Before operating this unit, please read the instructions carefully.
- For indoor use only.



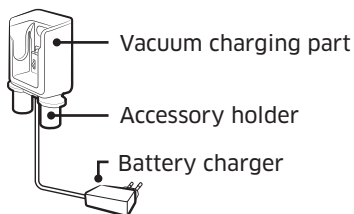
SAMSUNG



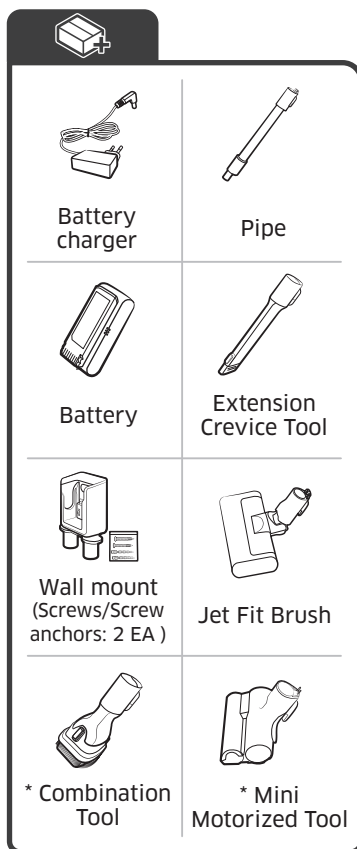
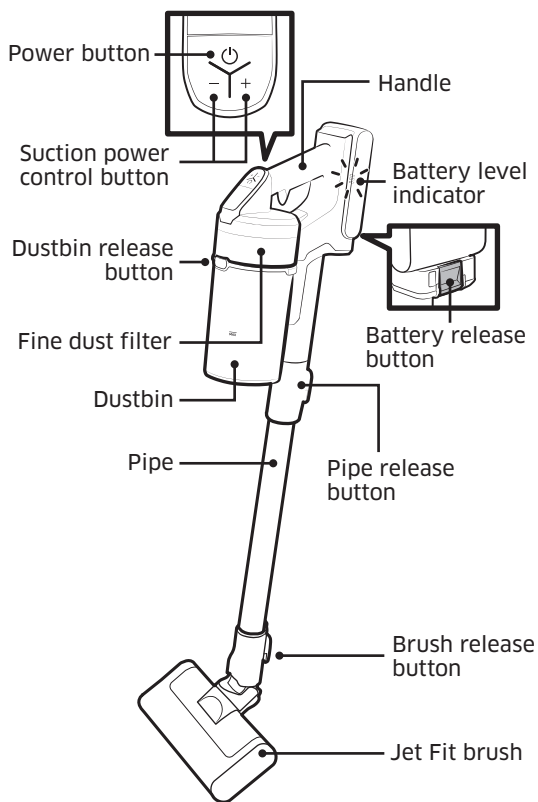
Dustbin & Filter



Wall mount



Main



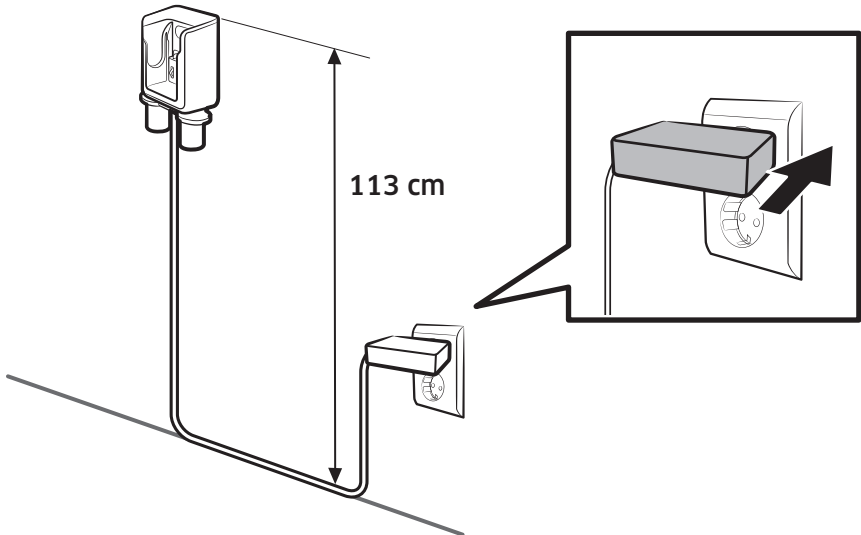
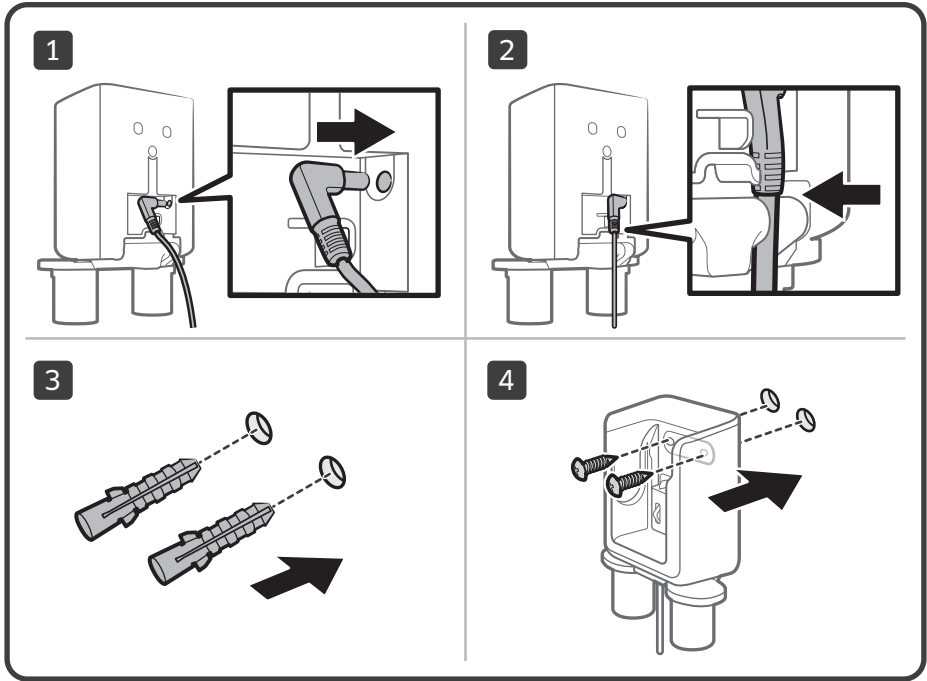
*Accessories may differ depending on the models.

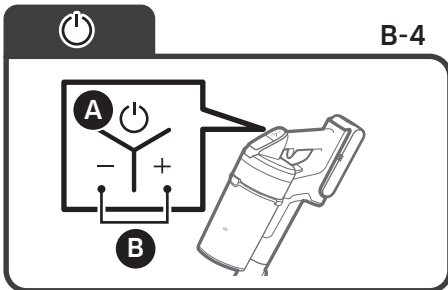
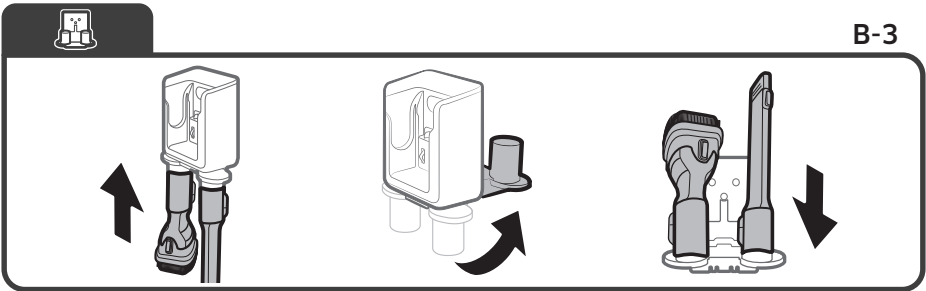
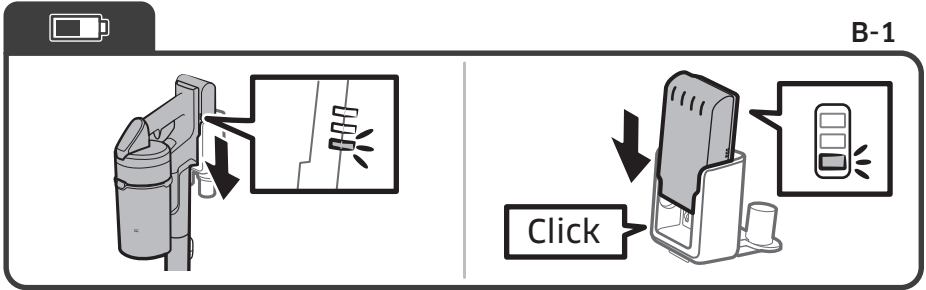
Battery Spec

VS15A60**** Series: Lithium-ion 21.6 V, 1800 mAh, 6 cell



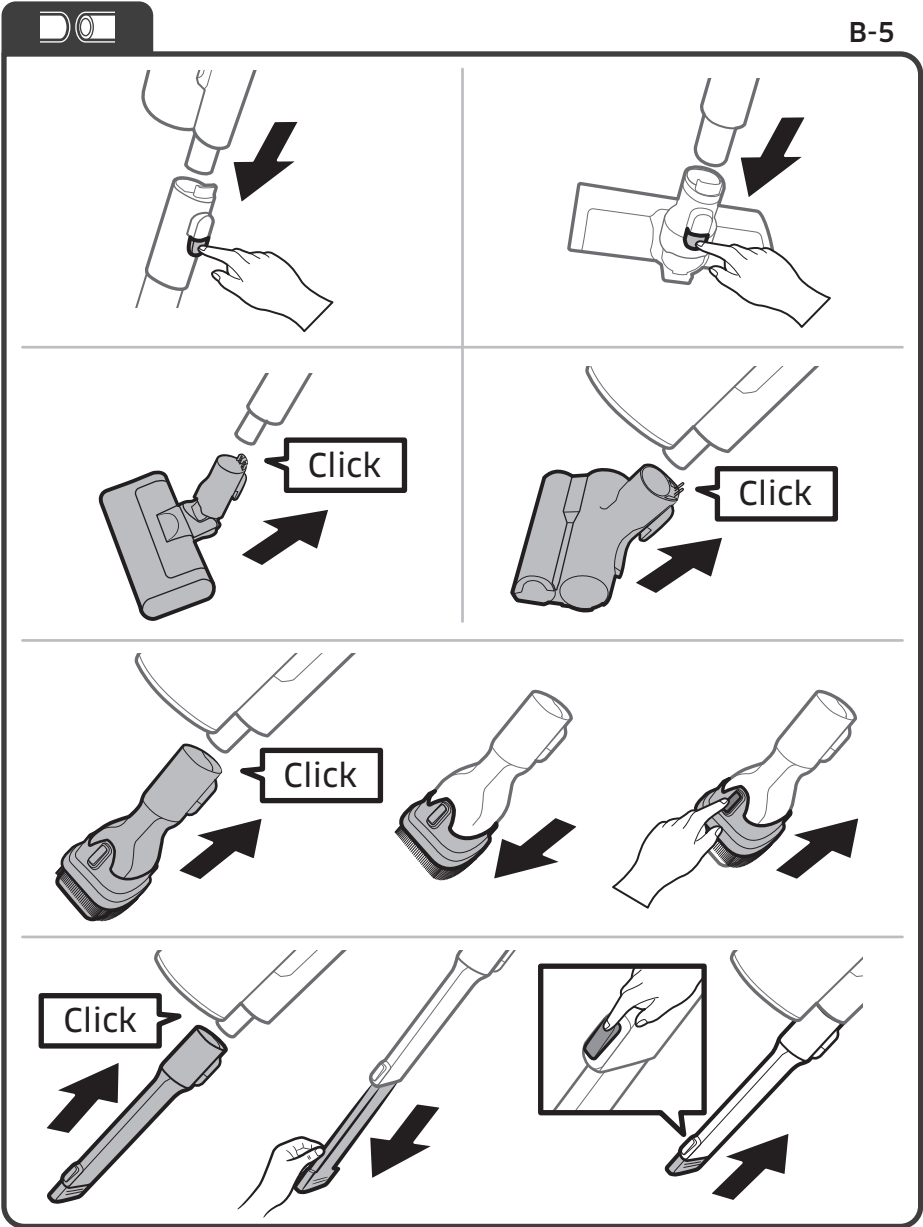
A

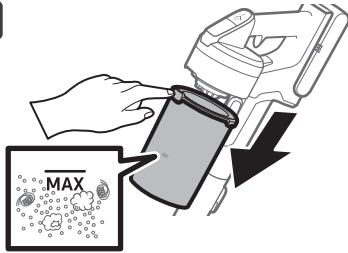
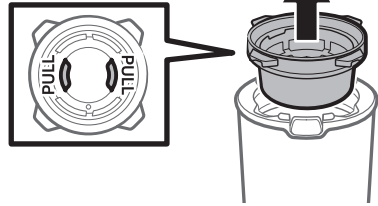
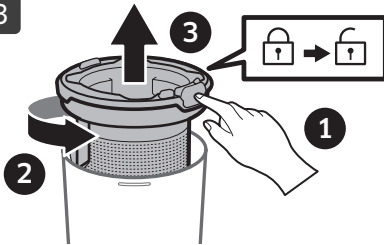
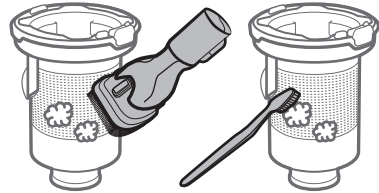
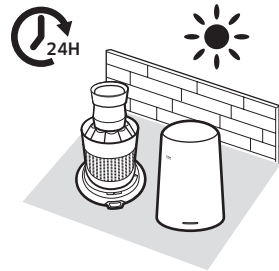
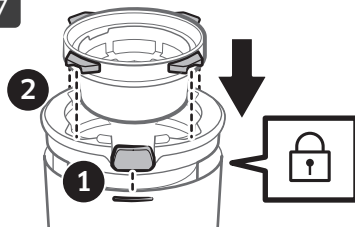
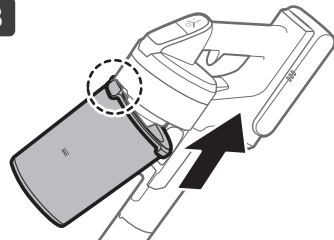







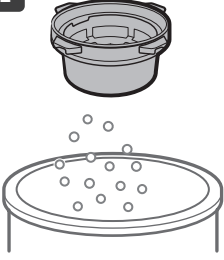
B-5

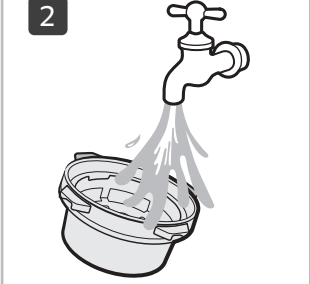


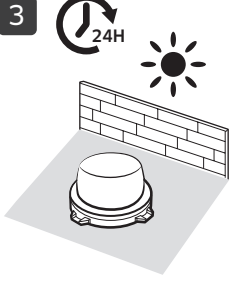
**C****C-1****1****2****3****4****5****6****7****8**




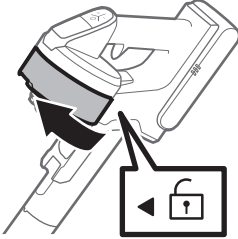
 C-2

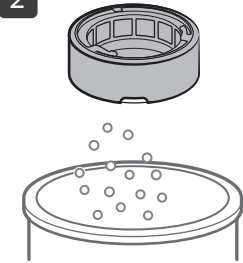
1 

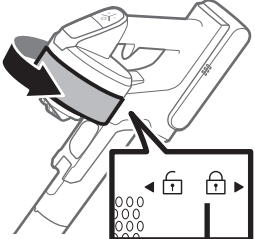
2 


3 

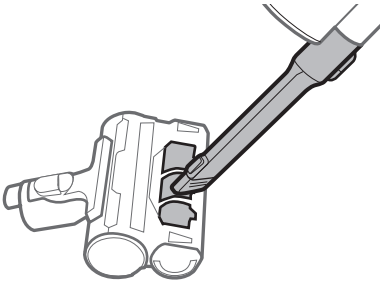
 C-3


1 

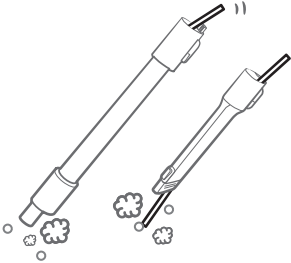
2 

3 

 C-4

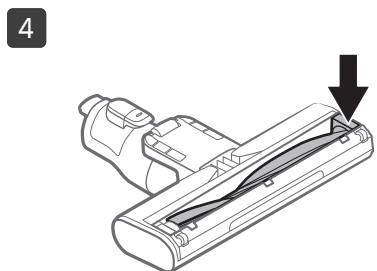
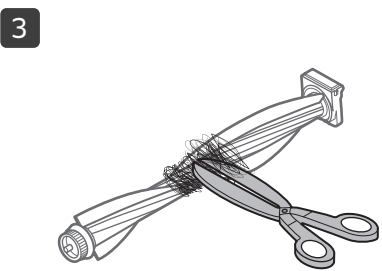
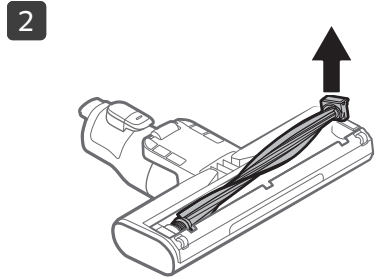
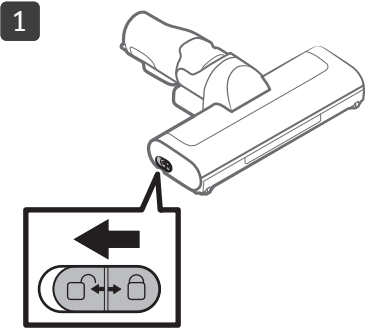


 C-5





C-6



Operation and maintenance

A. Installation

The wall mount installation should be set so the top of the wall mount is 113 cm from the floor.

CAUTION

- Install the wall mount on a hard concrete wall.
 - If you install the wall mount into drywall and there is no stud present, use the drywall anchors to secure the charger.

NOTE



- Please refer to the QR code for detailed information on the installation of the wall mount.

B. Using the vacuum cleaner

B-1 Charging

- When the battery level indicator is at its lowest level and blinks charge the battery.
- When charging the vacuum, make sure the connection part of the wall mount is correctly connected.
- The vacuum cleaner cannot be used while it is charging.

• Using the wall mount

- Make sure the back of the battery is correctly placed onto the vacuum charging part.
- Check if the battery level indicator is displayed while charging.
- The battery level indicator blinks while charging. When charging is complete, the blinking stops and the light level dims.

• Charging with a desk charger

- Charge the battery at the desk charger.
- Push the battery in firmly.
- Check if the battery level indicator is displayed while charging.

CAUTION

- Before ejecting the battery, the product must be turned off. (If the battery is forcibly ejected while the vacuum is operating, the vacuum can malfunction.)
- Be careful not to drop the battery. If you do, you can injure yourself or damage the battery.

B-2 Ejecting the battery & Re-inserting the battery

- Press the battery release button at the rear of the handle to eject the battery.
- Push the battery to the end until you hear it click.

B-3 Storing the accessories

- When accessories are disassembled to be stored, dust may fall from the suction part of the vacuum cleaner.
- After cleaning, operate in MAX mode for 10 seconds.
- Place the desk charger on a desk after folding the accessory holders and assemble the accessories to the holders as shown in the picture.
- If the Extension Crevice Tool is inserted first, the accessory holders can be folded more easily.

B-4 Operating the vacuum cleaner

- **A:** Power button
 - When pressing the power button, the vacuum cleaner starts operation in 'MID' mode.
- **B:** Suction power control button
 - You can control the suction power of the vacuum cleaner.
 - **[+]** button: Increases suction power.
 - **[-]** button: Decreases suction power.

Operation and maintenance

B-5 Disassembling the accessories

• Disassembling the accessories

- When disassembling the pipe, press the release button at the rear of the pipe.
- Before disassembling the accessories, operate in MAX mode for more than 10 seconds to remove foreign matter remained in the accessories.
- When disassembling the brush, press the release button at the rear of the brush.

• Jet Fit Brush

- Use to clean various floor conditions at home, it is also suitable to clean carpet.

• Mini Motorized Tool

- Use to clean bedding.

• Combination Tool

- Use to remove dust from curtains, furniture, sofas, etc.

• Extension Crevice Tool

- Use to remove dust in grooves of window frames, chinks, corners, etc.

C. Maintaining the vacuum cleaner

CAUTION

- Before cleaning the vacuum cleaner, turn it off.
- When the dustbin or filter is filled with dust, the vacuum cleaner may stop due to the overheating prevention device of the motor.
- You should clean the dustbin or filter before it becomes completely full (Max sign).

NOTE



- For detailed information, please refer to the QR code.

C-1 Emptying and cleaning the dustbin

- Remove the dust on the metal mesh grille filter with the combination tool.
 - Do not pull the rubber attached to the metal mesh grille filter.

- After emptying the dustbin, clean it and dry in the shade.
 - When heat is applied, product malformation may occur.

C-2 Washable micro filter

- To maintain the best performance of the filter, remove the dust on the filter frequently and clean the filter with water once a month.
 - After cleaning, dry completely for more than 24 hours in the shade before use.
 - When heat is applied, product malformation may occur.

C-3 Fine dust filter

- To maintain the best performance of the filter, remove the dust on the filter frequently and clean the filter with water once a month.
 - After cleaning, dry completely for more than 24 hours in the shade before use.
 - When heat is applied, product malformation may occur.

NOTE

When assembling, turn the filter until the line below the lock image is not visible.

C-4 Mini Motorized Tool

C-5 Extension Crevice Tool / Pipe

C-6 Jet Fit Brush

If the foreign matter is not removed, use a scissors to remove it.

NOTE

- If a cloth or other foreign matter is vacuumed up and tangled with the spinning brush (drum), the spinning brush will stop working to protect the brush motor. After cleaning the brush, turn the power off and then on again.
- If a brush does not work after cleaning, turn the power off and then on again.
- When cleaning the brush, be careful not to catch your fingers in the fold of the brush.

Safety information

- Before operating the appliance, please read this manual thoroughly and retain it for your reference.
- Because the following operating instructions cover various models, the characteristics of your vacuum cleaner may differ slightly from those described in this manual.

Caution/Warning symbols used

WARNING

Indicates that a danger of death or serious injury exists.

CAUTION

Indicates that a risk of personal injury or material damage exists.

Other symbols used

NOTE

Indicates that the following text contains additional important information.

Failure to meet these requirements could cause damage to the internal parts of the vacuum and void your warranty.

General

- Read all instructions carefully. Before switching the vacuum on, make sure that the voltage of your electricity supply is the same as that indicated on the rating plate at the rear of the handy vacuum cleaner (battery contact side).

WARNING

Do not use the vacuum cleaner on a wet rug or floor.

- Close supervision is necessary when any appliance is used by or near children. Do not allow the vacuum cleaner to be used as a toy. Do not allow the vacuum cleaner to run unattended at any time. Use the vacuum cleaner only for its intended purpose as described in these instructions.
- Do not use the vacuum cleaner without a dustbin.
- Empty the dustbin before it is full to maintain the highest efficiency.
- Do not use the vacuum cleaner to pick up matches, live ashes or cigarette butts. Keep the vacuum cleaner away from stoves and other heat sources. Heat can deform and discolor the plastic parts of the unit.
- Avoid picking up hard, sharp objects with the vacuum cleaner as they may damage the vacuum's parts.
- Do not block the suction or the exhaust port.
- To avoid damage, remove the plug by grasping the plug, not by pulling the cord.
- This appliance is not intended for use by persons (including children) with reduced physical, sensory or mental capabilities, or lack of experience and knowledge, unless they have been given supervision or instruction concerning use of the appliance by a person responsible for their safety. Children should not clean or perform maintenance on the vacuum without adult supervision.

Safety information

- Children should be supervised to ensure that they do not play with the appliance.
- The battery must be removed from the main unit before cleaning or performing maintenance on the vacuum.
- The use of an extension cord is not recommended.
- If your vacuum cleaner is not operating correctly, switch off the power supply and consult an authorized Samsung service agent.
- If the supply cord is damaged, it must be replaced by the manufacturer or its service agent or a similarly qualified person to avoid any electrical hazards.
- Do not use to suction up water.
- Do not immerse in water for cleaning.
- Please contact Samsung or a Samsung service center for a replacement if one is needed.

Wall mount

- Do not modify the polarized plug to fit a non-polarized outlet or extension cord.
- Do not use outdoors or on wet surfaces.
- Unplug the wall mount from the outlet when not in use and before servicing.
- Use only the wall mount supplied by the manufacturer to recharge.
- Do not use with a damaged cord or plug.
- Do not pull or carry by the cord, use the cord as a handle, close a door on the cord, or pull the cord around sharp edges or corners. Keep the cord away from heated surfaces.
- Do not use extension cords or outlets with inadequately rated current.
- Do not charge a non-rechargeable battery.
- Do not unplug by pulling on the cord. To unplug, grasp the plug, not the cord.
- Do not mutilate or incinerate batteries as they will explode at high temperatures.
- Do not attempt to open the wall mount. Repairs should be only carried out by a qualified Samsung service center.

- Do not expose the wall mount to high temperatures or allow moisture or humidity of any kind to come into contact with the wall mount.

Vacuum cleaner

- Do not pick up hard or sharp objects such as glass, nails, screws, coins, etc.
- Do not use without a filter in place. When servicing the unit, never put fingers or other objects into the fan chamber in case the unit accidentally turns on.
- Do not put any objects into openings. Do not use with any openings blocked. Keep openings free of dust, lint, hair, and anything that may reduce air flow.
- Do not pick up toxic materials (chlorine bleach, ammonia, drain cleaner, etc.).
- Do not pick up anything that is burning or smoking, such as cigarettes, matches, or hot ashes.
- Do not use the vacuum cleaner in an enclosed space filled with vapours given off by oil based paint, paint thinner, moth proofing substances, flammable dust, or other explosive or toxic vapours.

Installation

If you have a problem with installing the wall mount, contact a Samsung service center.

NOTE

Injury or product malfunction from not installing the wall mount may not be compensated.

Safety information

Power related

WARNING

- When installing the wall mount, do not bend the battery charger with excessive force or put heavy objects on the battery charger.
 - Otherwise, electric shock or fire may occur.
- If there is dust, water, etc. on a pin or contact point of the power plug, wipe them carefully.
 - Otherwise, abnormal operation or electric shock may occur.
- Do not pull the cord and do not touch the plug with wet hands.
- Do not plug the wall mount into a power source with the incorrect voltage. Do not plug the wall mount into a multi-plug outlet or power strip. Do not leave the battery charger lying on the floor. Attach the cord close to a wall.
 - Otherwise, electric shock or fire may occur.
- Do not use a damaged power plug, battery charger, or loose power outlet.
 - Otherwise, electric shock or fire may occur.
- If the battery charger is damaged, have a Samsung authorized service center replace the battery charger with a new battery charger.
 - Otherwise, electric shock or fire may occur.

Operation

WARNING

- Do not touch the charging terminal of a vacuum or wall mount with chop sticks, metal screw drivers, forks, knives, etc.
 - Otherwise, product malfunction or electric shock may occur.
- Make sure that the battery terminals of the wall mount do not come into contact with a conductor such as a bracelet, watch, metal rod, nail, etc.
- Make sure that any liquid such as water or juice is not allowed to enter the vacuum cleaner or the wall mount.
 - Otherwise, electric shock or fire may occur.

- Do not use the wall mount for other purposes.
 - Otherwise, severe damage to the wall mount or fire may occur.
- Do not vacuum liquid, blades, pins, embers, etc. during cleaning.
 - Otherwise, abnormal operation or product damage may occur.
- Do not step on the product body or strike the product.
 - Otherwise, an injury or product damage may occur.
- The brush and air outlet should not be blocked during cleaning.
 - Otherwise, product malfunction or fire may occur due to overheating of the product.
- This product is intended for household use only. Do not use this product for heavy duty cleaning, commercial cleaning, industrial cleaning, or cleaning outdoors, especially on stone or cement. Do not use to pick up chalk powder in and around billiard tables or in hospital aseptic rooms.
 - Otherwise, abnormal operation or product damage may occur.
- Do not use the product near heating appliances such as heaters, or in areas containing combustible sprays, or flammable materials.
 - Otherwise, fire or product deformation may occur.
- Before using the product, make sure that the filters are correctly inserted.
 - Otherwise, dust can enter the motor inside the main body and cause product damage. Suction force can decrease.
- If there is a gas leak or combustible spray is used, do not touch the power outlet and open the window for ventilation.
 - Otherwise, an explosion or fire may occur.
- If the vacuum makes a strange sound or emits a smell or smoke, turn off the vacuum immediately, and then contact a Samsung service center.
 - Otherwise, electric shock or fire may occur.

Safety information

CAUTION

- Do not use the product near combustible material. Also do not use:
 - In a place where a burning candle or desk lamp is placed on the floor.
 - In an area where an unattended place heater is turned on or an area in which there are unextinguished embers in a fireplace, in an ashtray, etc.
 - In a place where there are combustible materials such as gasoline, alcohol, thinner, ashtrays with unextinguished cigarettes, etc.
- Do not allow children to cling to or push the wall mount.
 - Personal injury, product and floor damage may occur.
- When you need to store the vacuum cleaner for a short time during cleaning, lay the vacuum on the floor.
 - Otherwise, the vacuum cleaner may fall and could cause an injury or severe product damage.
- Do not charge the product near a window, heater, toilet, bathroom, etc.
- After using the vacuum cleaner, you should store it in the wall mount or lay it safely on the floor.
 - Otherwise, the product may fall and could cause an injury or severe product damage.
- Do not store the vacuum cleaner by leaning it against a wall or table.
- Do not use the vacuum cleaner for other than its intended purpose. (Do not allow children to ride on or play with the product.)
 - An injury or product damage may occur.
- Before plugging in or unplugging the wall mount, turn off the vacuum and make sure that the pins of the power plug do not come into contact with your hands.
 - Otherwise, fire or electric shock may occur.
- When using the vacuum cleaner, be careful not to hurt yourself on the moving or spinning parts.
 - Be careful not to suction body parts into a brush of the vacuum cleaner (Hair, etc.).
- When cleaning the wall or ceiling, use both hands.
- Use both hands to clean with the vacuum. If you clean with one hand, you can damage your wrist or drop the vacuum and cause an injury or damage the vacuum.
- When assembling the vacuum, be careful not to catch your fingers or hands in the movement fold of the handle.
- Do not use the vacuum cleaner on objects that can be easily scratched (monitors, stainless steel appliances, etc.).
- Do not store the vacuum cleaner inside a car.
- Do not use water to clean the vacuum cleaner when in use.
- Use the vacuum cleaner in dry places only.
- Do not use the vacuum cleaner in wet places or on water.
- Do not use the vacuum cleaner to pick up spilled beverages or pet waste.
- Do not use the vacuum cleaner in direct sunlight or high heat.

Safety information

Maintenance

WARNING

- Before removing foreign matter inside the vacuum, turn off the vacuum cleaner first.
 - If the vacuum is on while you are removing the foreign matter, you can hurt yourself or damage the vacuum.
- When cleaning the exterior of the product, turn off the product first and then wipe it with a dry towel. Do not spray water directly onto the product or wipe it with volatile materials such as benzene, thinner, or alcohol.
 - If water gets into the product and an error occurs, turn off the product and contact a Samsung service center.
- After unplugging the product, clean the wall mount.
- When cleaning the washable parts, do not use alkaline detergent, acid, industrial detergent, air freshener, acetic acid, etc.
 - Otherwise, product damage such as plastic breakage, deformation, discoloration, printing deterioration, etc. may occur.

CAUTION

- Do not push the vacuum cleaner while it is stored in the wall mount.
 - Personal injury, floor and product damage may occur.

Washable Parts		Dustbin, washable micro filter, fine dust filter, metal mesh grille filter, dry cloth
Acceptable detergent	Neutral	Dish washing detergent
	Alkaline	Lox, mold cleaner, etc.
Prohibited detergent	Acid	Paraffin oil, an emulsifier, etc.
	Industrial cleaners	NV-I, PB-I, Opti, alcohol, acetone, benzene, thinner, etc.
	Air freshener	Jet spray air fresheners (coffee flavor, herb, etc.)
	Oils	Animal oils, vegetable oils
	Etc.	Edible acetic acid, vinegar, glacial acetic acid, etc.

Notes and cautions

Battery usage

NOTE

- If your vacuum cleaner does not work after you charge the battery, change the battery. If it still does not work with the new battery, contact a Samsung service center.
- When you purchase a battery in a Samsung service center, check for the genuine Samsung logo on the battery (**SAMSUNG**) and the battery name (VS15A60**** Series: VCA-SBTA60)

CAUTION

- Do not disassemble the battery or the wall mount.
 - Do not apply heat to the battery and do not put the battery in a fire.
 - As the battery is manufactured only for this product, do not use the battery for other electronic appliances or other purposes.
 - Removing the battery during operation may cause product malfunction.
 - If the battery is removed while the vacuum cleaner motor is operating, the battery may not work for 30 seconds after being re-attached for safety reasons.
 - Battery charging time and usage time may shorten with increased battery use. When the battery no longer charges or runs down quickly, replace the exhausted battery with a new one.
 - Use only the wall mount and batteries provided by the manufacturer.
 - Before inserting the battery, confirm that the battery is being inserted in the correct direction and orientation.
 - When discarding a dead battery, put it into a battery collection box for recycling.
 - If you are not going to use your vacuum cleaner for a long time, detach the battery from the vacuum.
- When attaching the battery to the vacuum, insert it until you hear a click. This assures that the battery is firmly attached.
 - Otherwise, the battery may fall and could cause product damage or injury.
 - Do not drop or strike the battery or subject it to a sudden shock.
 - Do not disassemble the battery and make sure that you do not create a short circuit across the plus (+) and minus (-) terminals.
 - Leaks from battery cells can occur under extreme usage or temperature conditions. If the liquid gets on your skin, wash the affected area quickly with water. If the liquid gets into your eyes, flush them immediately with clean water for a minimum of 10 minutes. Seek medical attention.
 - To protect the motor and battery, the vacuum cleaner may not operate when the temperature is lower than 5 °C or higher than 45 °C.

Notes and cautions

Operation

NOTE

- If excessive force is applied to a brush or foreign matter is caught in the spinning brush (drum), the brush may stop working to protect the motor or vacuum. Turn the vacuum off, remove the foreign matter, and then turn the vacuum on. If the vacuum does not start, turn it off and then on again.
- Static electricity may occur depending on the humidity, temperature, or floor material, etc. in your home. If it happens repeatedly, contact a Samsung service center.
- Please charge the battery fully:
 - Before using a newly purchased battery for the first time or if you haven't used the battery for a long time.
 - When the battery level indicator is on the lowest indication and blinks.
- If you are not going to use the vacuum for a long period of time or you're going to be away from home for a long period of time, unplug the wall mount, and then detach the wall mount from the battery. When the battery is not being charged and not being used, it will slowly discharge.
- When the battery level is low, recharge it. If the level of the battery remains low for a long period of time, it can cause the performance of the battery to degrade.

CAUTION

- When the spinning brush (drum) inside a brush is working, do not touch the brush.
 - Otherwise, your hand can be caught and it may cause an injury.
- Do not use the vacuum cleaner on items that can be scratched (TV and monitor screens, etc.)

Maintenance

NOTE

- Sometimes the wheel of a brush can scratch the floor. Before using the vacuum cleaner, check the status of the wheels of the brush.
 - If there is foreign matter on the wheel of the brush which cannot be removed easily, contact a Samsung service center.

CAUTION

- Storing the vacuum cleaner in sunlight for long hours may cause parts of the vacuum to deform or discolor. Therefore, after cleaning the parts of the vacuum cleaner, dry them in the shade.
- Do not clean the brush of the vacuum cleaner with water. Cleaning it with water can cause the brush to deform or discolor.
- Before cleaning the wall mount, you must unplug the wall mount.
- If you notice a continuous reduction in suction or the vacuum cleaner overheats abnormally, replace the fine dust filter.
- After cleaning <a dustbin>, <a metal mesh grille filter>, or <a washable micro filter> with water, dry in the shade.
 - When heat is applied, product malformation may occur.

Troubleshooting

Before calling for service, review the problems and solutions below. If none of the suggested solutions resolve your problem, please visit our website at www.samsung.com or call Samsung Customer Care. Note that you will be charged for any service calls in which no defects were found.

Problems	Solutions
The vacuum cleaner does not work.	<ul style="list-style-type: none">• Check the battery level and charge the battery.• Check whether the product is turned off, and then press the power button to turn it on.• Check whether the pipe, dustbin or brush is blocked.• Check whether the washable micro filter is inserted correctly.• If the vacuum has not been used for a long time, charge the battery.• If the battery dies, replace the battery.
Suction force decreases suddenly and the vacuum makes a vibrating sound.	<ul style="list-style-type: none">• Check whether a brush, dustbin or pipe is clogged with foreign matter and remove it.• Check whether the pipe, dustbin is fully filled with dust. If it is, empty the bin.• Check whether the filter is dirty. If it is, clean the filter.
The vacuum cleaner cannot be charged.	<ul style="list-style-type: none">• Check if foreign matter (dust) is on the charging terminal. Remove any foreign matter with a cotton swab or soft cloth.• Check if the vacuum cleaner is turned on, and then check if the LED of the battery level indicator is turned on.
The spinning brush (drum) inside a brush does not work.	<ul style="list-style-type: none">• When the spinning brush stuck display is turned on, turn off the vacuum and check whether the brush is clogged with foreign matter. If so, remove the foreign matter and restart the vacuum.• Check if the vacuum cleaner is turned on and then turn it off and on again.<ul style="list-style-type: none">- For the Jet Fit Brush, if the vacuum overheats, it may take about 30 minutes for the motor to cool.

Troubleshooting

Problems	Solutions
An odor is coming from the air outlet or filter of the vacuum cleaner.	<ul style="list-style-type: none">• Empty the dustbin and clean the filters frequently.<ul style="list-style-type: none">- As your vacuum cleaner is a new product, it may have a slight odor for the first 3 months after purchase.- If you use the vacuum cleaner frequently, accumulated dirt in the dustbin or dust on the filter may generate an odor.• Replacement filters are available at your local Samsung service agent.
Cleaning is finished but small dust particles come out of the brush.	<ul style="list-style-type: none">• After cleaning, operate the vacuum for 10 seconds or more to suction up the small dust particles.
Vacuum cleaner stops operation during cleaning.	<ul style="list-style-type: none">• As this product has the overheating prevention device of the motor, product will stop operation temporarily for the following conditions.<ul style="list-style-type: none">- When the vacuum operates with a full dustbin.- When the vacuum operates with suction part or brush clogged.- When the Extension Crevice Tool is used for long hours.• After correcting the cause of the problem, turn the product on again. (This case may differ depending on the ambient temperature.)
Static electricity occurs when cleaning a thick and soft mat.	<ul style="list-style-type: none">• Materials of a mat (childcare center mat, noise prevention mat for between floors, etc.) may cause the static electricity.<ul style="list-style-type: none">- Move the brush on a normal floor for a while and clean again, then the static electricity should disappear.

Product specification

English

Model		VS15A60****
Power		100-240 V ~ 50-60 Hz
Rated power consumption		410 W
Battery specification		Lithium-ion 21.6 V, 1800 mAh, 6 cell
Charging time		3.5 hours
Cleaning time (Default: MID)	Handy	Approximately 5 minutes (MAX) / Approximately 20 minutes (MID) / Approximately 40 minutes (MIN)
	Jet Fit brush	Approximately 5 minutes (MAX) / Approximately 18 minutes (MID) / Approximately 27 minutes (MIN)

- Charging and cleaning time may differ depending on the brushes and the conditions of use.

Memo

SAMSUNG

เครื่องดูดฝุ่น

คู่มือผู้ใช้

VS15A60****

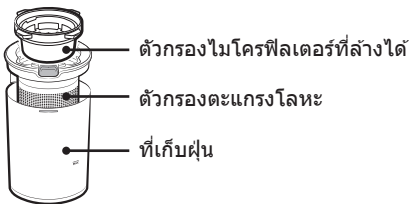
- ก่อนที่จะใช้อุปกรณ์นี้ โปรดอ่านคำแนะนำทั้งหมด
- สำหรับใช้ในอาคารเท่านั้น



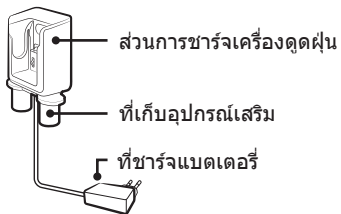
SAMSUNG



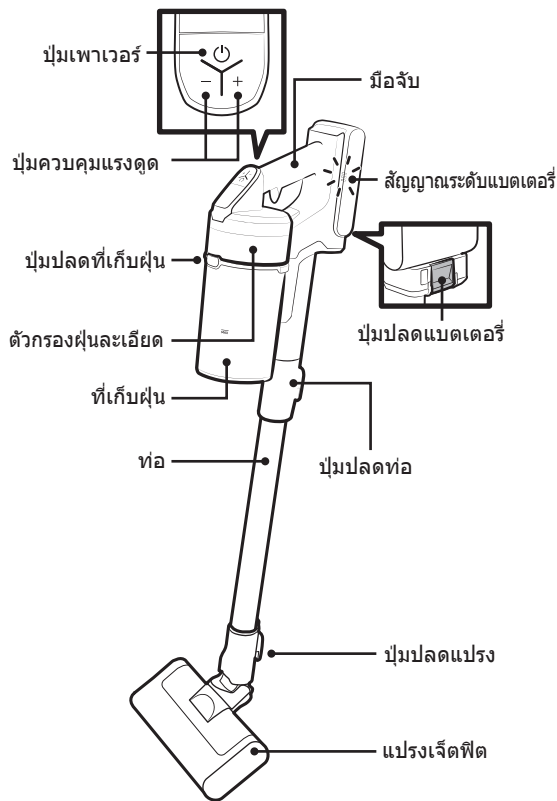
ที่เก็บฝุ่นและตัวกรอง



อุปกรณ์ติดตั้ง



หลัก



*อุปกรณ์เสริมอาจแตกต่างกันไปในแต่ละรุ่น

ข้อมูลจำเพาะของแบตเตอรี่

VS15A60**** ซีรีส์: ลิเทียมไอออน 21.6 โวลต์, 1800 mAh, 6 เซลล์

การทำงานและการบำรุงรักษา

A. การติดตั้ง

การติดตั้งชุดติดผนังควรกำหนดให้ส่วนบนสุดของชุดติดผนังสูงกว่าพื้น 113 ซม.

⚠️ ข้อควรระวัง

- ติดตั้งชุดติดผนังกับผนังคอนกรีตที่มีความแข็งแรง
 - ถ้าคุณติดตั้ง ชุดติดผนัง กับผนังเบา และไม่มีคานอ้อยให้ใช้ทุกสำหรับผนังเบาเพื่อยึด เครื่องชาร์จ

📌 หมายเหตุ



- โปรดดูรหัส QR สำหรับข้อมูลโดยละเอียดเกี่ยวกับการติดตั้งชุดติดผนัง

B. การใช้เครื่องดูดฝุ่น

B-1 การชาร์จ

- เมื่อสัญญาณแสดงระดับแบตเตอรี่อยู่ที่ระดับต่ำสุดและกะพริบให้ชาร์จแบตเตอรี่
- ขณะที่ชาร์จเครื่องดูดฝุ่นโปรดตรวจสอบว่าส่วนเชื่อมต่อของชุดติดผนังมีการเชื่อมต่ออย่างถูกต้อง
- เครื่องดูดฝุ่นจะไม่ทำงานขณะที่ชาร์จ
- การใช้ชุดติดผนัง**
 - ตรวจสอบว่าด้านหลังของแบตเตอรี่อยู่ในตำแหน่ง ที่ถูกต้องของส่วนการชาร์จเครื่องดูดฝุ่น
 - ตรวจสอบว่าสัญญาณแสดงระดับแบตเตอรี่ ปรากฏอยู่ขณะที่ชาร์จ
 - สัญญาณระดับแบตเตอรี่จะกะพริบขณะที่ชาร์จ เมื่อชาร์จเสร็จแล้ว ไฟจะหยุดกะพริบและระดับแสงจะหรี่ลง
- การชาร์จด้วยเครื่องชาร์จบนโต๊ะ**
 - ชาร์จแบตเตอรี่กับเครื่องชาร์จบนโต๊ะ
 - ดันแบตเตอรี่เข้าที่ให้แน่นหนา
 - ตรวจสอบว่าสัญญาณแสดงระดับแบตเตอรี่ปรากฏอยู่ขณะที่ชาร์จ

⚠️ ข้อควรระวัง

- ก่อนที่จะนำแบตเตอรี่ออก ผลิตภัณฑ์จะต้องปิดอยู่ (ถ้ามีการนำแบตเตอรี่ออกขณะที่เครื่องดูดฝุ่นทำงาน เครื่องดูดฝุ่นอาจทำงานผิดปกติ)
- โปรดระวังอย่าทำแบตเตอรี่ร่วงหล่น หากทำร่วงหล่น อาจทำให้เกิดการบาดเจ็บหรือทำให้แบตเตอรี่เสียหาย

B-2 การนำแบตเตอรี่ออกและการใส่แบตเตอรี่

- กดปุ่มปลดแบตเตอรี่ที่ด้านหลังของมือจับเพื่อนำแบตเตอรี่ออก
- ดันแบตเตอรี่จนสุดและไต่ยืนยันเสียงคลิก

B-3 การจัดเก็บอุปกรณ์เสริม

- เมื่อถอดอุปกรณ์เสริมออกเพื่อจัดเก็บ อาจมีฝุ่นละอองร่วงหล่นจากส่วนช่องดูดของเครื่องดูดฝุ่น
- หลังจากทำความสะอาดแล้ว ให้ใช้งานในโหมดสูงสุดเป็นเวลา 10 วินาที
- วางเครื่องชาร์จบนโต๊ะไว้บนโต๊ะหลังจากพับที่ใส่อุปกรณ์เสริม และประกอบอุปกรณ์เสริมเข้ากับที่ใส่ตามที่ปรากฏในภาพ
- ถ้าใส่หัวดูดสำหรับร่องกอน จะทำให้สามารถพับที่ใส่อุปกรณ์เสริมได้ง่ายขึ้น

B-4 การใช้งานเครื่องดูดฝุ่น

- A:** ปุ่มเพาเวอร์
 - เมื่อกดเปิดเครื่อง เครื่องดูดฝุ่นจะเริ่มทำงานในโหมด 'ปานกลาง'
- B:** ปุ่มควบคุมแรงดูด
 - คุณสามารถควบคุมแรงดูดของเครื่องดูดฝุ่นได้
 - ปุ่ม [+]: เพิ่มแรงดูด
 - ปุ่ม [-]: ลดแรงดูด

การทำงานและการบำรุงรักษา

B-5 การถอดประกอบอุปกรณ์เสริม

• การถอดประกอบอุปกรณ์เสริม

- เมื่อถอดประกอบท่อ ให้ถอดปุ่มปลดที่ด้านหลังของท่อ
- ก่อนที่จะถอดประกอบอุปกรณ์เสริม ให้ใช้งานในโหมดสูงสุดเป็นเวลามากกว่า 10 วินาทีเพื่อจัดสิ่งแปลกปลอมที่เหลืออยู่ในอุปกรณ์เสริมออกก่อน
- เมื่อถอดประกอบแปรง ให้กดปุ่มปลดที่ด้านหลัง ของแปรง

• แปรงเจ็ดฟีด

- ใช้ทำความสะอาดพื้นแบบต่างๆ ในบ้าน นอกจากนี้ ยังเหมาะสำหรับการทำความสะอาดพรม

• หัวมอเตอร์ขนาดเล็ก

- ใช้ทำความสะอาดที่นอน

• หัวอเนกประสงค์

- ใช้จัดฝุ่นบนผ้าปูที่นอน เพอร์รี่เจอร์ โซฟา เป็นต้น

• หัวดูดสำหรับร่อง

- ใช้จัดฝุ่นในร่องขอบหน้าต่าง รอยแยก มุม ฯลฯ

C. การบำรุงรักษาเครื่องดูดฝุ่น

⚠ ข้อควรระวัง

- ก่อนที่จะทำความสะอาดเครื่องดูดฝุ่น ให้ปิดเครื่องก่อน
- เมื่อที่เก็บฝุ่นหรือตัวกรองมีฝุ่นเต็ม เครื่องดูดฝุ่นอาจหยุดทำงานเนื่องจากอุปกรณ์มีอุณหภูมิความร้อนของมอเตอร์
- คุณควรทำความสะอาดที่เก็บฝุ่นหรือตัวกรองก่อนที่จะเต็ม (สัญญาณสูงสุด)

📌หมายเหตุ



- สำหรับรายละเอียดเกี่ยวกับการทำความสะอาด โปรดดูที่รหัส QR

C-1 การทิ้งและทำความสะอาดที่เก็บฝุ่น

- นำฝุ่นบนตัวกรองตะแกรงโลหะออกโดยใช้ หัวอเนกประสงค์
- ห้ามดึงยางที่ติดอยู่กับตัวกรองตะแกรงโลหะ

- หลังจากทิ้งฝุ่นแล้ว ให้ทำความสะอาดและทิ้งไว้ในที่ร่ม

- เมื่อได้รับความร้อน ผลลัพธ์อาจเสียรูปไป

C-2 ตัวกรองไมโครฟิลเตอร์ที่ล้างได้

- เพื่อรักษาประสิทธิภาพของตัวกรอง ให้ขจัดฝุ่นบนตัวกรองบ่อยๆ และทำความสะอาดตัวกรองด้วยน้ำเดือนละครั้ง

- หลังจากทำความสะอาด ให้ทิ้งไว้ในที่ร่มมากกว่า 24 ชั่วโมงก่อนที่จะใช้

- เมื่อได้รับความร้อน ผลลัพธ์อาจเสียรูปไป

C-3 ตัวกรองฝุ่นละเอียด

- เพื่อรักษาประสิทธิภาพของตัวกรอง ให้ขจัดฝุ่นบนตัวกรองบ่อยๆ และทำความสะอาดตัวกรองด้วยน้ำเดือนละครั้ง

- หลังจากทำความสะอาด ให้ทิ้งไว้ในที่ร่มมากกว่า 24 ชั่วโมงก่อนที่จะใช้

- เมื่อได้รับความร้อน ผลลัพธ์อาจเสียรูปไป

📌หมายเหตุ

เมื่อประกอบ ให้หมุนตัวกรองจนกระทั่งเส้นด้านล่างของภาพลอคไม่ปรากฏให้เห็นอีก

C-4 หัวมอเตอร์ขนาดเล็ก

C-5 หัวดูดสำหรับร่อง/ท่อ

C-6 แปรงเจ็ดฟีด

ถ้าสิ่งแปลกปลอมยังคงอยู่ ให้ใช้กรรไกรเพื่อนำออก

📌หมายเหตุ

- ถ้ามีการดูดผ้าหรือสิ่งแปลกปลอมอื่นและพันกับ แปรงหมุน (ลูกกลิ้ง) แปรงหมุนจะหยุดทำงานเพื่อ ปกป้องมอเตอร์ หลังจากทำความสะอาดแปรงแล้ว ให้ปิดเครื่องและเปิดอีกครั้ง
- ถ้าแปรงไม่ทำงานหลังจากทำความสะอาดแล้ว ให้ปิดเครื่องและเปิดอีกครั้ง
- ขณะที่ทำความสะอาดแปรง ระวังอย่าให้นิ้วติดในช่องของแปรง

ข้อมูลเกี่ยวกับความปลอดภัย

- ก่อนที่จะใช้อุปกรณ์ โปรดอ่านคู่มือนี้โดยละเอียด และเก็บไว้เพื่อการอ้างอิงในอนาคต
- เนื่องจากคำแนะนำในการใช้งานต่อไปนี้เป็นใช้สำหรับอุปกรณ์หลายรุ่น ลักษณะเฉพาะของเครื่องดูดฝุ่นของคุณอาจแตกต่างกันไปจากที่อธิบายในคู่มือนี้เล็กน้อย และสัญญาณคำเตือนบางอย่างอาจไม่มีผลกับคุณ

สัญลักษณ์ข้อควรระวัง/คำเตือนที่ใช้

คำเตือน

แสดงว่ามีอันตรายที่อาจทำให้เสียชีวิตหรือบาดเจ็บร้ายแรง

ข้อควรระวัง

แสดงว่ามีความเสี่ยงที่จะเกิดการบาดเจ็บหรือสิ่งของเสียหาย

สัญลักษณ์อื่นๆ ที่ใช้

หมายเหตุ

แสดงว่าข้อความต่อจากนั้นนี้มีข้อมูลที่สำคัญเพิ่มเติม

หากไม่ปฏิบัติตามข้อกำหนดนี้ อาจทำให้องค์ประกอบภายในเครื่องดูดฝุ่นเสียหายและทำให้การรับประกันเป็นโมฆะ

ทั่วไป

- อ่านคำแนะนำทั้งหมดโดยละเอียด ก่อนที่จะเปิดเครื่องดูดฝุ่น โปรดตรวจสอบว่าแรงดันไฟฟ้าของระบบไฟฟ้าในบ้านตรงกับที่ระบุในแผ่นข้อมูลที่ด้านหลังของเครื่องดูดฝุ่นแบบมีอจับ (ด้านหน้าสัมผัสของแบตเตอรี่)

คำเตือน

ห้ามใช้เครื่องดูดฝุ่นบนพรมหรือพื้นที่เปียก

- จำเป็นต้องมีการดูแลอย่างใกล้ชิดเมื่อมีการใช้อุปกรณ์โดยหรือใกล้กับเด็ก อย่าให้มีการนำเครื่องดูดฝุ่นไปเล่นเป็นของเล่น อย่าให้เครื่องดูดฝุ่นทำงานโดยไม่มีบุคคลควบคุมไม่ว่า ในกรณีใดๆ ใช้เครื่องดูดฝุ่นเฉพาะตามวัตถุประสงค์ที่มีให้ และใช้ตามคำแนะนำเท่านั้น
- ห้ามใช้เครื่องดูดฝุ่นโดยไม่มีที่เก็บฝุ่น
- ทิ้งฝุ่นในที่เก็บฝุ่นก่อนที่จะเติม เพื่อรักษาประสิทธิภาพสูงสุด
- ห้ามใช้เครื่องดูดฝุ่นเพื่อเก็บไม้ขีดไฟ ชีเก๊าที่ยังร้อนหรือก้นบุหรี่ เก็บเครื่องดูดฝุ่นให้พ้นจากเตาไฟและแหล่งความร้อนอื่นๆ ความร้อนอาจทำให้ชิ้นส่วนที่เป็นพลาสติกของเครื่องบิดเบี้ยว ผิดรูปได้
- โปรดอย่าดูดวัตถุที่แข็งและคมด้วยเครื่องดูดฝุ่น เนื่องจากอาจทำให้ชิ้นส่วนของเครื่องดูดฝุ่นเสียหาย
- อย่าปิดช่องดูดหรือช่องระบายอากาศออก
- เพื่อป้องกันความเสียหาย โปรดถอดปลั๊กด้วยการจับที่ตัวปลั๊ก ไม่ใช่การดึงสาย
- อุปกรณ์นี้ไม่เหมาะสำหรับบุคคล (รวมถึงเด็ก) ที่มีสภาพร่างกาย ประสาทสัมผัสหรือจิตที่ไม่ปกติ หรือขาดประสบการณ์ ความรู้ ยกเว้นจะได้รับการดูแลหรือได้รับคำแนะนำในการใช้งานโดยบุคคลที่รับหน้าที่ดูแล โปรดระวังมิให้เด็กเล่นกับอุปกรณ์นี้ ไม่ควรให้เด็กทำความสะอาดหรือดำเนินการบำรุงรักษาเครื่องดูดฝุ่นโดยไม่มีผู้ใหญ่ดูแล
- โปรดดูแลมิให้เด็กเล่นกับอุปกรณ์นี้

ข้อมูลเกี่ยวกับความปลอดภัย

- ต้องถอดแบตเตอรี่ออกจากตัวอุปกรณ์หลักก่อนที่จะทำความสะอาดหรือบำรุงรักษา เครื่องดูดฝุ่น
- ไม่แนะนำให้ใช้สายไฟสำหรับต่อ
- ถ้าเครื่องดูดฝุ่นไม่ทำงานตามปกติ ให้ปิดเครื่องและติดต่อศูนย์บริการ Samsung ที่ได้รับอนุญาต
- ถ้าสายไฟเสียหาย จะต้องมีการเปลี่ยนทดแทนโดยผู้ผลิตหรือตัวแทนฝ่ายซ่อมบำรุง หรือบุคลากรที่มีคุณสมบัติเทียบเท่ากัน เพื่อป้องกันอันตรายจากไฟฟ้า
- ห้ามใช้ในการดูดน้ำ
- ห้ามทำความสะอาดด้วยการจุ่มน้ำ
- โปรดติดต่อ Samsung หรือศูนย์บริการของ Samsung เพื่อเปลี่ยนทดแทนถ้าจำเป็น

อุปกรณ์ติดตั้ง

- ห้ามดัดแปลงปลั๊กชนิดแบ่งขั้วให้สามารถใช้ได้กับเต้ารับไฟฟ้าหรือสายต่อชนิดไม่แบ่งขั้ว
- ห้ามใช้นอกอาคารหรือบนพื้นผิวที่เปียก
- ถอดปลั๊กขูดติดตั้งจากเต้ารับไฟฟ้าเมื่อไม่ได้ใช้และก่อนที่จะบำรุงรักษา
- ใช้ขูดติดตั้งที่ได้รับจากผู้ผลิตเท่านั้นในการชาร์จ
- ห้ามใช้สายไฟหรือปลั๊กที่เสียหาย
- ห้ามดึงหรือยกที่สาย ใช้สายไฟเป็นที่จับ ปิดประตูดึงที่สายไฟ หรือดึงสายไฟอ้อมขอบ หรือมุมที่คม ระวังอย่าให้สายไฟสัมผัสกับพื้นผิวที่ร้อนจัด
- ห้ามใช้สายต่อพ่วงหรือเต้ารับไฟฟ้าที่มีระดับการรองรับกระแสไฟฟ้าไม่เพียงพอ
- ห้ามชาร์จแบตเตอรี่ชนิดที่ชาร์จซ้ำไม่ได้
- ห้ามถอดปลั๊กด้วยวิธีดึงที่สายไฟ ในการถอดปลั๊ก ให้จับที่ตัวปลั๊ก ไม่ใช่ที่สายไฟ
- ห้ามแกะหรือเผาแบตเตอรี่เนื่องจากแบตเตอรี่จะระเบิดเมื่อได้รับความร้อน
- ห้ามพยายามแกะเปิดขูดติดตั้ง การซ่อมบำรุงควรดำเนินการโดยศูนย์บริการ Samsung ที่ผ่านการรับรองเท่านั้น
- ห้ามให้ความร้อนกับขูดติดตั้งหรือปล่อยให้ความชื้นจากของเหลวทุกประเภทสัมผัสกับขูดติดตั้ง

เครื่องดูดฝุ่น

- ห้ามใช้เก็บของแข็งหรือของมีคม เช่น เศษแก้ว เล็บ สกรู เหรียญ เป็นต้น
- ห้ามใช้งานโดยไม่มีตัวกรอง เมื่อบำรุงรักษาอุปกรณ์ ห้ามใส่นิ้วหรือวัตถุอื่นๆ ในช่องพัดลม เนื่องจากจะเป็นอันตรายหากอุปกรณ์เปิดทำงานโดยไม่ตั้งใจ
- ห้ามใส่วัตถุใดๆ ในช่องเปิด ห้ามใช้โดยมีช่องเปิดถูกปิดกั้นอยู่ โปรดอย่าให้ฝุ่นเกาะหรือมี เศษด้าย เส้นผม หรือสิ่งอื่นๆ บริเวณช่องเปิดซึ่งจะขัดขวางการระบายอากาศ
- ห้ามใช้เก็บสิ่งมีพิษ (ผงฟอกขาวคลอรีน แอมโมเนีย ผงละลายสิ่งอุดตันในท่อ ฯลฯ)
- ห้ามใช้เก็บสิ่งที่มีครันหรือกำลังติดไฟ เช่น ก้นบุหรี่ ไม้ขีดไฟ หรือเก้าอี้ที่มีความร้อน
- ห้ามใช้เครื่องดูดฝุ่นในพื้นที่อับซึ่งมีไอของสิ่งน้ำมัน ทินเนอร์ ลูกเหม็นหรือสารกันแมลง ฝุ่นที่ติดไฟได้ หรือไอที่สามารถระเบิดหรือเป็นพิษ

การติดตั้ง

ถ้าพบปัญหาเกี่ยวกับการติดตั้งขูดติดตั้ง โปรดติดต่อศูนย์บริการ Samsung

ⓘ หมายเหตุ

การบาดเจ็บหรือการทำงานผิดปกติของผลิตภัณฑ์ เนื่องจากไม่ติดตั้งขูดติดตั้งอาจไม่ได้รับการชดเชย

ข้อมูลเกี่ยวกับความปลอดภัย

เกี่ยวกับพลังงาน

⚠ คำเตือน

- เมื่อติดตั้งชุดติดตั้ง โปรตอย่าหักงอสายไฟโดยใช้แรงมากเกินไปหรือวางของหนักบน เครื่องชาร์จแบตเตอรี่
 - มิฉะนั้นอาจเกิดไฟฟ้าช็อตหรือเพลิงไหม้
- ถ้ามีฝุ่นละออง น้ำ ฯลฯ บนขาหรือจุดสัมผัสของปลั๊กไฟ ให้เช็ดออกให้หมด
 - มิฉะนั้นอาจมีการทำงานผิดปกติหรือเกิดไฟฟ้าช็อต
- ห้ามดึงปลั๊กไฟโดยดึงที่สายไฟหรือสัมผัสปลั๊กด้วยมือเปียก
- อย่าเสียบปลั๊กชุดติดตั้งเข้ากับแหล่งจ่ายไฟที่มีแรงดันไฟฟ้าไม่ตรงกัน อย่าเสียบปลั๊ก ชุดติดตั้งเข้ากับเต้ารับของปลั๊กตอพง ห้ามวางเครื่องชาร์จแบตเตอรี่ไว้กับพื้น เดินสายไฟ ให้ชิดกับผนัง
 - มิฉะนั้นอาจเกิดไฟฟ้าช็อตหรือเพลิงไหม้
- ห้ามใช้ปลั๊กไฟหรือเครื่องชาร์จแบตเตอรี่ที่เสียหายหรือเต้ารับไฟฟ้าที่หลวม
 - มิฉะนั้นอาจเกิดไฟฟ้าช็อตหรือเพลิงไหม้
- ถ้าเครื่องชาร์จแบตเตอรี่เสียหาย ให้ติดต่อศูนย์บริการที่ได้รับอนุญาตของ Samsung เพื่อเปลี่ยนเครื่องชาร์จแบตเตอรี่ใหม่
 - มิฉะนั้นอาจเกิดไฟฟ้าช็อตหรือเพลิงไหม้

การทำงาน

⚠ คำเตือน

- ห้ามสัมผัสขั้วสำหรับการชาร์จของเครื่องดูดฝุ่นหรือชุดติดตั้งด้วยตะเกียบ ไขควงโลหะ ส้อม มีด ฯลฯ
 - มิฉะนั้นอาจทำให้ผลิตภัณฑ์ทำงานผิดปกติหรือไฟฟ้าช็อต
- ตรวจสอบว่าขั้วแบตเตอรี่ของชุดติดตั้งไม่สัมผัสกับวัตถุที่เป็นตัวนำ เช่น สร้อยข้อมือ นาฬิกา แขนงโลหะ ตะปู ฯลฯ
- ตรวจสอบว่าไม่มีของเหลว เช่น น้ำหรือน้ำผลไม้ไหลเข้าสู่เครื่องดูดฝุ่นหรือชุดติดตั้ง
 - มิฉะนั้นอาจเกิดไฟฟ้าช็อตหรือเพลิงไหม้

- ห้ามใช้ชุดติดตั้งเพื่อวัตถุประสงค์อื่น
 - มิฉะนั้นอาจเกิดความเสียหายต่อชุดติดตั้งหรืออาจเกิดเพลิงไหม้
- ห้ามดูดของเหลว ของมีคม เข็มหมุด แก้วที่ติดไฟ ฯลฯ ระหว่างการทำทำความสะอาด
 - มิฉะนั้นอาจมีการทำงานผิดปกติหรือผลิตภัณฑ์เสียหาย
- ห้ามเหยียบตัวเครื่องหรือกระแทกผลิตภัณฑ์แรงๆ
 - มิฉะนั้นอาจเกิดการบาดเจ็บหรือผลิตภัณฑ์เสียหาย
- แปร่งและช่องระบายอากาศออกต้องไม่มีสิ่งใดกีดขวางระหว่างการทำทำความสะอาด
 - มิฉะนั้นผลิตภัณฑ์อาจทำงานผิดปกติหรือเกิดเพลิงไหม้เนื่องจากผลิตภัณฑ์มีความร้อนสูงเกิน
- ผลิตภัณฑ์นี้ออกแบบมาเพื่อใช้งานในบ้านเท่านั้น ห้ามใช้ผลิตภัณฑ์นี้สำหรับการทำความสะอาดแบบงานหนัก การทำความสะอาดในเชิงพาณิชย์ ในอุตสาหกรรม หรือทำความสะอาดกลางแจ้ง โดยเฉพาะกับพื้นผิวที่เป็นหินหรือซีเมนต์ ห้ามใช้ในการดูดฝุ่นขอสลักรถหรือรถบรรทุก โต๊ะบิลเลียดหรือในห้องปลอดเชื้อของโรงพยาบาล
 - มิฉะนั้นอาจมีการทำงานผิดปกติหรือผลิตภัณฑ์เสียหาย
- ห้ามใช้ผลิตภัณฑ์ใกล้อุปกรณ์ที่กำเนิดความร้อน เช่น เครื่องทำความร้อน หรือในพื้นที่ซึ่งมีสเปร์ยติดไฟได้หรือวัตถุไวไฟ
 - มิฉะนั้นอาจเกิดเพลิงไหม้หรือผลิตภัณฑ์เสียหาย
- ก่อนที่จะใช้ผลิตภัณฑ์ โปรดตรวจสอบว่าได้อัปเดตการลงไว้ด้วยถูกต้อง
 - มิฉะนั้นฝุ่นละอองอาจเข้าสู่มอเตอร์ภายในเครื่อง และอาจทำให้ผลิตภัณฑ์เสียหาย แรงดูดอาจลดลง
- ถ้าก๊าซรั่วหรือมีการใช้สเปร์ยที่ติดไฟได้ ห้ามสัมผัสเต้ารับไฟฟ้า และให้เปิดหน้าต่างเพื่อระบายอากาศ
 - มิฉะนั้นอาจเกิดการระเบิดหรือเพลิงไหม้
- ถ้าเครื่องดูดฝุ่นมีเสียงผิดปกติหรือมีกลิ่นหรือควันออกมา ให้ปิดเครื่องดูดฝุ่นทันที จากนั้นติดต่อศูนย์บริการของ Samsung
 - มิฉะนั้นอาจเกิดไฟฟ้าช็อตหรือเพลิงไหม้

ข้อมูลเกี่ยวกับความปลอดภัย

⚠️ ข้อควรระวัง

- ห้ามใช้ผลิตภัณฑ์ใกล้วัตถุไวไฟ และโปรดอย่าใช้:
 - ในสถานที่ซึ่งมีการจุดเทียนหรือมีการวางโคมไฟตั้งโต๊ะไว้บนพื้น
 - ในพื้นที่ซึ่งมีเครื่องทำความร้อนเปิดทำงานโดยไม่มีผู้ดูแลหรือในพื้นที่ซึ่งมีไฟอยู่โดยยังไม่ดับในเตาผิง ที่เขี่ยบุหรี่ ฯลฯ
 - ในสถานที่ซึ่งมีวัตถุไวไฟ เช่น น้ำมันเบนซิน แอลกอฮอล์ ทินเนอร์ ที่เขี่ยบุหรี่ซึ่งมีก้นบุหรี่ยังไม่ดับ เป็นต้น
- อย่าให้เด็กโหนหรือดันชุดติดผนัง
 - อาจทำให้เกิดการบาดเจ็บหรือทำให้ผลิตภัณฑ์และพื้นเสียหายได้
- เมื่อคุณต้องเก็บเครื่องดูดฝุ่นเป็นเวลาสั้นๆ ระหว่างการทำ ความสะอาด จะต้องวาง เครื่องดูดฝุ่นไว้บนพื้น
 - มิฉะนั้น เครื่องดูดฝุ่นอาจร่วงหล่นและทำให้เกิดการบาดเจ็บหรือทำให้ผลิตภัณฑ์เสียหายอย่างรุนแรง
- อย่าขารวจผลิตภัณฑ์ใกล้กับหน้าต่าง เครื่องทำความร้อน ห้องน้ำ เป็นต้น
- หลังจากใช้เครื่องดูดฝุ่นเสร็จแล้ว ควรเก็บไว้ในชุดติดผนังหรือวางบนพื้นในตำแหน่งที่ปลอดภัย
 - มิฉะนั้น ผลิตภัณฑ์อาจร่วงหล่นและทำให้เกิดการบาดเจ็บหรือทำให้ผลิตภัณฑ์เสียหายอย่างรุนแรง
- อย่าเก็บเครื่องดูดฝุ่นด้วยการวางพิงกับผนังหรือโต๊ะ
- ห้ามใช้เครื่องดูดฝุ่นเพื่อวัตถุประสงค์อื่นนอกเหนือจากการใช้งานปกติ (อย่าให้เด็กหรือสัตว์เลี้ยงขี่หรือเล่นกับอุปกรณ์)
 - อาจเกิดการบาดเจ็บหรือผลิตภัณฑ์เสียหาย
- ก่อนที่จะเสียบหรือถอดปลั๊กชุดติดผนัง ให้ปิดเครื่องดูดฝุ่นและตรวจสอบว่าขาของปลั๊กไฟ ไม่สัมผัสกับมือ
 - มิฉะนั้นอาจเกิดเพลิงไหม้หรือไฟฟ้าช็อต

- เมื่อใช้เครื่องดูดฝุ่น ระวังอย่าให้เกิดการบาดเจ็บที่อาจเกิดขึ้นจากชิ้นส่วนที่เคลื่อนไหว
 - ระวังอย่าให้ส่วนต่างๆ ของร่างกายถูกดูดเข้าสู่แปรงของเครื่องดูดฝุ่น (เส้นผม ฯลฯ)
- เมื่อทำความสะอาดผนังหรือเพดาน ให้ใช้ทั้งสองมือ
- ใช้ทั้งสองมือในการใช้งานเครื่องดูดฝุ่นเพื่อทำความสะอาด ถ้าใช้เพียงมือเดียวในการทำ ความสะอาด อาจทำให้ข้อมือบาดเจ็บหรือทำให้เครื่องดูดฝุ่นร่วงหล่นและเกิดการบาดเจ็บหรือทำให้เครื่องดูดฝุ่นเสียหาย
- เมื่อประกอบมือจับแบบพลิกขั้ว ระวังอย่าให้นิ้วมือติดหรือถูกหนีบอันอาจเกิดจากการพับมือจับ
- ห้ามใช้เครื่องดูดฝุ่นกับวัตถุที่อาจเป็นรอยได้ง่าย (จอภาพ สิ่งของที่เป็นสแตนเลส ฯลฯ)
- ห้ามเก็บเครื่องดูดฝุ่นภายในรถ
- ห้ามใช้น้ำทำความสะอาดเครื่องดูดฝุ่นขณะที่ใช้งาน
- ใช้เครื่องดูดฝุ่นในสถานที่แห้งเท่านั้น
- ห้ามใช้เครื่องดูดฝุ่นในที่เปียกหรือใช้กับน้ำ
- ห้ามใช้เครื่องดูดฝุ่นเพื่อดูดเครื่องดื่มที่หกไหลหรือของเสียจากสัตว์เลี้ยง
- ห้ามใช้เครื่องดูดฝุ่นในที่ซึ่งถูกแดดโดยตรงหรือมีความร้อนสูง

ข้อมูลเกี่ยวกับความปลอดภัย

การบำรุงรักษา

⚠ คำเตือน

- ก่อนที่จะนำสิ่งแปลกปลอมออกจากเครื่องดูดฝุ่น คุณควรปิดเครื่องดูดฝุ่นก่อน
 - ถ้าเครื่องดูดฝุ่นทำงานขณะที่คุณนำสิ่งแปลกปลอมออก คุณอาจได้รับบาดเจ็บหรือทำให้เครื่องดูดฝุ่นเสียหาย
- ขณะที่ทำความสะอาดภายนอกผลิตภัณฑ์ ให้ปิดเครื่องก่อน และเช็ดด้วยผ้าแห้ง อย่า พ่นน้ำใส่ด้านนอกของผลิตภัณฑ์โดยตรง หรือเช็ดด้วยสารระเหยเช่น เบนซิน ทินเนอร์ หรือแอลกอฮอล์
 - ถ้าน้ำเข้าผลิตภัณฑ์และเกิดข้อผิดพลาด ให้ปิดเครื่องและติดต่อศูนย์บริการ Samsung
- หลังจากถอดปลั๊กผลิตภัณฑ์ ให้ทำความสะอาดชุดดูดฝุ่น
- เมื่อทำความสะอาดชิ้นส่วนที่ล้างได้ ห้ามใช้สารซักฟอกที่เป็นด่าง กรด สารซักฟอกอุตสาหกรรม สเปรย์ปรับอากาศ กรดอะซิติก ฯลฯ
 - มิฉะนั้นอาจทำให้ผลิตภัณฑ์เสียหาย เช่น พลาสติกแตก ผิดรูป สีเปลี่ยน พื้นผิวลายพิมพ์เสียหาย ฯลฯ

⚠ ข้อควรระวัง

- อย่าดันเครื่องดูดฝุ่นขณะที่เก็บอยู่ในชุดดูดฝุ่น
 - อาจทำให้เกิดการบาดเจ็บหรือผลิตภัณฑ์เสียหายได้

ชิ้นส่วนที่ล้างได้		ที่เก็บฝุ่น ตัวกรองไมโครฟิลเตอร์ที่ล้างได้ ตัวกรองฝุ่นละเอียด ตัวกรองตะแกรงโลหะ ผ้าแห้ง
สารทำความสะอาดที่ใช้ได้	เป็นกลาง	น้ำยาล้างจาน
สารทำความสะอาดที่ห้ามใช้	เป็นด่าง	น้ำยาฟอกขาว, ทำความสะอาดคราบเข็มนา ฯลฯ
	เป็นกรด	น้ำมันพาราฟิน สารอิมัลซิฟายเออร์ ฯลฯ
	สารทำความสะอาดในอุตสาหกรรม	NV-I, PB-I, Opti, แอลกอฮอล์ อะซีโตน, เบนซิน, ทินเนอร์, ฯลฯ
	น้ำยาปรับอากาศ	สเปรย์ปรับอากาศ (กลิ่นกาแฟ, สมุนไพร, ฯลฯ)
	น้ำมัน	น้ำมันสัตว์หรือน้ำมันพืช
	ฯลฯ	กรดอะซิติกผสมอาหาร, น้ำส้มสายชู, น้ำส้มสายชูเข้มข้น ฯลฯ

หมายเหตุและข้อควรระวัง

การใช้แบตเตอรี่

หมายเหตุ

- ถ้าเครื่องดูดฝุ่นไม่ทำงานหลังจากชาร์จแบตเตอรี่ ให้เปลี่ยนแบตเตอรี่ ถ้ายังไม่สามารถใช้งานได้เมื่อเปลี่ยนแบตเตอรี่ใหม่แล้ว โปรดติดต่อศูนย์บริการ Samsung
- เมื่อซื้อแบตเตอรี่ในศูนย์บริการ Samsung โปรดตรวจสอบสัญลักษณ์ Samsung ของแท่งที่แบตเตอรี่ (SAMSUNG) และชื่อแบตเตอรี่ (VS15A60**** ซีรีส์: VCA-SBTA60)

ข้อควรระวัง

- อย่าถอดประกอบแบตเตอรี่หรือชุดติดตั้ง
 - อย่าให้แบตเตอรี่ได้รับความร้อน และอย่านำแบตเตอรี่ไปเผาไฟ
 - เนื่องจากแบตเตอรี่นี้ผลิตมาเพื่อใช้สำหรับผลิตภัณฑ์นี้โดยเฉพาะ โปรดอย่าใช้แบตเตอรี่สำหรับอุปกรณ์อิเล็กทรอนิกส์อื่น หรือใช้แบตเตอรี่นี้เพื่อวัตถุประสงค์อื่น
 - การถอดแบตเตอรี่ระหว่างการใช้งานอาจทำให้เกิดอันตรายที่งานผิดพลาด
 - ถ้านำแบตเตอรี่ออกขณะที่มอเตอร์เครื่องดูดฝุ่นทำงานอยู่ แบตเตอรี่อาจไม่ทำงานเป็นเวลา 30 วินาทีหลังจากใส่กลับเข้าที่ เนื่องจากเหตุผลด้านความปลอดภัย
 - เวลาในการชาร์จแบตเตอรี่และเวลาใช้งานอาจลดลงเมื่อใช้งานแบตเตอรี่ไประยะหนึ่ง เมื่อแบตเตอรี่ไม่ชาร์จหรือหมดเร็วผิดปกติ ให้เปลี่ยนแบตเตอรี่ที่หมดอายุ
 - ใช้ชุดติดตั้งและแบตเตอรี่ที่มาจากผู้ผลิตเท่านั้น
 - ก่อนที่จะใส่แบตเตอรี่ ให้ตรวจสอบว่าแบตเตอรี่ที่ใส่นั้นอยู่ในทิศทางที่ถูกต้อง
 - เมื่อทั้งแบตเตอรี่เก่า โปรดใส่ในกล่องเก็บแบตเตอรี่เพื่อรีไซเคิล
 - ถ้าคุณจะไม่ใช้เครื่องดูดฝุ่นเป็นเวลานาน ให้ถอดแบตเตอรี่ออกจากเครื่องดูดฝุ่น
- เมื่อใส่แบตเตอรี่เข้ากับเครื่องดูดฝุ่น ให้ใสจนสุดและได้ยินเสียงคลิก ซึ่งจะทำให้มั่นใจได้ว่าแบตเตอรี่มีการติดตั้งอย่างแน่นหนา
 - มิฉะนั้นแบตเตอรี่อาจร่วงหล่นและทำให้เกิดภัยอันตรายเสียหายหรือเกิดการบาดเจ็บ
 - อย่าทำแบตเตอรี่ร่วงหล่นหรือได้รับแรงกระแทกรุนแรง
 - ห้ามถอดประกอบแบตเตอรี่ และโปรดตรวจสอบว่าคุณไม่ได้ทำให้เกิดการลัดวงจรระหว่าง ขั้วบวก (+) และ ขั้วลบ (-)
 - อาจมีการรั่วไหลของเซลล์แบตเตอรี่ในภาวะการใช้งานที่มีสภาพแวดล้อมรุนแรงหรืออุณหภูมิร้อนจัดหรือเย็นจัด ถ้าของเหลวที่รั่วไหลถูกผิวหนัง ให้ล้างบริเวณที่ถูกของเหลวโดยเร็ว ถ้าของเหลวดังกล่าวเข้าตา ให้ล้างด้วยน้ำสะอาดทันทีเป็นเวลาไม่ต่ำกว่า 10 นาที จากนั้นไปพบแพทย์ทันที
 - เพื่อปกป้องมอเตอร์และแบตเตอรี่ ห้ามใช้เครื่องดูดฝุ่นในอุณหภูมิที่ต่ำกว่า 5 °C หรือสูงกว่า 45 °C

หมายเหตุและข้อควรระวัง

การทำงาน

หมายเหตุ

- ถ้าใช้แรงมากเกินไปกับแปรงหรือมีสิ่งแปลกปลอมติดที่แปรงหมุน (ลูกกลิ้ง) แปรงอาจไม่ทำงานเพื่อปกป้องมอเตอร์หรือเครื่องดูดฝุ่น ปิดเครื่องดูดฝุ่น นำสิ่งแปลกปลอมออก จากนั้นเปิดเครื่อง ถ้าเครื่องดูดฝุ่นไม่เริ่มทำงาน ให้ปิดและเปิดใหม่
- อาจเกิดไฟฟ้าสถิตขึ้น ทั้งนี้ขึ้นอยู่กับความชื้น อุณหภูมิ วัสดุพื้น ฯลฯ ในบ้าน ถ้าเกิดขึ้นซ้ำๆ ให้ติดต่อศูนย์บริการ Samsung
- โปรดชาร์จแบตเตอรี่ให้เต็ม:
 - ก่อนที่จะใช้แบตเตอรี่ที่ซื้อใหม่เป็นครั้งแรก หรือถ้าไม่ได้ใช้แบตเตอรี่เป็นเวลานาน
 - เมื่อสัญญาณแสดงระดับแบตเตอรี่อยู่ที่ระดับต่ำสุดและกะพริบ
- ถ้าคุณจะไม่ใช้ผลิตภัณฑ์เป็นเวลานานๆ หรือไม่อยู่บ้านเป็นเวลานาน ให้ถอดปลั๊กขุดติดผนัง และนำแบตเตอรี่ออกจากขุดติดผนัง เมื่อไม่ได้ชาร์จหรือใช้แบตเตอรี่จะมีการคายประจุซ้ำๆ
- เมื่อแบตเตอรี่มีพลังงานในระดับต่ำ ให้ชาร์จใหม่ ถ้าแบตเตอรี่มีระดับพลังงานต่ำเป็นเวลานาน อาจมีผลเสียต่อประสิทธิภาพของแบตเตอรี่

ข้อควรระวัง

- เมื่อแปรงหมุน (ลูกกลิ้ง) ภายในหัวแปรงไม่ทำงานอย่าสัมผัสตัวแปรง
 - มิฉะนั้น มีโอกาสติดในแปรงและทำให้เกิดการบาดเจ็บได้
- ห้ามใช้เครื่องดูดฝุ่นกับวัตถุที่อาจเป็นรอยได้ง่าย (โทรทัศน์และหน้าจอคอมพิวเตอร์ เป็นต้น)

การบำรุงรักษา

หมายเหตุ

- บางครั้งล้อของแปรงอาจขูดขีดพื้น ก่อนที่จะใช้เครื่องดูดฝุ่น ให้ตรวจสอบตำแหน่งล้อของแปรง
 - ถ้ามีสิ่งแปลกปลอมติดอยู่กับล้อของแปรงซึ่งไม่สามารถนำออกได้โดยง่าย โปรดติดต่อศูนย์บริการ Samsung

ข้อควรระวัง

- การเก็บเครื่องดูดฝุ่นโดยให้โดนแสงแดดเป็นเวลานาน อาจทำให้รูปทรงหรือสีเปลี่ยน ดังนั้น หลังจากทำความสะอาดชิ้นส่วนของเครื่องดูดฝุ่นแล้ว ให้วางผึ่งให้แห้งในร่ม
- ห้ามทำความสะอาดแปรงของเครื่องดูดฝุ่นด้วยน้ำ การทำความสะอาดด้วยน้ำอาจทำให้แปรงผิดรูปหรือสีเปลี่ยน
- ก่อนที่จะทำความสะอาดขุดติดผนัง คุณจะต้องถอดปลั๊กของขุดติดผนังก่อน
- ถ้าพบว่าแรงดูดลดลงอย่างต่อเนื่อง หรือเครื่องดูดฝุ่นมีความร้อนสูงผิดปกติ ให้เปลี่ยน ตัวกรองฝุ่นละเอียด
- หลังจากทำความสะอาด <ที่เก็บฝุ่น>, <ตัวกรองตะแกรงโลหะ> หรือ <ไมโครฟิลเตอร์ที่ล้างน้ำได้> ด้วยน้ำแล้ว ให้ทิ้งไว้ให้แห้งในที่ร่ม
 - เมื่อได้รับความร้อน ผลิตภัณฑ์อาจเสียรูปไป

การแก้ไขปัญหา

ก่อนที่จะโทรติดต่อศูนย์บริการ ให้อ่านข้อมูลเกี่ยวกับปัญหาและการแก้ไขด้านล่าง ถ้าวิธีแก้ไขที่แนะนำไม่สามารถแก้ไขปัญหาของคุณได้ โปรดไปที่เว็บไซต์ www.samsung.com หรือติดต่อศูนย์บริการลูกค้า Samsung โปรดทราบว่าเรามี คำบริการสำหรับการโทรรับบริการในกรณีที่ไม่พบความบกพร่อง

ปัญหา	การแก้ไข
เครื่องดูดฝุ่นไม่ทำงาน	<ul style="list-style-type: none">• ตรวจสอบระดับแบตเตอรี่และเปลี่ยนแบตเตอรี่• ตรวจสอบว่าผลลิตภัณฑ์ปิดอยู่ และจากนั้นกดปุ่มเปิด/ปิดเพื่อเปิด• ตรวจสอบว่าท่อ ที่เก็บฝุ่น หรือแปรงดูดฝุ่นหรือไม่• ตรวจสอบว่าไดโอสถ์วกรองไมโครฟิลเตอร์ที่ล้างได้อย่างถูกต้อง• ถ้าไมไ้ได้ใช้ผลลิตภัณฑ์เป็นเวลานาน ให้ชาร์จแบตเตอรี่• ถ้าแบตเตอรี่หมด ให้เปลี่ยนแบตเตอรี่
แรงดูดลดลงโดยจับพลังัน และเครื่องดูดฝุ่นมีเสียงของการสิ้นเสเหือน	<ul style="list-style-type: none">• ตรวจสอบว่าหัวแปรง, ที่เก็บฝุ่น หรือท่ออุดตันเนื่องจากสิ่งแปลกปลอมหรือไม่ และนำออก• ตรวจสอบว่าท่อ ที่เก็บฝุ่นมีฝุ่นเต็มหรือไม่ ถ้าเต็ม ให้นำฝุ่นไปทิ้ง• ตรวจสอบว่าตัวกรองสกปรกหรือไม่ ถ้าสกปรก ให้ทำความสะอาดตัวกรอง
ไม่สามารถชาร์จเครื่องดูดฝุ่น	<ul style="list-style-type: none">• ตรวจสอบว่ามีสิ่งแปลกปลอม (ฝุ่นละออง) อยู่ที่ขั้วของการชาร์จหรือไม่ นำสิ่งแปลกปลอมออกด้วยไม้พันสาลีหรือผ้านุ่ม• ตรวจสอบว่าเครื่องดูดฝุ่นเปิดอยู่หรือไม่ และจากนั้นตรวจสอบไฟ LED ของสัญญาณระดับแบตเตอรี่ว่าเปิดอยู่
แปรงหมุน (ลูกกลิ้ง) ภายใ้หัวแปรงไม่ทำงาน	<ul style="list-style-type: none">• เมื่อสัญญาณสถานะแปรงหมุนติดปรากฏ ให้ปิดเครื่องดูดฝุ่นและตรวจสอบว่าแปรงดูดฝุ่นเนื่องจากสิ่งแปลกปลอมหรือไม่ ถ้ามี ให้นำสิ่งแปลกปลอมออกและเริ่มต้นเครื่องดูดฝุ่นใหม่• ตรวจสอบว่าเครื่องดูดฝุ่นเปิดอยู่ จากนั้นปิดเครื่องและเปิดเครื่องดูดฝุ่นอีกครั้ง<ul style="list-style-type: none">- สำหรับ แปรงเจ็ดฟีด ถ้าเครื่องดูดฝุ่นมีความร้อนสูงเกิน อาจใช้เวลาประมาณ 30 นาทีเพื่อให้อุณหภูมิเย็นลง

การแก้ไขปัญหา

ปัญหา	การแก้ไข
มีกลิ่นอันไม่พึงประสงค์จากช่องอากาศออกของเครื่องดูดฝุ่น	<ul style="list-style-type: none">• ทั้งฝุ่นในที่เก็บ และทำความสะอาดตัวกรองบ่อยๆ<ul style="list-style-type: none">- เนื่องจากเครื่องดูดฝุ่นของคุณเป็นผลิตภัณฑ์ใหม่ อาจมีกลิ่นเล็กน้อยในช่วง 3 เดือนหลังจากที่ซื้อมา- ถ้าใช้เครื่องดูดฝุ่นบ่อยๆ ฝุ่นละอองที่สะสมในที่เก็บฝุ่น หรือฝุ่นละออง ที่ตัวกรอง อาจทำให้เกิดกลิ่น• คุณสามารถซื้อตัวกรองทดแทนที่ศูนย์บริการของ Samsung
ทำความสะอาดเสร็จสิ้นแล้ว แต่มีฝุ่นละอองขนาดเล็กออกมาจากแปรง	<ul style="list-style-type: none">• หลังจากทำความสะอาด ให้เดินเครื่องดูดฝุ่นให้ทำงานต่อไปอีก 10 วินาทีขึ้นไป เพื่อดูดฝุ่นละอองขนาดเล็ก
เครื่องดูดฝุ่นหยุดทำงานระหว่างการทำความสะอาด	<ul style="list-style-type: none">• เนื่องจากผลิตภัณฑ์นี้มีอุปกรณ์ป้องกันความร้อนสูงสำหรับมอเตอร์ ผลิตภัณฑ์จะหยุดทำงานชั่วคราวสำหรับสภาพต่อไปนี้<ul style="list-style-type: none">- เมื่อเครื่องดูดฝุ่นทำงานในขณะที่ที่เก็บฝุ่นเต็ม- เมื่อเครื่องดูดฝุ่นทำงานในขณะที่ส่วนการดูดหรือแปรงอุดตัน- เมื่อใช้หัวดูดสำหรับร่องเป็นเวลาหลายชั่วโมง• หลังจากแก้ไขต้นเหตุของปัญหาแล้ว ให้เปิดเครื่องอีกครั้ง (กรณีนี้อาจแตกต่างกันไปตามอุณหภูมิจนโดยรอบ)
เกิดไฟฟ้าสถิตเมื่อทำความสะอาดเบาะที่มีความหนาและนุ่ม	<ul style="list-style-type: none">• วัสดุของเบาะ (เบาะของศูนย์รับเลี้ยงเด็ก เบาะกันเสียงระหว่างชั้น เป็นต้น) อาจทำให้เกิดไฟฟ้าสถิต<ul style="list-style-type: none">- เลื่อนแปรงไปยังพื้นปกติชั่วคราวและทำความสะอาดอีกครั้ง ไฟฟ้าสถิต ควรหายไป

ข้อมูลจำเพาะของผลิตภัณฑ์

รุ่น		VS15A60****
พลังงาน		100-240 V ~ 50-60 Hz
การใช้พลังงานตามพิกัด		410 วัตต์
ข้อมูลจำเพาะของแบตเตอรี่		ลิเทียมไอออน 21.6 โวลต์, 1800 mAh, 6 เซลล์
เวลาชาร์จ		3.5 ชั่วโมง
เวลาทำความสะอาด (ค่าเริ่มต้น: MID)	มือจับ	ประมาณ 5 นาที (โหมดสูงสุด) / ประมาณ 20 นาที (โหมดปานกลาง) / ประมาณ 40 นาที (โหมดต่ำสุด)
	แปรงเจ็ดฟีด	ประมาณ 5 นาที (โหมดสูงสุด) / ประมาณ 18 นาที (โหมดปานกลาง) / ประมาณ 27 นาที (โหมดต่ำสุด)

- เวลาในการชาร์จและทำความสะอาดอาจแตกต่างกันไปตามชนิดของแปรงและสภาพของการใช้งาน

บันทึก

บริการหลังการขาย คือสิ่งสำคัญที่สุดในผลิตภัณฑ์

ท่านสามารถโทร ติดตามงานซ่อม สอบถามข้อมูลสินค้า และโปรโมชั่นการขาย ได้ที่
ศูนย์บริการลูกค้าสัมพันธ์ (CUSTOMER CONTACT CENTER)

โทร (Tel) : 1282
โทรฟรี (TOLL FREE) : 1800-29-3232
(โทรฟรีจากเบอร์โทรศัพท์พื้นฐาน)

Samsung Live Chat Service



ท่านสามารถลงทะเบียนการรับประกันผ่านทางเว็บไซต์
<https://www.samsung.com/th/support/your-service/main>
Customers can register the warranty via
<https://www.samsung.com/th/support/your-service/main>

Máy hút bụi

Hướng dẫn sử dụng

VS15A60****

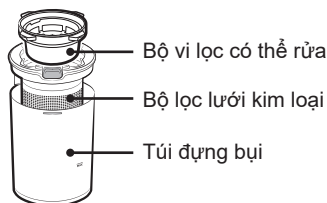
- Trước khi vận hành thiết bị này, vui lòng đọc kỹ hướng dẫn.
- Chỉ sử dụng trong nhà.



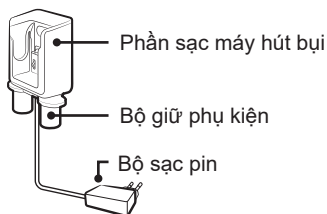
SAMSUNG



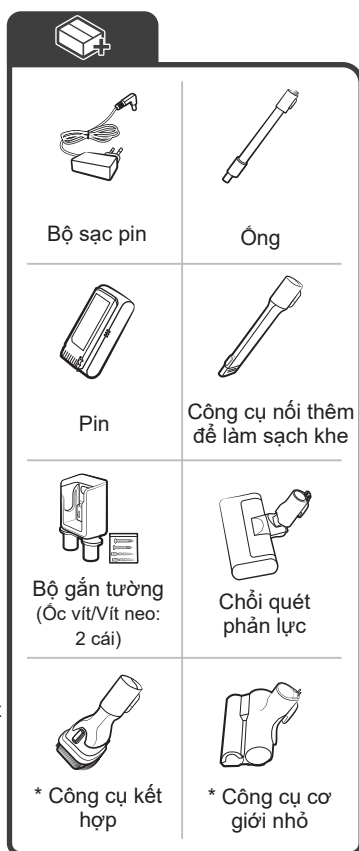
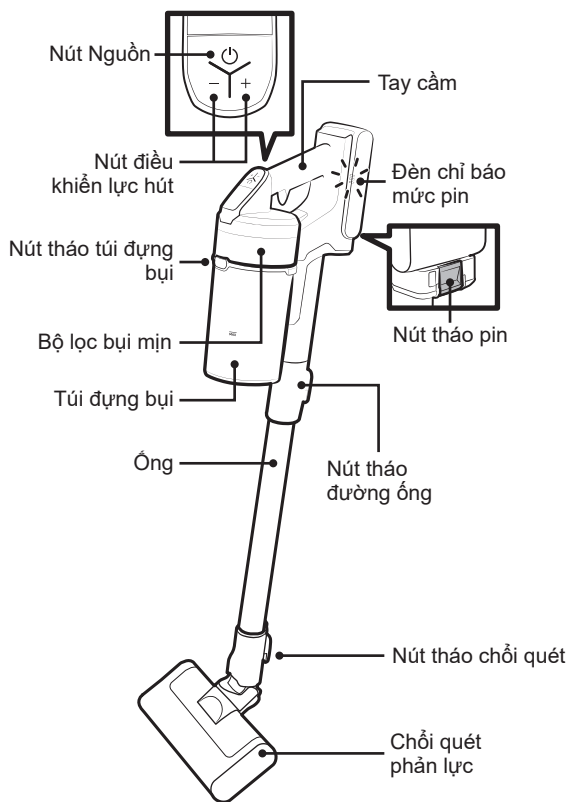
Hộp đựng bụi & Bộ lọc



Bộ gắn tường



Bộ phận chính



*Phụ kiện của sản phẩm có thể khác biệt tùy theo mẫu.

Thông số kỹ thuật của pin

Dòng máy VS15A60****: Lithium-ion 21.6 V, 1800 mAh, 6 cell

Hoạt động và bảo trì

A. Lắp đặt

Vị trí lắp đặt bộ gắn tường nên được đặt sao cho phần trên cùng của bộ gắn tường cách sàn nhà 113 cm.

⚠ CẢN TRỌNG

- Lắp đặt bộ gắn tường trên tường bê tông cứng.
 - Nếu bạn lắp bộ gắn tường vào vách thạch cao và không có chốt, hãy dùng thanh neo vách thạch cao để giữ chặt bộ sạc.

📌 LƯU Ý



- Vui lòng tham khảo mã QR để biết thông tin chi tiết về cách lắp đặt bộ gắn tường.

B. Sử dụng máy hút bụi

B-1 Sạc

- Khi đèn báo mức pin chỉ pin ở mức thấp nhất và nhấp nháy, hãy sạc pin.
- Khi sạc máy hút bụi, đảm bảo phần kết nối của bộ gắn tường được kết nối chính xác.
- Máy hút bụi không thể được sử dụng khi đang sạc.

• Sử dụng bộ gắn tường

- Đảm bảo phần phía sau của pin được đặt chính xác vào phần sạc của máy hút bụi
- Kiểm tra xem đèn báo mức pin có hiển thị khi đang sạc không.
- Đèn báo mức pin nhấp nháy khi đang sạc pin. Khi sạc đầy, đèn báo ngừng nhấp nháy và mức độ sáng của đèn giảm đi.

• Sạc bằng bộ sạc để bàn

- Sạc pin tại bộ sạc để bàn.
- Đẩy pin vào một cách chắc chắn.
- Kiểm tra xem đèn báo mức pin có hiển thị khi đang sạc không.

⚠ CẢN TRỌNG

- Phải tắt sản phẩm trước khi tháo pin. (Nếu pin bị lấy ra trong khi máy hút bụi đang hoạt động, máy có thể bị hỏng.)
- Cẩn thận để không làm rơi pin. Nếu để rơi, bạn có thể bị thương hoặc làm hỏng pin.

B-2 Tháo pin & Gắn lại pin

- Nhấn nút tháo pin ở phía sau tay cầm để tháo pin.
- Đẩy pin vào đến khi bạn nghe thấy tiếng tách.

B-3 Cất giữ các phụ kiện

- Khi các phụ kiện được tháo ra để cất giữ, bụi có thể rơi ra từ phần hút của máy hút bụi.
- Sau khi vệ sinh, hãy vận hành máy ở chế độ MAX trong 10 giây.
- Đặt bộ sạc để bàn trên bàn sau khi gấp giá đỡ phụ kiện và tập hợp các phụ kiện vào giá đỡ như trong hình minh họa.
- Có thể gấp giá đỡ phụ kiện dễ dàng hơn nếu đặt Công cụ nối thêm để làm sạch khe vào đầu tiên.

B-4 Vận hành máy hút bụi

- A:** Nút Nguồn
 - Khi nhấn nút nguồn, máy hút bụi bắt đầu hoạt động ở chế độ "MID".
- B:** Nút điều khiển lực hút
 - Bạn có thể điều khiển lực hút của máy hút bụi.
 - Nút [+]: Tăng lực hút
 - Nút [-]: Giảm lực hút

Hoạt động và bảo trì

B-5 Tháo gỡ các phụ kiện

• Tháo gỡ các phụ kiện

- Khi tháo gỡ đường ống, nhấn nút tháo ở phía sau đường ống.
- Trước khi tháo các phụ kiện, hãy vận hành ở chế độ MAX trong vòng hơn 10 giây để loại bỏ chất bẩn trên phụ kiện.
- Khi tháo gỡ chổi quét, nhấn nút tháo ở phía sau chổi quét.

• Chổi quét phản lực

- Sử dụng để làm sạch nhiều tình trạng sàn nhà khác nhau, phụ kiện này cũng phù hợp để làm sạch thảm.

• Công cụ cơ giới nhỏ

- Sử dụng để vệ sinh bộ đồ giường.

• Công cụ kết hợp

- Sử dụng để loại bỏ bụi trên rèm, đồ nội thất, ghế sofa, v.v.

• Công cụ nối thêm để làm sạch khe

- Sử dụng để loại bỏ bụi trên khung cửa sổ, khe nứt, góc, v.v.

- Sau khi làm sạch túi đựng bụi, rửa sạch và để khô trong bóng râm.
- Sản phẩm có thể bị biến dạng khi tiếp xúc với nhiệt độ cao.

C-2 Bộ vi lọc có thể rửa

- Để duy trì hiệu suất tốt nhất của bộ lọc, hãy loại bỏ bụi trên bộ lọc thường xuyên và vệ sinh bộ lọc bằng nước một lần mỗi tháng.
- Sau khi vệ sinh, làm khô hoàn toàn trong hơn 24 giờ trong bóng râm trước khi sử dụng.
- Sản phẩm có thể bị biến dạng khi tiếp xúc với nhiệt độ cao.

C-3 Bộ lọc bụi mịn

- Để duy trì hiệu suất tốt nhất của bộ lọc, hãy loại bỏ bụi trên bộ lọc thường xuyên và vệ sinh bộ lọc bằng nước một lần mỗi tháng.
- Sau khi vệ sinh, làm khô hoàn toàn trong hơn 24 giờ trong bóng râm trước khi sử dụng.
- Sản phẩm có thể bị biến dạng khi tiếp xúc với nhiệt độ cao.

📌 LƯU Ý

Khi lắp ráp, xoay bộ lọc đến khi không còn nhìn thấy đường kẻ phía dưới hình ổ khóa.

C. Bảo trì máy hút bụi

⚠️ CẢN TRỌNG

- Trước khi vệ sinh máy hút bụi, hãy tắt nó đi.
- Khi túi đựng bụi hoặc bộ lọc chứa đầy bụi, máy hút bụi có thể dừng lại do thiết bị chống quá nhiệt của động cơ.
- Bạn cần vệ sinh túi đựng bụi hoặc bộ lọc trước khi túi hoàn toàn đầy (dấu Tới đạ).

📌 LƯU Ý



- Để biết thông tin chi tiết, vui lòng xem mã QR.

C-1 Làm sạch và vệ sinh túi đựng bụi

- Loại bỏ bụi trên bộ lọc lưới kim loại bằng công cụ kết hợp.
- Không kéo miếng cao su gắn vào bộ lọc lưới kim loại ra.

C-4 Công cụ cơ giới nhỏ

C-5 Công cụ nối thêm để làm sạch khe / ống

C-6 Chổi quét phản lực

Nếu vật lạ không được loại bỏ, hãy sử dụng kéo để lấy nó ra.

📌 LƯU Ý

- Nếu một miếng vải hoặc vật lạ khác được hút và vướng vào bàn chải xoay (trục xoay), bàn chải xoay sẽ ngừng hoạt động để bảo vệ động cơ chổi quét. Sau khi vệ sinh chổi quét, tắt nguồn sau đó bật lại.
- Nếu chổi quét không hoạt động sau khi vệ sinh, hãy tắt nguồn và bật lại lần nữa.
- Khi vệ sinh chổi quét, cẩn thận tránh để kẹt ngón tay vào nếp gấp của chổi quét.

Thông tin an toàn

- Trước khi vận hành thiết bị, vui lòng đọc kỹ hướng dẫn sử dụng này và giữ lại để tham khảo.
- Vì những hướng dẫn vận hành sau đây đề cập đến nhiều kiểu máy khác nhau, nên những tính năng của máy hút bụi của quý vị có thể có một số khác biệt so với mô tả trong tài liệu hướng dẫn sử dụng này.

Các ký hiệu Cảnh trọng/Cảnh báo được sử dụng

CẢNH BÁO

Cho biết nguy cơ chết người hoặc thương tích nghiêm trọng.

CẢNH TRỌNG

Cho biết có nguy cơ gây thương tích cho người hoặc thiệt hại về vật chất.

Các ký hiệu khác được sử dụng

LƯU Ý

Cho biết văn bản sau đây có chứa thêm thông tin quan trọng.

Nếu không đáp ứng các yêu cầu này có thể gây hư hỏng các bộ phận bên trong máy hút bụi và làm mất hiệu lực bảo hành của bạn.

Khái quát

- Vui lòng đọc kỹ tất cả hướng dẫn. Trước khi bật máy hút bụi, đảm bảo rằng điện áp của nguồn điện giống với chỉ định trên tấm định mức ở phía sau máy hút bụi cầm tay (phía tiếp xúc với pin).

CẢNH BÁO

Không sử dụng máy hút bụi trên tấm thảm hoặc sàn ướt.

- Cần giám sát chặt chẽ khi trẻ em sử dụng thiết bị hoặc khi thiết bị được sử dụng gần trẻ em. Không sử dụng máy hút bụi như đồ chơi. Không để máy hút bụi hoạt động mà không giám sát. Chỉ sử dụng máy hút bụi theo đúng mục đích sử dụng như được mô tả trong hướng dẫn này.
- Không sử dụng máy hút bụi mà không có túi đựng bụi.
- Làm sạch túi đựng bụi trước khi đầy để đảm bảo hiệu suất cao nhất.
- Không sử dụng máy hút bụi để hút que diêm, tàn thuốc hoặc mẫu thuốc đang cháy. Giữ máy hút bụi cách xa bếp lò và các nguồn nhiệt khác. Nhiệt có thể làm biến dạng và mất màu các bộ phận bằng nhựa của máy.
- Tránh hút các vật cứng, sắc bén bằng máy hút bụi vì chúng có thể làm hư hỏng các bộ phận của máy.
- Không chặn đầu hút hoặc đầu xả.
- Để tránh hư hỏng, hãy rút phích cắm ra bằng cách cầm vào phần thân phích cắm, không phải bằng cách kéo dây điện.
- Thiết bị này không dành cho những người (bao gồm trẻ nhỏ) bị khuyết tật, suy giảm tri giác hoặc thiếu năng lực trí tuệ hoặc thiếu kinh nghiệm và kiến thức sử dụng, trừ khi họ được giám sát hoặc hướng dẫn về cách sử dụng thiết bị bởi người chịu trách nhiệm cho sự an toàn của họ. Không được để trẻ em vệ sinh hoặc thực hiện bảo trì máy hút bụi mà không có sự giám sát của người lớn.

Thông tin an toàn

- Trẻ em cần được giám sát để đảm bảo rằng chúng không nghịch phá thiết bị.
- Pin phải được tháo khỏi bộ phận chính trước khi vệ sinh hoặc bảo trì máy hút bụi.
- Không nên sử dụng ổ cắm điện kéo dài.
- Nếu máy hút bụi không hoạt động đúng cách, hãy tắt nguồn điện và tham khảo ý kiến của đại lý dịch vụ được ủy quyền của Samsung.
- Nếu dây cáp điện bị hư hỏng thì chỉ có nhà sản xuất hoặc đại lý dịch vụ hoặc kỹ thuật viên đủ trình độ mới được thay mới dây cáp điện để tránh những mối nguy hiểm về điện.
- Không sử dụng để hút nước.
- Không nhúng máy hút bụi vào nước để vệ sinh máy.
- Vui lòng liên hệ với Samsung hoặc trung tâm dịch vụ Samsung khi cần thay thế một bộ phận.

Bộ gắn tường

- Không được chỉnh sửa phích cắm có phân cực để phù hợp với ổ cắm điện không phân cực hoặc ổ cắm điện kéo dài.
- Không được sử dụng ở ngoài trời hoặc trên các bề mặt ẩm ướt.
- Rút dây của bộ gắn tường khỏi ổ điện khi không sử dụng và trước khi bảo trì.
- Chỉ sử dụng bộ gắn tường được nhà sản xuất cung cấp để sạc pin.
- Không được sử dụng với phích cắm hoặc dây điện bị hư hỏng.
- Không được kéo hoặc di chuyển dây điện, sử dụng dây điện làm chỗ cầm nắm, đóng cửa đè lên dây điện hoặc kéo dây điện vòng quanh các cạnh hoặc góc sắc nhọn. Giữ dây điện cách xa các bề mặt nóng.
- Không được sử dụng ổ cắm điện kéo dài hoặc ổ cắm điện không phù hợp với dòng điện định mức.
- Không sạc pin không sạc lại được.
- Không được nắm kéo dây điện để rút phích cắm điện ra. Để rút phích cắm điện, hãy cầm vào phích, không được cầm dây điện.
- Không được cắt hoặc đốt pin vì chúng có thể phát nổ ở nhiệt độ cao.

- Không được thử mở bộ gắn tường. Việc sửa chữa chỉ nên được thực hiện bởi trung tâm dịch vụ Samsung đủ tiêu chuẩn.
- Không để bộ gắn tường ở nơi có nhiệt độ cao hoặc tiếp xúc với hơi nước, hơi ẩm ở bất kỳ dạng nào.

Máy hút bụi

- Không được hút các vật thể cứng hoặc sắc nhọn như mảnh thủy tinh, đinh, ốc vít, đồng tiền kim loại, v.v.
- Không được sử dụng khi chưa lắp bộ lọc đúng vị trí. Khi bảo trì, sửa chữa máy, đừng bao giờ đặt ngón tay hoặc các vật thể khác vào khoang quạt hút để phòng trường hợp máy bất ngờ hoạt động.
- Không đặt bất cứ vật thể nào vào các lỗ thông gió. Không sử dụng khi có lỗ thông gió bị kẹt. Giữ cho các lỗ thông gió sạch bụi, xơ vải, lông tóc và bất cứ vật gì có thể làm giảm lưu thông gió.
- Không được hút các chất độc (chất tẩy clo, amoniac, nước thông cống v.v.).
- Không được hút bất cứ thứ gì đang cháy hoặc bốc khói như thuốc lá, diêm hoặc tàn thuốc.
- Không được sử dụng máy hút bụi trong một không gian kín có hơi hóa chất bốc ra từ sơn gốc dầu, dung môi pha sơn, các chất chống côn trùng, bụi dễ cháy hoặc hơi các hóa chất dễ cháy nổ hoặc độc hại khác.

Lắp đặt

Nếu bạn gặp vấn đề khi lắp đặt bộ gắn tường, hãy liên hệ trung tâm dịch vụ Samsung.

LƯU Ý

Thương tích hoặc hư hỏng sản phẩm do không lắp đặt bộ gắn tường có thể sẽ không được bồi thường.

Thông tin an toàn

Về nguồn điện

CẢNH BÁO

- Khi lắp đặt bộ gắn tường, không uốn cong bộ sạc pin bằng lực mạnh quá mức cũng như không để vật nặng lên bộ sạc pin.
 - Nếu không có thể xảy ra điện giật hoặc cháy nổ.
- Nếu có bụi, nước, v.v. trên chân sạc hoặc phần tiếp xúc của phích cắm điện, hãy lau sạch.
 - Nếu không có thể xảy ra hoạt động bất thường hoặc điện giật.
- Không được cắm dây điện và phích cắm vào ổ cắm khi tay đang ướt.
- Không cắm bộ gắn tường vào nguồn điện có điện áp không phù hợp. Không cắm bộ gắn tường vào ổ cắm nhiều lỗ cắm hoặc ổ cắm thông minh. Không để bộ sạc pin nằm trên sàn nhà. Cố định dây điện gắn sát với tường.
 - Nếu không có thể xảy ra điện giật hoặc cháy nổ.
- Không được sử dụng phích cắm, bộ sạc pin bị hỏng hoặc ổ cắm lỏng.
 - Nếu không có thể xảy ra điện giật hoặc cháy nổ.
- Nếu bộ sạc pin bị hỏng, hãy nhờ trung tâm dịch vụ kỹ thuật của Samsung thay thế bộ sạc pin đó bằng bộ sạc pin mới.
 - Nếu không có thể xảy ra điện giật hoặc cháy nổ.

Hoạt động

CẢNH BÁO

- Không chạm vào chân sạc của máy hút bụi hoặc bộ gắn tường bằng đầu dũa, đinh ốc bằng kim loại, nĩa, dao, v.v.
 - Nếu không, sản phẩm có thể bị hư hỏng hoặc có nguy cơ gây điện giật.
- Đảm bảo chân cắm của bộ gắn tường không tiếp xúc với vật dẫn điện như vòng tay, đồng hồ, thanh kim loại, đinh, v.v.
- Không để các chất lỏng như nước hoặc nước trái cây chảy vào máy hút bụi hoặc bộ gắn tường.
 - Nếu không có thể xảy ra điện giật hoặc cháy nổ.
- Không được sử dụng bộ gắn tường cho các mục đích khác.
 - Nếu không có thể gây hư hỏng nghiêm trọng cho bộ gắn tường hoặc xảy ra hỏa hoạn.
- Không hút chất lỏng, lưỡi dao, ghim, than hồng, v.v. trong quá trình vệ sinh.
 - Nếu không có thể xảy ra hoạt động bất thường hoặc hư hỏng sản phẩm.
- Không dẫm lên thân hoặc va chạm mạnh vào sản phẩm.
 - Nếu không có thể xảy ra chấn thương hoặc hư hỏng sản phẩm.
- Không để chổi quét và lỗ thoát khí bị kẹt trong quá trình vệ sinh.
 - Nếu không có thể hư hỏng sản phẩm hoặc xảy ra cháy nổ do sản phẩm quá nhiệt.
- Sản phẩm này chỉ được sử dụng trong hộ gia đình. Không sử dụng sản phẩm này để dọn dẹp khu vực bị dơ bẩn nặng, thương mại, công nghiệp, hoặc vệ sinh khu vực ngoài trời, đặc biệt là trên đá hoặc xi măng. Không sử dụng để thu gom bột phấn trong và xung quanh bàn bi-a hoặc trong phòng vô trùng của bệnh viện.
 - Nếu không có thể xảy ra hoạt động bất thường hoặc hư hỏng sản phẩm.
- Không sử dụng sản phẩm gần các thiết bị phát nhiệt như lò sưởi, hoặc các khu vực chứa thuốc xịt hoặc vật liệu dễ cháy.
 - Nếu không có thể xảy ra cháy nổ hoặc biến dạng sản phẩm.
- Trước khi sử dụng sản phẩm, đảm bảo rằng các bộ lọc được gắn vào đúng cách.
 - Nếu không bụi có thể lọt vào động cơ bên trong thân máy và có thể gây hư hỏng sản phẩm. Lực hút có thể bị giảm.
- Nếu có rò rỉ khí đốt hoặc khi sử dụng thuốc xịt dễ cháy, không được chạm vào ổ cắm điện và mở cửa sổ để thông thoáng.
 - Nếu không có thể xảy ra cháy nổ.
- Nếu máy hút bụi tạo ra âm thanh lạ hoặc phát ra mùi hoặc khói, hãy tắt máy hút bụi ngay lập tức, sau đó liên hệ với trung tâm dịch vụ Samsung.
 - Nếu không có thể xảy ra điện giật hoặc cháy nổ.

Thông tin an toàn

⚠ CẢN TRỌNG

- Không sử dụng sản phẩm ở gần vật liệu dễ cháy. Đồng thời không sử dụng:
 - Ở nơi có nền đang cháy hoặc đèn bàn được đặt trên sàn.
 - Ở nơi có lò sưởi đang bật và không được giám sát hoặc ở nơi có tàn lửa như lò sưởi, gạt tàn thuốc, v.v.
 - Ở nơi có các vật liệu dễ cháy như xăng, cồn, dung môi, gạt tàn có thuốc lá chưa tắt, v.v.
- Không để trẻ em bám vào hoặc đẩy bộ gắn tường.
 - Có thể gây ra thương tích cá nhân, gây hư hại sản phẩm và sàn nhà.
- Nếu bạn cần cất giữ máy hút bụi trong khoảng thời gian ngắn trong lúc làm vệ sinh, hãy đặt máy nằm trên sàn nhà.
 - Nếu không, máy hút bụi có thể rơi và gây ra thương tích hoặc hư hại nghiêm trọng sản phẩm.
- Không sạc sản phẩm gần cửa sổ, lò sưởi, nhà vệ sinh, phòng tắm, v.v.
- Sau khi sử dụng máy hút bụi, bạn nên cất giữ thiết bị trong bộ gắn tường hoặc đặt an toàn trên sàn nhà.
 - Nếu không, sản phẩm có thể rơi và gây ra thương tích hoặc hư hại nghiêm trọng sản phẩm.
- Không cất giữ máy hút bụi bằng cách để dựa vào tường hoặc bàn.
- Không sử dụng máy hút bụi ngoài mục đích được chỉ định. (Không để trẻ em chơi hoặc nghịch phá sản phẩm.)
 - Có thể gây thương tích hoặc hư hỏng sản phẩm.
- Trước khi cắm điện hoặc rút điện bộ gắn tường, hãy tắt máy hút bụi và đảm bảo tay không tiếp xúc với chân phích cắm điện.
 - Nếu không có thể xảy ra cháy nổ hoặc điện giật.
- Khi sử dụng máy hút bụi, hãy cẩn thận để tránh bị thương bởi các bộ phận chuyển động hoặc xoay.
 - Cẩn thận để tránh hút phải bộ phận cơ thể vào chổi quét của máy hút bụi (Tóc, v.v.)
- Khi vệ sinh tường hoặc trần nhà, hãy dùng cả hai tay.
 - Dùng cả hai tay để vệ sinh bằng máy hút bụi. Nếu vệ sinh bằng một tay, bạn có thể làm bị thương cổ tay hoặc làm rơi máy hút bụi và gây thương tích hoặc hỏng máy hút bụi.
- Khi lắp ráp máy hút bụi, cẩn thận tránh để kẹt ngón tay hoặc tay vào những nếp gấp chuyển động của tay cầm.
- Không sử dụng máy hút bụi trên những vật dụng có thể dễ dàng bị trầy xước (màn hình, thiết bị bằng thép không gỉ, v.v.).
- Không cất giữ máy hút bụi ở trong xe.
- Không sử dụng nước để vệ sinh máy hút bụi khi đang sử dụng.
- Chỉ sử dụng máy hút bụi ở những nơi khô ráo.
- Không sử dụng máy hút bụi ở nơi ẩm ướt hoặc trên nước.
- Không sử dụng máy hút bụi để hút nước giải khát bị đổ ra hoặc chất thải của thú nuôi.
- Không sử dụng máy hút bụi dưới ánh nắng trực tiếp hoặc nhiệt độ cao.

Thông tin an toàn

Bảo trì

CẢNH BÁO

- Trước khi loại bỏ bụi bẩn trong máy hút bụi, hãy tắt máy hút bụi.
 - Nếu máy hút bụi còn bật trong khi bạn loại bỏ bụi bẩn, bạn có thể bị thương hoặc làm hỏng máy hút bụi.
- Khi vệ sinh phía ngoài sản phẩm, tắt sản phẩm trước và sau đó lau sản phẩm bằng khăn khô. Không được xịt nước trực tiếp lên sản phẩm hoặc lau máy bằng các chất dễ bay hơi như benzen, dung môi hoặc cồn.
 - Nếu nước lọt vào sản phẩm và có lỗi xảy ra, tắt sản phẩm và liên hệ với trung tâm dịch vụ Samsung.
- Vệ sinh bộ gắn tường sau khi rút dây điện của sản phẩm.
- Khi vệ sinh các phần có thể rửa, không sử dụng chất tẩy rửa chứa kiềm, axit, chất tẩy rửa công nghiệp, chất làm mát không khí, axit acetic, v.v.
 - Nếu không có thể gây hư hỏng sản phẩm như nứt phần nhựa, biến dạng, mất màu, mờ phần in, v.v.

CẢN TRỌNG

- Không đẩy máy hút bụi khi máy đang được cất giữ trong bộ gắn tường.
 - Có thể gây ra thương tích, gây hư hại sàn nhà hoặc sản phẩm.

Các phần có thể rửa		Túi đựng bụi, bộ vi lọc có thể rửa, bộ lọc bụi mịn, bộ lọc lưới kim loại, miếng vải khô
Chất tẩy rửa có thể chấp nhận	Trung tính	Chất tẩy rửa chén đĩa
	Kiểm	Oxy lỏng, chất tẩy nấm mốc, v.v.
Chất tẩy rửa bị nghiêm cấm	Axit	Dầu hỏa, chất nhũ hóa, v.v.
	Chất vệ sinh công nghiệp	NV-I, PB-I, Phấn, cồn, axêton, benzen, dung môi, v.v.
	Chất làm mát không khí	Chất làm mát không khí dạng xịt (mùi cà phê, thảo dược, v.v.)
	Dầu	Dầu động vật, dầu thực vật
	v.v.	Axit acetic ăn được, giấm, axit acetic băng, v.v.

Chú ý và cần trọng

Sử dụng pin

LƯU Ý

- Nếu máy hút bụi không hoạt động sau khi sạc pin, hãy thay pin khác. Nếu vẫn không hoạt động khi lắp pin mới, liên hệ trung tâm dịch vụ Samsung.
- Khi bạn mua pin trong trung tâm dịch vụ Samsung, hãy kiểm tra logo Samsung chính hãng trên pin (**SAMSUNG**) và tên pin (Dòng máy VS15A60****: VCA-SBTA60)

CẦN TRỌNG

- Không tháo gỡ pin hoặc bộ gắn tường.
- Không làm nóng pin và không đặt pin vào lửa.
- Vì pin được sản xuất chỉ dùng cho sản phẩm này, không sử dụng pin dùng cho sản phẩm khác hoặc vào các mục đích khác.
- Tháo pin ra khi đang hoạt động có thể làm hỏng sản phẩm.
- Nếu pin được tháo ra khi động cơ máy hút bụi đang hoạt động, pin có thể không hoạt động trong vòng 30 giây sau khi được gắn lại vì lý do an toàn.
- Thời gian sạc và thời gian sử dụng pin có thể bị rút ngắn khi pin được sử dụng càng nhiều. Khi pin không còn sạc được hoặc khi nhanh cạn pin, hãy thay thế pin đã chai bằng pin mới.
- Chỉ sử dụng bộ gắn tường và pin được nhà sản xuất cung cấp.
- Trước khi lắp pin, hãy xác nhận rằng pin được gắn đúng hướng.
- Khi loại bỏ pin không sử dụng được nữa, cho pin vào hộp thu thập pin để tái chế.
- Nếu bạn không sử dụng máy hút bụi trong thời gian dài, hãy tháo pin ra khỏi máy hút bụi.
- Khi lắp pin vào máy hút bụi, hãy gắn vào cho đến khi bạn nghe tiếng tách. Điều đó đảm bảo rằng pin đã được lắp vào chắc chắn.
- Nếu không, pin có thể rơi và gây hư hại sản phẩm hoặc gây thương tích.
- Không để pin rơi, tác động mạnh hoặc để nó bị va chạm.
- Không tháo gỡ pin và đảm bảo rằng bạn không gây đoản mạch giữa các cực dương (+) và âm (-).
- Pin có thể bị rò rỉ dưới các điều kiện sử dụng và nhiệt độ vượt mức. Nếu chất lỏng rò rỉ dính vào da bạn, hãy rửa sạch khu vực bị ảnh hưởng ngay với nước. Nếu chất lỏng rò rỉ dính vào mắt bạn, hãy rửa sạch ngay bằng nước sạch trong ít nhất 10 phút. Sau đó hãy tìm trợ giúp y tế.
- Để bảo vệ động cơ và pin, máy hút bụi có thể không hoạt động trong điều kiện nhiệt độ dưới 5 °C hoặc cao hơn 45 °C.

Chú ý và cẩn trọng

Hoạt động

LƯU Ý

- Nếu tác động lực quá mạnh vào chổi quét hoặc có vật lạ bị mắc kẹt trong bàn chải xoay (trục xoay), chổi quét có thể ngừng hoạt động để bảo vệ động cơ hoặc máy hút bụi. Tắt máy hút bụi, gỡ bỏ vật lạ, sau đó bật lại máy hút bụi. Nếu máy hút bụi không khởi động, hãy tắt và mở lại lần nữa.
- Tình điện có thể xảy ra tùy thuộc vào độ ẩm, nhiệt độ hoặc chất liệu sàn nhà, v.v trong nhà bạn. Nếu nó xảy ra liên tục, hãy liên hệ với trung tâm dịch vụ Samsung.
- Vui lòng sạc đầy pin:
 - Trước sử dụng pin mới mua lần đầu tiên hoặc nếu bạn chưa sử dụng pin trong thời gian dài.
 - Khi đèn báo mức pin ở mức thấp nhất và nhấp nháy.
- Nếu bạn không sử dụng máy hút bụi trong một thời gian dài hoặc bạn sẽ không ở nhà trong một thời gian dài, hãy rút điện bộ gắn tường và lấy pin ra khỏi bộ gắn tường. Khi không được sạc và không được sử dụng, pin sẽ dần dần cạn.
- Khi pin ở mức thấp, hãy sạc lại pin. Nếu pin bị duy trì ở mức thấp trong một khoảng thời gian dài, hiệu suất của pin có thể giảm.

CẢN TRỌNG

- Khi bàn chải xoay (trục xoay) bên trong chổi quét đang hoạt động, không chạm vào chổi quét.
 - Nếu không tay của bạn có thể bị vướng và gây chấn thương.
- Không sử dụng máy hút bụi trên những vật dụng có thể dễ dàng bị trầy xước (TV và màn hình, v.v.).

Bảo trì

LƯU Ý

- Đôi khi bánh xe của chổi quét có thể làm xước mặt sàn. Trước khi sử dụng máy hút bụi, hãy kiểm tra tình trạng bánh xe của chổi quét.
 - Nếu có vật lạ trên bánh xe chổi quét mà không thể lấy ra dễ dàng, hãy liên hệ với trung tâm dịch vụ Samsung.

CẢN TRỌNG

- Để máy hút bụi dưới ánh mặt trời trong nhiều giờ có thể làm các bộ phận máy hút bụi bị biến dạng hoặc mất màu. Do đó, sau khi vệ sinh các bộ phận của máy hút bụi, hãy phơi khô chúng trong bóng râm.
- Không vệ sinh chổi quét của máy hút bụi bằng nước. Vệ sinh nó bằng nước có thể làm chổi quét bị biến dạng hoặc mất màu.
- Trước khi vệ sinh bộ gắn tường, bạn phải rút điện bộ gắn tường.
- Nếu bạn nhận thấy lực hút liên tục giảm hoặc máy hút bụi quá nhiệt bất thường, hãy thay bộ lọc bụi siêu mịn.
- Sau khi vệ sinh <túi đựng bụi>, <bộ lọc lưới kim loại> hoặc <bộ vi lọc có thể rửa> bằng nước, hãy để khô bộ phận này trong bóng râm.
 - Sản phẩm có thể bị biến dạng khi tiếp xúc với nhiệt độ cao.

Xử lý sự cố

Trước khi gọi cho bộ phận dịch vụ, hãy xem lại vấn đề và giải pháp bên dưới. Nếu không có giải pháp khuyến nghị nào có thể giải quyết được vấn đề bạn đang gặp, hãy ghé thăm trang web của chúng tôi tại www.samsung.com hoặc gọi cho Bộ phận Chăm sóc Khách hàng của Samsung. Xin lưu ý rằng bạn sẽ bị tính phí cho bất kỳ cuộc gọi dịch vụ nào mà không tìm thấy lỗi.

Vấn đề	Giải pháp
Máy hút bụi không hoạt động.	<ul style="list-style-type: none">• Kiểm tra mức pin và sạc pin.• Kiểm tra sản phẩm có bị tắt không, sau đó nhấn nút nguồn để bật lại.• Kiểm tra đường ống, túi đựng bụi hoặc chổi quét có bị kẹt không.• Kiểm tra bộ vi lọc có thể rửa đã được gắn chính xác hay chưa.• Nếu máy hút bụi không được sử dụng trong một thời gian dài, hãy sạc pin.• Nếu pin chết, hãy thay pin khác.
Lực hút giảm đột ngột và máy hút bụi tạo ra âm thanh rung.	<ul style="list-style-type: none">• Kiểm tra chổi quét, túi đựng bụi hoặc ống xem có bị nghẹt do các vật lạ không và gỡ bỏ chúng.• Kiểm tra đường ống, túi đựng bụi có chứa đầy bụi không. Nếu đầy, hãy làm sạch túi.• Kiểm tra xem bộ lọc có bị bẩn không. Nếu bẩn, hãy làm sạch bộ lọc.
Máy hút bụi không thể sạc được.	<ul style="list-style-type: none">• Kiểm tra vật lạ (bụi) có trên chân sạc không. Loại bỏ vật lạ bằng gạc cotton hoặc vải mềm.• Kiểm tra máy hút bụi đã được bật chưa và sau đó kiểm tra đèn LED chỉ mức pin có bật chưa.
Bàn chải xoay (trục xoay) bên trong chổi quét không hoạt động.	<ul style="list-style-type: none">• Khi màn hình báo bàn chải xoay bị kẹt, hãy tắt máy hút bụi và kiểm tra xem chổi quét có bị kẹt bởi vật lạ hay không. Nếu đúng, hãy loại bỏ vật lạ và khởi động lại máy hút bụi.• Kiểm tra máy hút bụi có đang bật không và sau đó tắt rồi mở lại lần nữa.<ul style="list-style-type: none">- Đối với Chổi quét phản lực, nếu máy hút bụi quá nóng, có thể mất khoảng 30 phút để động cơ nguội.

Xử lý sự cố

Vấn đề	Giải pháp
Có mùi phát ra từ đường thoát khí hoặc bộ lọc của máy hút bụi.	<ul style="list-style-type: none">• Làm sạch túi đựng bụi và vệ sinh bộ lọc thường xuyên.<ul style="list-style-type: none">- Nếu máy hút bụi của bạn là sản phẩm mới, có thể có mùi nhẹ trong 3 tháng đầu sau khi mua.- Nếu bạn sử dụng máy hút bụi thường xuyên, bụi bẩn tích tụ ở túi đựng bụi hoặc bụi ở bộ lọc có thể gây ra mùi.• Các bộ lọc thay thế có sẵn tại đại lý dịch vụ Samsung tại địa phương của bạn.
Vệ sinh xong nhưng có các hạt bụi nhỏ thoát ra khỏi chổi quét.	<ul style="list-style-type: none">• Sau khi vệ sinh, vận hành máy hút bụi trong 10 giây hoặc lâu hơn để hút hết các hạt bụi nhỏ.
Máy hút bụi ngừng hoạt động trong khi vệ sinh.	<ul style="list-style-type: none">• Vì sản phẩm này có thiết bị chống quá nhiệt cho động cơ, sản phẩm sẽ ngừng hoạt động tạm thời trong những điều kiện sau.<ul style="list-style-type: none">- Khi máy hút bụi vận hành với túi đựng bụi đầy.- Khi máy hút bụi vận hành với bộ phận hút hoặc chổi quét bị nghẽn.- Khi Công cụ nối thêm để làm sạch khe được sử dụng trong nhiều giờ.• Bật lại sản phẩm sau khi khắc phục nguyên nhân của sự cố. (Trường hợp này có thể khác nhau tùy theo nhiệt độ môi trường).
Tĩnh điện xảy ra khi sinh tấm thảm dày và mềm.	<ul style="list-style-type: none">• Chất liệu của tấm thảm (thảm ở trung tâm chăm sóc trẻ, thảm chống ồn giữa các tầng, v.v) có thể gây tĩnh điện.<ul style="list-style-type: none">- Di chuyển chổi quét trên sàn nhà bình thường một lát rồi vệ sinh lại, tĩnh điện sẽ hết.

Đặc tính kỹ thuật của Sản phẩm

Kiểu máy		VS15A60****
Nguồn		100-240 V ~ 50-60 Hz
Điện năng tiêu thụ định mức		410 W
Thông số kỹ thuật pin		Lithium-ion 21.6 V, 1800 mAh, 6 cell
Thời gian sạc		3,5 giờ
Thời gian làm vệ sinh (Mặc định: MID)	Cầm tay	Xấp xỉ 5 phút (chế độ MAX) / Xấp xỉ 20 phút (chế độ MID) / Xấp xỉ 40 phút (chế độ MIN)
	Chổi quét phân lực	Xấp xỉ 5 phút (chế độ MAX) / Xấp xỉ 18 phút (chế độ MID) / Xấp xỉ 27 phút (chế độ MIN)

- Thời gian sạc pin và thời gian làm vệ sinh có thể khác nhau phụ thuộc vào chổi quét và điều kiện sử dụng.

Ghi chú

Ghi chú

Ghi chú

SAMSUNG

Tổng đài CSKH miễn phí: 1800-588889 (tất cả các sản phẩm)

Trang web: www.samsung.com/vn/support

Địa chỉ: SAMSUNG VINA, 25FL Bitexco Financial Tower, Số 2 Hải Triều, phường Bến Nghé,
quận 1 tp.HCM, Vietnam



DJ68-00861J-00