



Register your new Bosch now:  
[www.bosch-home.com/welcome](http://www.bosch-home.com/welcome)



**BOSCH**

**Extractor hood  
Campana extractora  
DHI623GSG, DHI923GSG, DHI923GCL**

[en] Instruction manual ..... 3      [es] Instrucciones de uso ..... 9



# en Table of contents

<b>Important safety information</b> .....	<b>3</b>
<b>Environmental protection</b> .....	<b>5</b>
Saving energy.....	5
Environmentally-friendly disposal.....	5
<b>Operating modes</b> .....	<b>5</b>
Exhaust air mode.....	5
Circulating-air mode.....	5
<b>Operating the appliance</b> .....	<b>6</b>
Filter drawer.....	6
Lighting.....	6
<b>Cleaning and maintenance</b> .....	<b>6</b>

<b>Trouble shooting</b> .....	<b>8</b>
Fault table.....	8
<b>After-sales service</b> .....	<b>8</b>
Accessories for circulating-air mode.....	8

Additional information on products, accessories, replacement parts and services can be found at [www.bosch-home.com](http://www.bosch-home.com) and in the online shop [www.bosch-eshop.com](http://www.bosch-eshop.com)

## ⚠ Important safety information

Read these instructions carefully. Only then will you be able to operate your appliance safely and correctly. Retain the instruction manual and installation instructions for future use or for subsequent owners.

The appliance can only be used safely if it is correctly installed according to the safety instructions. The installer is responsible for ensuring that the appliance works perfectly at its installation location.

This appliance is intended for domestic use and the household environment only. The appliance is not intended for use outside. Do not leave the appliance unattended during operation. The manufacturer is not liable for damage which is caused by improper use or incorrect operation.

This appliance is intended for use up to a maximum height of 2000 metres above sea level.

This appliance may be used by children over the age of 8 years old and by persons with reduced physical, sensory or mental capabilities or by persons with a lack of experience or knowledge if they are supervised or are instructed by a person responsible for their safety how to use the appliance safely and have understood the associated hazards.

Children must not play with, on, or around the appliance. Children must not clean the appliance or carry out general maintenance unless they are at least 15 years old and are being supervised.

Keep children below the age of 8 years old at a safe distance from the appliance and power cable.

Check the appliance for damage after unpacking it. Do not connect the appliance if it has been damaged in transport.

Only a licensed professional may connect appliances without plugs. Damage caused by incorrect connection is not covered under warranty.

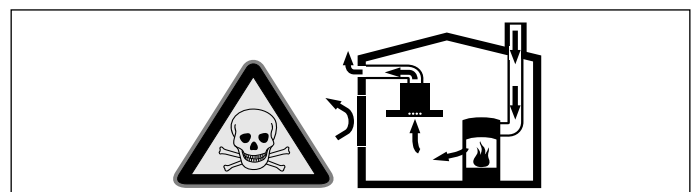
### **Danger of suffocation!**

Packaging material is dangerous to children. Never allow children to play with packaging material.

### **Danger of death!**

Risk of poisoning from flue gases that are drawn back in.

Always ensure adequate fresh air in the room if the appliance is being operated in exhaust air mode at the same time as room air-dependent heat-producing appliance is being operated.



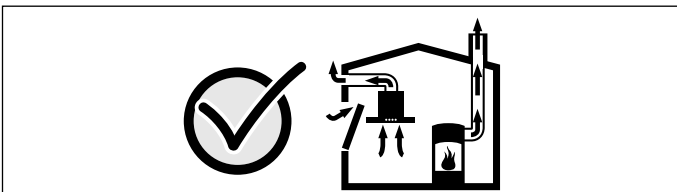
Room air-dependent heat-producing appliances (e.g. gas, oil, wood or coal-operated heaters, continuous flow heaters or water heaters) obtain combustion air from the room in which they are installed and discharge the exhaust gases into the open air through an exhaust gas system (e.g. a chimney).

In combination with an activated vapour extractor hood, room air is extracted from the kitchen and neighbouring rooms - a partial vacuum is produced if not enough

fresh air is supplied. Toxic gases from the chimney or the extraction shaft are sucked back into the living space.

- Adequate incoming air must therefore always be ensured.
- An incoming/exhaust air wall box alone will not ensure compliance with the limit.

Safe operation is possible only when the partial vacuum in the place where the heat-producing appliance is installed does not exceed 4 Pa (0.04 mbar). This can be achieved when the air needed for combustion is able to enter through openings that cannot be sealed, for example in doors, windows, incoming/exhaust air wall boxes or by other technical means.



In any case, consult your responsible Master Chimney Sweep. He is able to assess the house's entire ventilation setup and will suggest the suitable ventilation measures to you.

Unrestricted operation is possible if the vapour extractor hood is operated exclusively in the circulating-air mode.

### **Risk of fire!**

- Grease deposits in the grease filter may catch fire.

#### **Clean the grease filter at least every 2 months.**

Never operate the appliance without the grease filter.

- Grease deposits in the grease filter may catch fire. Never work with naked flames close to the appliance (e.g. flambéing). Do not install the appliance near a heat-producing appliance for solid fuel (e.g. wood or coal) unless a closed, non-removable cover is available. There must be no flying sparks.
- Hot oil and fat can ignite very quickly. Never leave hot fat or oil unattended. Never use water to put out burning oil or fat. Switch off the hotplate. Extinguish flames carefully using a lid, fire blanket or something similar.

- When gas burners are in operation without any cookware placed on them, they can build up a lot of heat. A ventilation appliance installed above the cooker may become damaged or catch fire. Only operate the gas burners with cookware on them.
- Operating several gas burners at the same time gives rise to a great deal of heat. A ventilation appliance installed above the cooker may become damaged or catch fire. Never operate two gas burners simultaneously on the highest flame for longer than 15 minutes. One large burner of more than 5 kW (wok) is equivalent to the power of two gas burners.

### **Risk of burns!**

The accessible parts become very hot when in operation. Never touch hot parts. Keep children at a safe distance.

### **Risk of injury!**

- Components inside the appliance may have sharp edges. Wear protective gloves.
- Items placed on the appliance may fall down. Do not place any objects on the appliance.

### **Risk of electric shock!**

- A defective appliance may cause electric shock. Never switch on a defective appliance. Unplug the appliance from the mains or switch off the circuit breaker in the fuse box. Contact the after-sales service.
- Incorrect repairs are dangerous. Repairs may only be carried out and damaged power cables replaced by one of our trained after-sales technicians. If the appliance is defective, unplug the appliance from the mains or switch off the circuit breaker in the fuse box. Contact the after-sales service.
- Do not use any high-pressure cleaners or steam cleaners, which can result in an electric shock.

## Causes of damage

### Caution!

Risk of damage due to corrosion. Always switch on the appliance while cooking to avoid condensation. Condensate can produce corrosion damage.

Always replace faulty bulbs to prevent the remaining bulbs from overloading.

Risk of damage due to ingress of humidity into the electronic circuitry. Never clean operator controls with a wet cloth.

Surface damage due to incorrect cleaning. Clean stainless steel surfaces in the direction of the grain only. Do not use any stainless steel cleaners for operator controls.

Surface damage due to strong or abrasive cleaning agents. Never use strong and abrasive cleaning agents.

Risk of damage from returning condensate. Install the exhaust duct in such a way that it falls away from the appliance slightly (1° slope).

---

## Environmental protection

Your new appliance is particularly energy-efficient. Here you can find tips on how to save even more energy when using the appliance, and how to dispose of your appliance properly.

### Saving energy

- During cooking, ensure that there is a sufficient supply of air to enable the extractor hood to work efficiently and with a low level of operating noise.
- Adjust the fan speed to the amount of steam produced during cooking. Only use intensive mode when required. The lower the fan speed, the less energy is consumed.
- If cooking produces large amounts of steam, select a higher fan speed in good time. If the cooking steam has already spread around the kitchen, the extractor hood will need to be operated for longer.
- Switch off the extractor hood if you no longer require it.

- Switch off the lighting if you no longer require it.
- Clean and (if required) replace the filter at regular intervals in order to increase the effectiveness of the ventilation system and to prevent the risk of fire.
- Put the lid on to reduce cooking steam and condensation.

### Environmentally-friendly disposal

Dispose of packaging in an environmentally-friendly manner.



This appliance is labelled in accordance with European Directive 2012/19/EU concerning used electrical and electronic appliances (waste electrical and electronic equipment - WEEE). The guideline determines the framework for the return and recycling of used appliances as applicable throughout the EU.

---

## Operating modes

This appliance can be used in exhaust-air mode or circulating-air mode.

### Exhaust air mode



The air which is drawn in is cleaned by the grease filters and conveyed to the exterior by a pipe system.

**Note:** The exhaust air must not be conveyed into a functioning smoke or exhaust gas flue or into a shaft which is used to ventilate installation rooms which contain heat-producing appliances.

- Before conveying the exhaust air into a non-functioning smoke or exhaust gas flue, obtain the consent of the heating engineer responsible.
- If the exhaust air is conveyed through the outer wall, a telescopic wall box should be used.

### Circulating-air mode



The air which is drawn in is cleaned by the grease filters and an activated carbon filter and conveyed back into the kitchen.

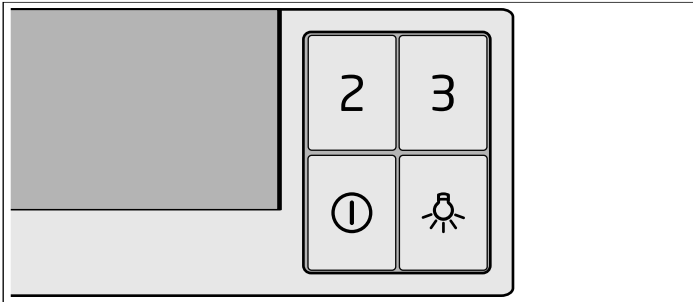
**Note:** To bind odours in circulating-air mode, you must install an activated carbon filter. The different options for operating the appliance in circulating-air mode can be found in the brochure. Alternatively, ask your dealer. The required accessories are available from specialist outlets, from customer service or from the Online Shop. The accessory numbers can be found at the end of the instructions for use.

# Operating the appliance

These instructions apply to several appliance variants. It is possible that individual features are described which do not apply to your appliance.

**Note:** Switch on the extractor hood when you start cooking and switch it off again several minutes after you have finished cooking. This is the most effective way of removing the kitchen fumes.

## Control panel



### Explanation

	Light On/Off
①	Fan Off/Fan speed 1
2	Fan speed 2
3	Fan speed 3

## Filter drawer

### Pulling out the filter drawer

Hold the filter drawer by the middle and pull it out.

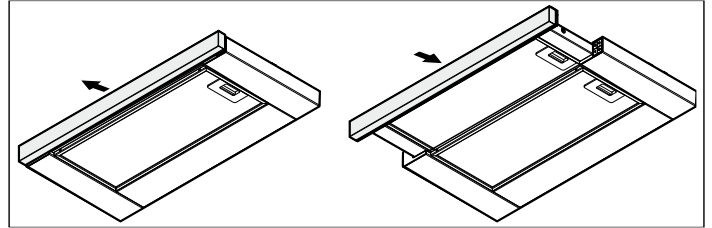
The control panel is accessible and the appliance is ready for operation.

**Note:** Start the appliance with the functions which were set when the drawer was closed.

### Pushing the filter drawer in

Hold the filter drawer by the middle and push it in.

**Note:** The ventilation is switched off when the drawer is closed, the light stays on.



## Setting the fan

**Note:** Always adjust the fan strength to meet current conditions. If there is a large build-up of steam or fumes, select a high fan setting.

### Switching on

Press the ①, 2 or 3 button.

### Switching off

Press the ① button.

## Lighting

The lighting can be switched on and off independently of the ventilation.

Press the button.

# Cleaning and maintenance

## Risk of burns!

The appliance will become hot during operation, especially near the bulbs. Allow the appliance to cool down before cleaning.

## Risk of electric shock!

Penetrating moisture may result in an electric shock. Clean the appliance using a damp cloth only. Before cleaning, pull out the mains plug or switch off the circuit breaker in the fuse box.

## Risk of electric shock!

Do not use any high-pressure cleaners or steam cleaners, which can result in an electric shock.

## Risk of injury!

Components inside the appliance may have sharp edges. Wear protective gloves.

## Cleaning agents

To ensure that the different surfaces are not damaged by using the wrong cleaning agent, observe the information in the table. Do not use any of the following:

- Harsh or abrasive cleaning agents,
- Cleaning agents with a high alcohol content,
- Hard scouring pads or cleaning sponges,
- High-pressure cleaners or steam cleaners.

Wash new sponge cloths thoroughly before use.

Follow all instructions and warnings included with the cleaning agents.

Area	Cleaning agent
Stainless steel	Hot soapy water: Clean with a dish cloth and then dry with a soft cloth.  Clean stainless steel surfaces in the grind direction only.  Special stainless steel cleaning products are available from our after-sales service or from specialist retailers. Apply a very thin layer of the cleaning product with a soft cloth.
Painted surfaces	Hot soapy water: Clean using a damp dish cloth and dry with a soft cloth/towel.  Do not use any stainless steel cleaners.
Aluminium and plastic	Glass cleaner: Clean with a soft cloth.
Glass	Glass cleaner: Clean with a soft cloth. Do not use a glass scraper.
Controls	Hot soapy water: Clean using a damp dish cloth and dry with a soft cloth/towel.  Risk of electric shock caused by penetrating moisture.  Risk of damage to the electronics from penetrating moisture. Never clean operating controls with a wet cloth.  Do not use any stainless steel cleaners.

## Cleaning the metal mesh grease filters

These instructions apply to several appliance variants. It is possible that individual features are described which do not apply to your appliance.

### Risk of fire!

Grease deposits in the grease filter may catch fire.

**Clean the grease filter at least every 2 months.**

Never operate the appliance without the grease filter.

### Notes

- Do not use any aggressive, acidic or alkaline cleaning agents.
- When cleaning the metal mesh grease filters, also clean the holder for the metal mesh grease filters in the appliance using a damp cloth.
- The metal mesh grease filters can be cleaned in the dishwasher or by hand.

### By hand:

**Note:** You can use a special grease solvent for stubborn dirt. It can be ordered via the Online Shop.

- Soak the metal mesh grease filters in a hot soapy solution.
- Clean the filters with a brush and then rinse them thoroughly.
- Leave the metal mesh grease filters to drain.

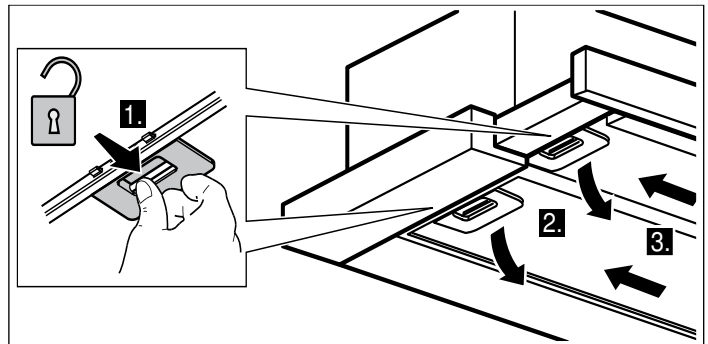
### In the dishwasher:

**Note:** If the metal mesh grease filters are cleaned in the dishwasher, slight discolouration may occur. This has no effect on the function of the metal mesh grease filters.

- Do not clean heavily soiled metal mesh grease filters together with utensils.
- Place the metal mesh grease filters loosely in the dishwasher. The metal mesh grease filters must not be wedged in.

## Removing metal grease filter

1. Open the lock and swing down the metal grease filter. When you do this, take hold of the metal grease filter from underneath with your other hand.
2. Take the metal grease filter out of the holder.



**Note:** Fat may accumulate in the bottom of the metal grease filter. Hold the metal grease filter level to prevent fat from dripping out.

3. Clean the metal grease filters.
4. After removing the filters, clean the inside of the appliance.

## Installing the metal mesh grease filter

1. Insert the metal mesh grease filter.  
While doing this, place the other hand under the metal mesh grease filter.
2. Fold the metal mesh grease filter upwards, locking it in place.

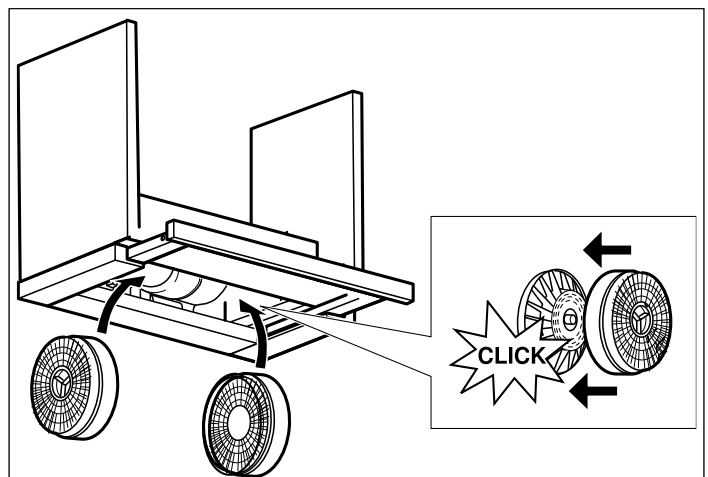
## Changing the activated charcoal filter (only in circulating-air mode)

In order to guarantee efficient odour filtration, the filter must be serviced regularly.

The activated charcoal filters must be replaced at least every 4 months.

### Notes

- The activated charcoal filters are not included in the delivery. The activated charcoal filters can be obtained from specialist retailers, from our after-sales service or from the Online Shop.
  - The activated charcoal filters cannot be cleaned or reactivated.
1. For removing the metal grease filter, see above.
  2. Withdraw the old activated charcoal filters from the holder.
  3. Press the new activated charcoal filters onto the holder until they can be heard to lock in place.



4. For fitting the metal grease filter, see above.

# Trouble shooting

Malfunctions often have simple explanations. Please read the following notes before calling the after-sales service.

## **⚠ Risk of electric shock!**

Incorrect repairs are dangerous. Repairs may only be carried out and damaged power cables replaced by one of our trained after-sales technicians. If the appliance is defective, unplug the appliance from the mains or switch off the circuit breaker in the fuse box. Contact the after-sales service.

## Fault table

Problem	Possible cause	Solution
The appliance does not work	The plug is not plugged into the mains	Connect the appliance to the power supply
	Power cut	Check whether other kitchen appliances are working
	The fuse is faulty	Check in the fuse box to make sure that the fuse for the appliance is in working order
The lighting does not work.	The LED lights are defective.	You can read about this in the section entitled "Replacing the LED lights".

## Replacing the LED lights

### **⚠ Risk of electric shock!**

When changing the bulbs, the bulb socket contacts are live. Before changing the bulb, unplug the appliance from the mains or switch off the circuit breaker in the fuse box.

### **⚠ Risk of injury!**

The light emitted by LED lights is very dazzling, and can damage the eyes (risk group 1). Do not look directly into the switched on LED lights for longer than 100 seconds.

**Important!** Only use bulbs of the same type and wattage.



1. Disconnect the appliance from the power supply.
2. Remove the metal grease filter.
3. Unscrew the bulb and replace it with a bulb of the same type.
4. Fit the metal grease filters.
5. Plug in the mains plug and switch the circuit breaker back on.

# After-sales service

Our after-sales service is there for you if your appliance needs to be repaired. We will always find the right solution in order to avoid unnecessary visits from a service technician.

When calling us, please give the product number (E no.) and the production number (FD no.) so that we can provide you with the correct advice. The rating plate with these numbers can be found inside the appliance (remove the metal mesh grease filter to gain access).

You can make a note of the numbers of your appliance and the telephone number of the after-sales service in the space below to save time should it be required.

E no.	FD no.

## After-sales service ☎

Please be aware that a visit by an after-sales engineer will be charged if a problem turns out to be the result of operator error, even during the warranty period.

Please find the contact data of all countries in the enclosed customer service list.

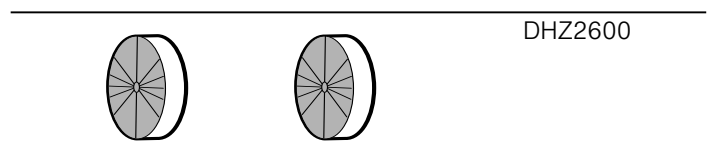
### To book an engineer visit and product advice

- GB** 0344 892 8979  
Calls charged at local or mobile rate.
- IE** 01450 2655  
0.03 € per minute at peak. Off peak 0.0088 € per minute.

Rely on the professionalism of the manufacturer. You can therefore be sure that the repair is carried out by trained service technicians who carry original spare parts for your appliances.

## Accessories for circulating-air mode

(not included in the delivery)





**Indicaciones de seguridad importantes**.....9  
**Protección del medio ambiente** ..... 11  
 Ahorro de energía..... 11  
 Eliminación de residuos respetuosa con el medio ambiente. 11  
**Modos de funcionamiento**..... 12  
 Funcionamiento en salida de aire al exterior ..... 12  
 Funcionamiento en recirculación..... 12  
**Manejar el aparato**..... 12  
 Corredera del filtro..... 12  
 Iluminación ..... 12  
**Limpeza y mantenimiento** ..... 13

**¿Qué hacer en caso de avería?** ..... 14  
 Tabla de averías..... 14  
**Servicio de Asistencia Técnica**..... 15  
 Accesorio de recirculación ..... 15

Encontrará más información sobre productos, accesorios, piezas de repuesto y servicios en internet: [www.bosch-home.com](http://www.bosch-home.com) y también en la tienda online: [www.bosch-eshop.com](http://www.bosch-eshop.com)

## ⚠ Indicaciones de seguridad importantes

Leer con atención las siguientes instrucciones. Solo así se puede manejar el aparato de forma correcta y segura. Conservar las instrucciones de uso y montaje para utilizarlas más adelante o para posibles futuros compradores.

Solamente un montaje profesional conforme a las instrucciones de montaje puede garantizar un uso seguro del aparato. El instalador es responsable del funcionamiento perfecto en el lugar de instalación.

Este aparato ha sido diseñado para uso doméstico. Este aparato no puede usarse en exteriores. Vigilarlo mientras está funcionando. El fabricante no asume ninguna responsabilidad en caso de daños derivados de un uso indebido o un manejo incorrecto.

Este aparato está previsto para ser utilizado a una altura máxima de 2.000 metros sobre el nivel del mar.

Este aparato puede ser utilizado por niños a partir de 8 años y por personas con limitaciones físicas, sensoriales o psíquicas, o que carezcan de experiencia y conocimientos, siempre y cuando sea bajo la supervisión de una persona responsable de su seguridad o que le haya instruido en el uso correcto del aparato siendo consciente de los daños que se pudieran ocasionar.

No dejar que los niños jueguen con el aparato. La limpieza y el mantenimiento rutinario no deben encomendarse a los niños a menos que sean mayores de 15 años y lo hagan bajo supervisión.

Mantener a los niños menores de 8 años alejados del aparato y del cable de conexión.

Comprobar el aparato al sacarlo de su embalaje. El aparato no debe conectarse en caso de haber sufrido daños durante el transporte.

Los aparatos sin enchufe deben ser conectados exclusivamente por técnicos especialistas autorizados. Los daños provocados por una conexión incorrecta no están cubiertos por la garantía.

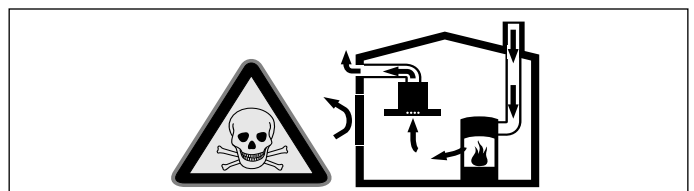
### ¡Peligro de asfixia!

El material de embalaje es peligroso para los niños. No dejar que los niños jueguen con el material de embalaje.

### ¡Peligro mortal!

Los gases de combustión que se vuelven a aspirar pueden ocasionar intoxicaciones.

Garantice una entrada de aire suficiente si el aparato se emplea en modo de funcionamiento en salida de aire al exterior junto con un equipo calefactor dependiente del aire del recinto de instalación.



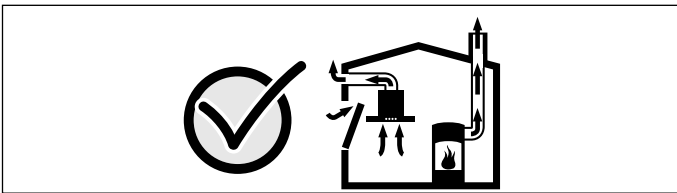
Los equipos calefactores que dependen del aire del recinto de instalación (p. ej., calefactores de gas, aceite, madera o carbón, calentadores de salida libre, calentadores de agua) adquieren aire de combustión del recinto de instalación y evacuan los gases de escape al exterior a

través de un sistema extractor (p. ej., una chimenea).

En combinación con una campana extractora conectada se extrae aire de la cocina y de las habitaciones próximas; sin una entrada de aire suficiente se genera una depresión. Los gases venenosos procedentes de la chimenea o del hueco de ventilación se vuelven a aspirar en las habitaciones.

- Por tanto, asegurarse de que siempre haya una entrada de aire suficiente.
- Un pasamuros de entrada/salida de aire no es garantía por sí solo del cumplimiento del valor límite.

A fin de garantizar un funcionamiento seguro, la depresión en el recinto de instalación de los equipos calefactores no debe superar 4 Pa (0,04 mbar). Esto se consigue si, mediante aberturas que no se pueden cerrar, p. ej., en puertas, ventanas, en combinación con un pasamuros de entrada/salida de aire o mediante otras medidas técnicas, se puede hacer recircular el aire necesario para la combustión.



Pedir siempre asesoramiento al técnico competente de su región, que estará en condiciones de evaluar todo el sistema de ventilación de su hogar y recomendarle las medidas adecuadas en materia de ventilación.

Si la campana extractora se utiliza exclusivamente en funcionamiento en recirculación, no hay limitaciones para el funcionamiento.

## ¡Peligro de incendio!

- Los depósitos de grasa del filtro de grasas pueden prenderse.  
**Los filtros de grasa deben limpiarse por lo menos cada 2 meses.**  
No usar nunca el aparato sin filtro de grasa.
- Los depósitos de grasa del filtro de grasas pueden prenderse. Nunca trabaje con una llama directa cerca del aparato (p. ej., flambear). Instalar el aparato cerca de un equipo calefactor para combustibles sólidos (p. ej., madera o carbón) solo si se dispone de una cubierta cerrada no desmontable. No deben saltar chispas.
- El aceite caliente y la grasa se inflaman con facilidad. Estar siempre pendiente del aceite caliente y de la grasa. No apagar nunca con agua un fuego. Apagar la zona de cocción. Sofocar con cuidado las llamas con una tapa, una tapa extintora u otro medio similar.
- Los fogones de gas en los que no se haya colocado ningún recipiente para cocinar encima, generan gran cantidad de calor durante su funcionamiento. Eso puede dañar o incendiar el aparato de ventilación situado encima. Utilizar los fogones de gas únicamente colocando encima recipientes para cocinar.
- Cuando se usan simultáneamente varios fogones de gas se genera mucho calor. Eso puede dañar o incendiar el aparato de ventilación situado encima. No utilizar simultáneamente durante más de 15 minutos dos zonas de cocción de gas con una llama grande. Un quemador grande con más de 5 kW (wok) equivale a la potencia de dos quemadores de gas.

## ¡Peligro de quemaduras!

Las partes accesibles se calientan durante el funcionamiento. No tocar nunca las partes calientes. No dejar que los niños se acerquen.

## ¡Peligro de lesiones!

- Las piezas internas del aparato pueden tener bordes afilados. Usar guantes protectores.
- Los objetos situados sobre el aparato pueden caerse. No colocar objetos sobre el aparato.

## ¡Peligro de descarga eléctrica!

- Un aparato defectuoso puede ocasionar una descarga eléctrica. No conectar nunca un aparato defectuoso. Desenchufar el aparato de la red o desconectar el interruptor automático del cuadro eléctrico. Avisar al Servicio de Asistencia Técnica.
- Las reparaciones inadecuadas son peligrosas. Las reparaciones y la sustitución de cables de conexión defectuosos solo pueden ser efectuadas por personal del Servicio de Asistencia Técnica debidamente instruido. Si el aparato está averiado, desenchufarlo de la red o desconectar el interruptor automático del cuadro eléctrico. Avisar al Servicio de Asistencia Técnica.
- No utilizar ni limpiadores de alta presión ni por chorro de vapor. La humedad interior puede provocar una descarga eléctrica.

## Causas de daños

### ¡Atención!

Peligro de daños por corrosión Encender siempre el aparato cuando se vaya a cocinar con el fin de evitar la formación de agua condensada. El agua condensada puede conllevar daños por corrosión.

Limpiar de inmediato las bombillas defectuosas para evitar una sobrecarga en el resto.

Peligro de daños por humedad en el interior del sistema electrónico. No limpiar nunca los elementos de mando con un paño húmedo.

Daños en la superficie en caso de limpieza indebida. Limpiar las superficies de acero inoxidable siempre en la dirección del pulido. No utilizar limpiadores específicos para acero inoxidable para la limpieza de los elementos de mando.

Daños en la superficie en caso de utilizar productos de limpieza abrasivos o corrosivos. No utilizar nunca productos de limpieza abrasivos o corrosivos.

Peligro de daños por recirculación del vapor condensado. Instalar el canal de salida de aire del aparato ligeramente inclinado hacia abajo (1° de desnivel).

## Protección del medio ambiente

Su nuevo aparato presenta una gran eficiencia energética. Aquí se ofrecen consejos sobre cómo manejar el aparato ahorrando más energía y cómo desecharlo correctamente.

### Ahorro de energía

- Al cocinar debe asegurarse de que haya suficiente ventilación para que la campana extractora trabaje de forma eficiente y con poco ruido.
- Se debe adaptar el nivel del ventilador a la intensidad de los vapores de cocción. El nivel intensivo solo debe utilizarse en caso necesario. Cuanto menor sea el nivel del ventilador, menor será el consumo de energía.
- En el caso de vapores de cocción intensos, seleccionar desde el principio un nivel de ventilador elevado. Si ya hay vapores de cocción presentes en la cocina, la campana extractora deberá dejarse en marcha durante más tiempo.
- Desconectar la campana extractora cuando ya no se requiera su uso.
- Desconectar la iluminación cuando ya no se requiera su uso.
- Limpiar o cambiar los filtros en los intervalos indicados para aumentar el rendimiento de la ventilación y evitar el riesgo de incendio.
- Colocar la tapa para reducir el vapor de cocción y la condensación.

### Eliminación de residuos respetuosa con el medio ambiente



Eliminar el embalaje de forma ecológica.



Este aparato está marcado con el símbolo de cumplimiento con la Directiva Europea 2012/19/UE relativa a los aparatos eléctricos y electrónicos usados (Residuos de aparatos eléctricos y electrónicos RAEE).

La directiva proporciona el marco general válido en todo el ámbito de la Unión Europea para la retirada y la reutilización de los residuos de los aparatos eléctricos y electrónicos.

# Modos de funcionamiento

Este aparato puede utilizarse en funcionamiento con salida de aire o en recirculación.

## Funcionamiento en salida de aire al exterior



El aire aspirado se depura a través de filtros antigrasa y se evacua al exterior mediante un sistema de tubos.

**Nota:** La salida de aire no debe transmitirse ni a una chimenea de humos o gases de escape en servicio ni a un hueco que sirva como ventilación de los recintos de instalación de equipos calefactores.

- Si la salida de aire se va a evacuar en una chimenea de humos o gases de escape que no está en servicio, será necesario contar previamente con la aprobación correspondiente del técnico competente de la zona.
- Si la salida de aire se evacua mediante la pared exterior, se deberá utilizar un pasamuros telescópico.

## Funcionamiento en recirculación



El aire aspirado se depura a través de filtros antigrasa y un filtro de carbono activo y se vuelve a suministrar a la cocina.

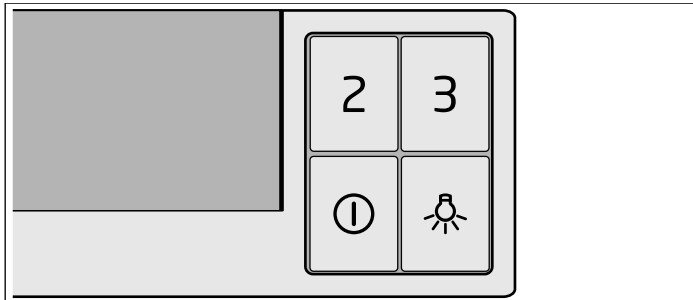
**Nota:** Para neutralizar los olores durante el funcionamiento en recirculación, debe montarse un filtro de carbono activo. Para conocer todas las posibilidades que ofrece el funcionamiento en recirculación del aparato, remitirse a la documentación correspondiente o consultar en un comercio especializado. Los accesorios necesarios para tal fin pueden adquirirse en comercios especializados, en el Servicio de Asistencia Técnica o en la tienda on-line. Los códigos de accesorios figuran al final de las instrucciones de uso.

# Manejar el aparato

Este manual es válido para distintas variantes de aparato. Es posible que se describan características de equipamiento que no aludan a su aparato.

**Nota:** Encender la campana extractora al empezar a cocinar y apagarla unos minutos después de haber finalizado con las tareas de cocción. De esta manera se neutralizarán con gran efectividad los vapores que se desprenden al cocinar.

## Panel de mando



### Explicación

	Luz encendida/apagada
①	Ventilador apagado/nivel 1
2	Nivel 2
3	Nivel 3

## Corredera del filtro

### Extraer la corredera del filtro

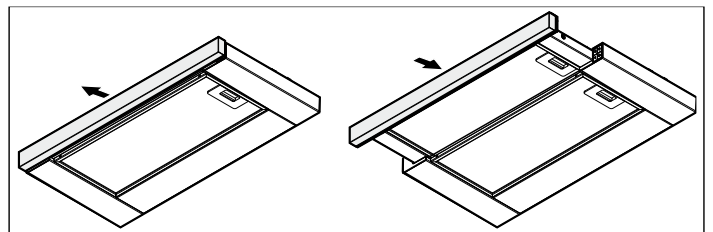
Agarrar la corredera del filtro por la parte central y tirar de ella. La pantalla de mando es accesible y el aparato está listo para el funcionamiento.

**Nota:** Encender el aparato con las funciones que estaban ajustadas al cerrarlo.

### Introducir la corredera del filtro

Agarrar la corredera del filtro por la parte central e introducirla.

**Nota:** La ventilación se desconecta con el cierre, la iluminación sigue conectada.



## Ajustar el ventilador

**Nota:** Ajustar siempre la potencia del ventilador a la circunstancia actual. Si se forma mucho vapor, seleccionar también una potencia de ventilación alta.

### Encendido

Pulsar la tecla ①, 2 o 3.

### Apagar

Pulsar la tecla ①.

## Iluminación

La iluminación se puede encender y apagar de forma independiente de la ventilación.

Pulsar la tecla

# Limpieza y mantenimiento

## ⚠ ¡Peligro de quemaduras!

El aparato se calienta durante el funcionamiento, sobre todo en la zona de las bombillas. Antes de proceder a la limpieza del aparato, dejar que se enfríe.

## ⚠ ¡Peligro de descarga eléctrica!

Si penetra humedad, eso puede causar una descarga eléctrica. Limpiar el aparato solo con un paño húmedo. Antes de la limpieza hay que desconectar el enchufe o los fusibles de la caja de fusibles.

## ⚠ ¡Peligro de descarga eléctrica!

No utilizar ni limpiadores de alta presión ni por chorro de vapor. La humedad interior puede provocar una descarga eléctrica.

## ⚠ ¡Peligro de lesiones!

Las piezas internas del aparato pueden tener bordes afilados. Usar guantes protectores.

## Productos de limpieza

Consultar las indicaciones de la tabla a fin de no dañar las distintas superficies con productos de limpieza inapropiados. No utilizar lo siguiente:

- productos de limpieza abrasivos o corrosivos,
- productos de limpieza con un alto contenido alcohólico,
- estropajos o esponjas de fibra dura,
- limpiadores de alta presión o por chorro de vapor.

Lavar a fondo las bayetas nuevas antes de usarlas.

Respetar todas las instrucciones y avisos que incluyen los productos de limpieza.

Tipo	Productos de limpieza
Acero inoxidable	Agua caliente con un poco de jabón: Limpiar con una bayeta y secar con un paño suave. Limpiar las superficies de acero fino siempre en la dirección del pulido. Se pueden adquirir productos de limpieza de acero especiales en el Servicio de Atención al Cliente o en comercios especializados. Aplicar una capa muy fina del producto de limpieza con un paño suave.
Superficies barnizadas	Agua caliente con un poco de jabón: Limpiar con una bayeta húmeda y secar con un paño suave. No usar limpiadores para acero fino.
Aluminio y plástico	Limpiacristales: Limpiar con un paño suave.
Vidrio	Limpiacristales: Limpiar con un paño suave. No utilizar rasquetas de vidrio.
Mandos	Agua caliente con un poco de jabón: Limpiar con una bayeta húmeda y secar con un paño suave. Peligro de descarga eléctrica por humedad. Peligro de daños por humedad en el interior del sistema electrónico. No limpiar nunca los mandos con un paño húmedo. No usar limpiadores para acero fino.

## Limpiar el filtro de metal antigrasa

Este manual es válido para distintas variantes de aparato. Es posible que se describan características de equipamiento que no aludan a su aparato.

## ⚠ ¡Peligro de incendio!

Los depósitos de grasa del filtro de grasas pueden prenderse.

**Los filtros de grasa deben limpiarse por lo menos cada 2 meses.**

No usar nunca el aparato sin filtro de grasa.

### Notas

- No utilizar productos de limpieza agresivos a base de ácidos o lejía.
- Al limpiar los filtros de metal antigrasa, limpiar también el soporte de los filtros de metal antigrasa en el aparato con un paño húmedo.
- Los filtros de metal antigrasa se pueden limpiar a mano o en el lavavajillas.

### A mano:

**Nota:** En caso de suciedad fuertemente incrustada se puede utilizar un disolvente de grasa. Se puede solicitar a través de la tienda on-line.

- Remojar los filtros de metal antigrasa en agua caliente con jabón.
- Utilizar un cepillo para la limpieza y a continuación enjuagar bien los filtros.
- Dejar escurrir los filtros de metal antigrasa.

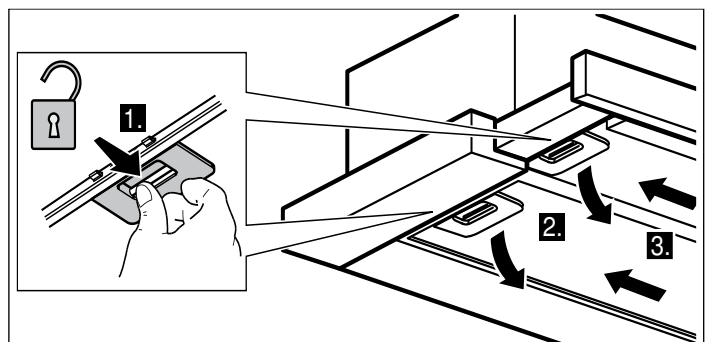
### En el lavavajillas:

**Nota:** La limpieza en el lavavajillas podría conllevar ligeras decoloraciones. Esto no afecta al funcionamiento normal de los filtros de metal antigrasa.

- No lavar los filtros de metal antigrasa junto con el resto de la vajilla si están muy sucios.
- Colocar debidamente los filtros de metal antigrasa en el lavavajillas. Los filtros de metal antigrasa no deben quedar aprisionados.

## Desmontar el filtro de metal antigrasa

1. Abrir el bloqueo y abatir el filtro metálico antigrasa. Para ello, agarrar por debajo el filtro metálico antigrasa con la otra mano.
2. Extraer el filtro metálico antigrasa del soporte.



**Nota:** La grasa puede acumularse en la parte inferior del filtro metálico antigrasa. Sujetar el filtro metálico antigrasa en posición horizontal para evitar que gotee grasa.

3. Limpiar el filtro metálico antigrasa.
4. Tras desmontar el filtro hay que limpiar el aparato por dentro.

## Montar el filtro de metal antigrasa

1. Colocar el filtro de metal antigrasa.  
Agarrar por debajo el filtro de metal antigrasa con la otra mano.
2. Plegar hacia arriba el filtro de metal antigrasa y fijar el bloqueo.

## Sustituir el filtro de carbono activo (solo en funcionamiento con recirculación de aire)

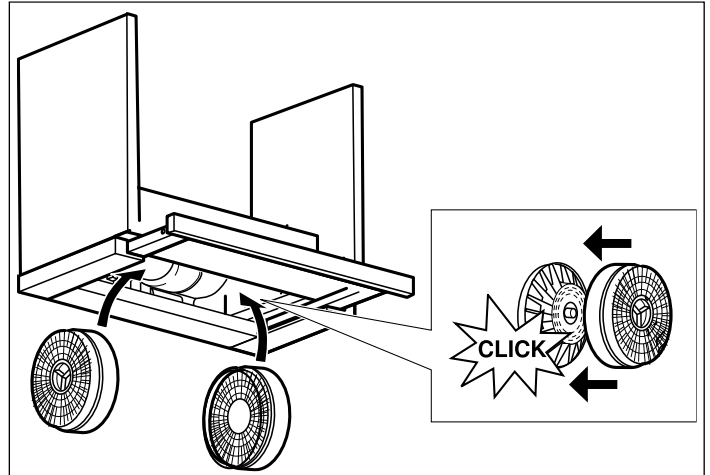
Para garantizar un buen grado de disipación del olor, se debe revisar el filtro habitualmente.

Los filtros de carbono activo deben sustituirse al menos cada 4 meses.

### Notas

- La dotación de serie no incluye los filtros de carbono activo. Estos pueden adquirirse en comercios especializados, en el Servicio de Asistencia Técnica o en la tienda en línea.
- Los filtros de carbono activo no se pueden limpiar ni volver a activar.

1. Desmontar el filtro metálico antigrasa, véase arriba.
2. Extraer el filtro de carbono activo antiguo del soporte.
3. Introducir el nuevo filtro de carbono activo en el soporte y presionar hasta que encaje de forma audible.



4. Montar el filtro metálico antigrasa, véase arriba.

## ¿Qué hacer en caso de avería?

Muchas veces usted mismo podrá eliminar las fallas que se presenten. Antes de llamar el servicio al cliente, tenga en cuenta las siguientes indicaciones.

### ⚠ ¡Peligro de descarga eléctrica!

Las reparaciones inadecuadas son peligrosas. Las reparaciones y la sustitución de cables de conexión defectuosos solo pueden ser efectuadas por personal del Servicio de Asistencia Técnica debidamente instruido. Si el aparato está averiado, desenchufarlo de la red o desconectar el interruptor automático del cuadro eléctrico. Avisar al Servicio de Asistencia Técnica.

## Tabla de averías

Avería	Posible causa	Solución
El aparato no funciona	El enchufe no está conectado a la red	Enchufar el aparato a la red eléctrica
	Corte en el suministro eléctrico	Comprobar si los demás electrodomésticos de cocina funcionan
	El fusible está dañado	Comprobar en la caja de fusibles si el fusible del aparato funciona correctamente
La iluminación no funciona.	Las luces LED están estropeadas.	A este respecto, consultar el apartado «Sustituir las luces LED».

## Sustituir las luces LED

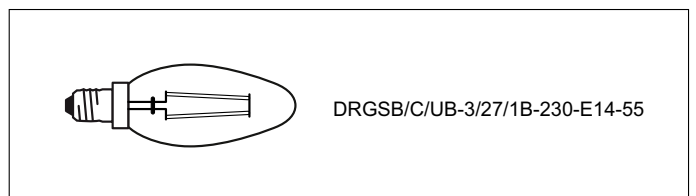
### ⚠ ¡Peligro de descarga eléctrica!

Al sustituir las bombillas, los contactos del portalámparas están bajo corriente. Antes de sustituirlos, desenchufar el aparato de la red o desconectar el fusible de la caja de fusibles.

### ⚠ ¡Peligro de lesiones!

La luz de las iluminaciones LED es muy deslumbrante y puede dañar los ojos (grupo de riesgo 1). No mirar más de 100 segundos directamente a las luces LED encendidas.

**Importante** Utilizar solo lámparas de igual tipo y potencia.



1. Desconectar el aparato de la corriente.
2. Desmontar el filtro de metal antigrasa.
3. Desenroscar la bombilla y sustituirla por otra del mismo tipo.
4. Montar el filtro de metal antigrasa.
5. Conectar el enchufe a la red eléctrica o conectar de nuevo el fusible.

---

# Servicio de Asistencia Técnica

Nuestro Servicio de Asistencia Técnica se encuentra a su disposición siempre que necesite la reparación de su aparato. Encontraremos la solución correcta; también a fin de evitar la visita innecesaria de un técnico de servicio.

Indicar el número de producto (n.º E) y el de fabricación (n.º FD) para obtener un asesoramiento cualificado. La etiqueta de características con la numeración se encuentra en el interior del aparato (desmontar el filtro de metal antigrasa).

A fin de evitarse molestias llegado el momento, le recomendamos anotar los datos de su aparato así como el número de teléfono del Servicio de Asistencia Técnica en el siguiente apartado.

---

N.º de producto	N.º de fabricación
<b>Servicio de Asistencia Técnica</b> ☎	

---

Recuerde que, en caso de manejo incorrecto, la asistencia del personal del Servicio de Asistencia Técnica no es gratuita, incluso si todavía está dentro del período de garantía.

Las señas de las delegaciones internacionales figuran en la lista adjunta de centros y delegaciones del Servicio de Asistencia Técnica Oficial.

## Solicitud de reparación y asesoramiento en caso de averías

**E** 902 245 255

Confíe en la profesionalidad de su distribuidor. De este modo se garantiza que la reparación sea realizada por personal técnico especializado y debidamente instruido que, además, dispone de los repuestos originales del fabricante para su aparato doméstico.

## Accesorio de recirculación

(no incluido de serie)



DHZ2600

---



**Robert Bosch Hausgeräte GmbH**

Carl-Wery-Straße 34

81739 München

Germany

**[www.bosch-home.com](http://www.bosch-home.com)**



9000916811

980605