

User manual



Scan Code For Warranty
Registration & Policy

Product Name: : Dishwasher Free Standing HDW-F605B
Product Applied: 535.29.660

Dishwasher Instruction Manual

PART I : Generic Version

Please read this manual carefully
before using the dishwasher and
Keep this manual for future reference.

CONTENTS

01 SAFETY INFORMATION

02 PRODUCT OVERVIEW

03 USING YOUR DISHWASHER
 Loading The Salt Into The Softener
 Basket Used Tips

04 MAINTENANCE AND CLEANING
 External Care
 Internal Care
 Caring For The Dishwasher

05 INSTALLATION INSTRUCTION
 About Power Connection
 Water Supply And Drain
 Connection Of Drain Hoses
 Position The Appliance
 Free Standing Installation

06 TROUBLESHOOTING TIPS

07 LOADING THE BASKETS ACCORDING TO EN50242
 Cutlery Rack Used Tips

 **NOTE:**

- Reviewing the section on troubleshooting Tips will help you solve some common problems by yourself.
- If you cannot solve the problems by yourself, please ask for help from a professional technician.
- The manufacturer, following a policy of constant development and updating of the product, may make modifications without giving prior notice.
- If lost or out-of-date, you can receive a new user manual from the manufacturer or responsible vendor.

SAFETY INFORMATION

⚠ WARNING

When using your dishwasher, follow the precautions listed below:

- Installation and repair can only be carried out by a qualified technician
- This appliance is intended to be used in household and similar applications such as:
 - staff kitchen areas in shops, offices and other working environments;
 - farm houses;
 - by clients in hotels, motels and other residential type environments;
 - bed and breakfast type environments.
- This appliance can be used by children aged from 8 years and above and persons with reduced physical, sensory or mental capabilities or lack of experience and knowledge if they have been given supervision or instruction concerning use of the appliance in a safe way and understand the hazards involved.
- Children shall not play with the appliance. Cleaning and user maintenance shall not be done by children without supervision. (For EN60335-1)
This appliance is not intended for use by persons (including children) with reduced physical, sensory or

mental capabilities, or lack of experience and knowledge, unless they have been given supervision or instruction concerning use of the appliance by a person responsible for their safety. (For IEC60335-1)

- Packaging material could be dangerous for children!
- This appliance is for indoor household use only.
To protect against the risk of electrical shock, do not immerse the unit, cord or plug in water or other liquid.
- Please unplug before cleaning and performing maintenance on the appliance.
- Use a soft cloth moistened with mild soap, and then use a dry cloth to wipe it again.



Earthing Instructions

- This appliance must be earthed. In the event of a malfunction or breakdown, earthing will reduce the risk of an electric shock by providing a path of least resistance of electric current. This appliance is equipped with an earthing conductor plug.
- The plug must be plugged into an appropriate outlet that is installed and earthed in accordance with all local codes and ordinances.
- Improper connection of the equipment-earthing conductor can result in the risk of an electric shock.
- Check with a qualified electrician or service representative if you are in doubt whether the appliance is properly grounded.

- Do not modify the plug provided with the appliance; If it does not fit the outlet.
- Have a proper outlet installed by a qualified electrician.
- Do not abuse, sit on, or stand on the door or dish rack of the dishwasher.
- Do not operate your dishwasher unless all enclosure panels are properly in place.
- Open the door very carefully if the dishwasher is operating, there is a risk of water squirting out.
- Do not place any heavy objects on or stand on the door when it is open. The appliance could tip forward.
- When loading items to be washed:
 - 1) Locate sharp items so that they are not likely to damage the door seal;
 - 2) Warning: Knives and other utensils with sharp points must be loaded in the basket with their points facing down or placed in a horizontal position.
- Some dishwasher detergents are strongly alkaline. They can be extremely dangerous if swallowed. Avoid contact with the skin and eyes and keep children away from the dishwasher when the door is open.
- Check that the detergent powder is empty after completion of the wash cycle.

- Do not wash plastic items unless they are marked “dishwasher safe” or the equivalent.
- For unmarked plastic items not so marked, check the manufacturer's recommendations.
- Use only detergent and rinse agents recommended for use in an automatic dishwasher.
- Never use soap, laundry detergent, or hand washing detergent in your dishwasher.
- The door should not be left open, since this could increase the risk of tripping.

If the supply cord is damaged, it must be replaced by the manufacturer or its service agent or a similarly qualified person in order to avoid a hazard.

- During installation, the power supply must not be excessively or dangerously bent or flattened.
- Do not tamper with controls.
- The appliance needs to be connected to the main water valve using new hose sets. Old sets should not be reused.
- To save energy, in stand by mode, the appliance will switch off automatically while there is no any operation in 30 minutes .
- The maximum number of place settings to be washed is 15.
- The maximum permissible inlet water pressure is 1MPa.
- The minimum permissible inlet water pressure is 0.04MPa.

Disposal

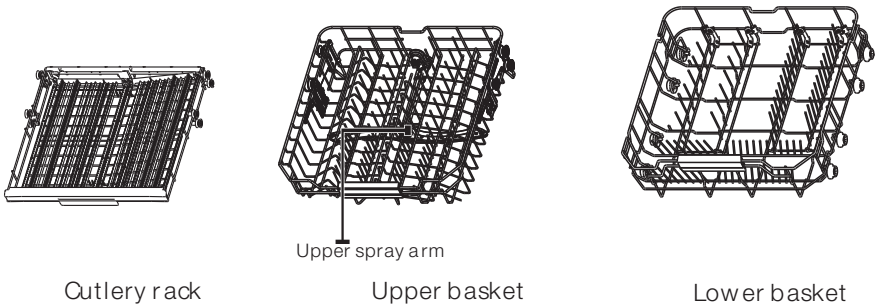
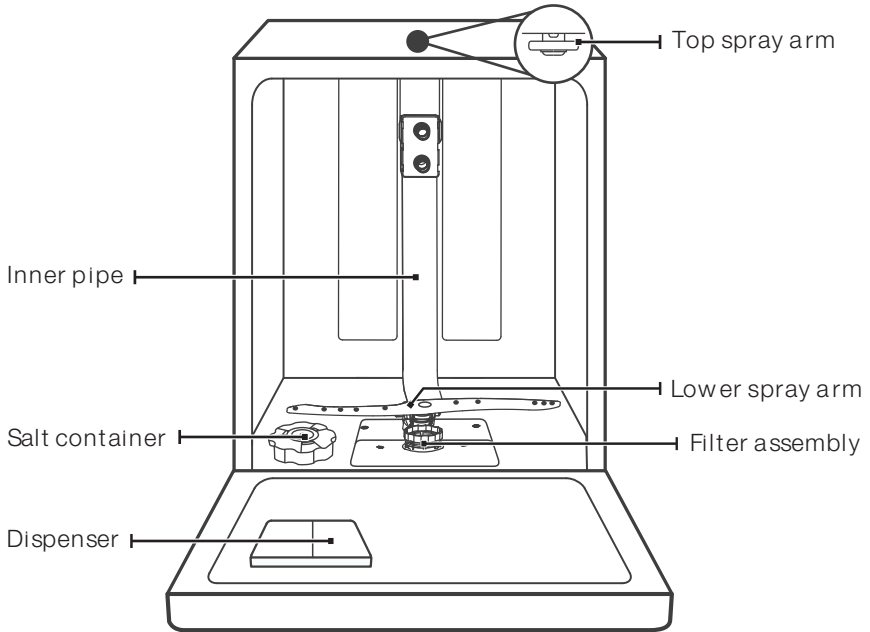
- For disposing of package and the appliance please go to a recycling center. Therefore cut off the power supply cable and make the door closing device unusable.
- Cardboard packaging is manufactured from recycled paper and should be disposed in the waste paper collection for recycling.
- By ensuring this product is disposed of correctly, you will help prevent potential negative consequences for the environment and human health, which could otherwise be caused by inappropriate waste handling of this product.
- For more detailed information about recycling of this product, please contact your local city office and your household waste disposal service.
- **DISPOSAL: Do not dispose this product as unsorted municipal waste. Collection of such waste separately for special treatment is necessary.**



PRODUCT OVERVIEW

❗ IMPORTANT:

To get the best performance from your dishwasher, read all operating instructions before using it for the first time.

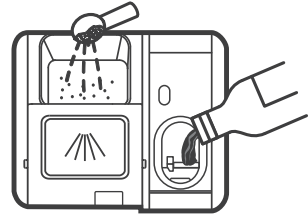
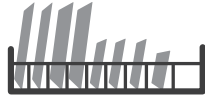


💡 NOTE:

Pictures are only for reference, different models may be different. Please prevail in kind.

USING YOUR DISHWASHER

Before using your dishwasher :



1. Set the water softener
2. Loading the salt into the softener
3. Loading the basket
4. Fill the dispenser



Please check the section 1 “Water Softener” of PART II:Special Version, if you need to set the water softener .

• Loading The Salt Into The Softener

💡 NOTE:

If your model does not have any water softener, you may skip this section.

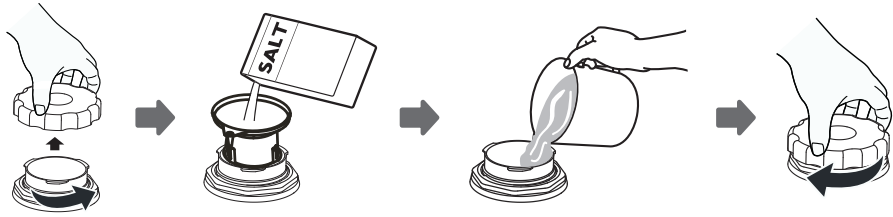
Always use salt intended for dishwasher use.

The salt container is located beneath the lower basket and should be filled as explained in the following:

⚠️ WARNING


- **Only use salt specifically designed for dishwashers use!**
Every other type of salt not specifically designed for dishwasher use, especially table salt, will damage the water softener. In case of damages caused by the use of unsuitable salt the manufacturer does not give any warranty nor is liable for any damages caused.
- **Only fill with salt before running a cycle.**
This will prevent any grains of salt or salty water, which may have been spilled, remaining on the bottom of the machine for any period of time, which may cause corrosion.

Please follow the steps below for adding dishwasher salt:



1. Remove the lower basket and unscrew the reservoir cap.
2. Place the end of the funnel (if supplied) into the hole and pour in about 1.5kg of dishwasher salt.
3. Fill the salt container to its maximum limit with water, It is normal for a small amount of water to come out of the salt container.
4. After filling the container, screw back the cap tightly.
5. The salt warning light will stop being after the salt container has been filled with salt.
6. Immediately after filling the salt into the salt container, a washing program should be started (We suggest to use a short program). Otherwise the filter system, pump or other important parts of the machine may be damaged by salty water. This is out of warranty.

💡 NOTE:

- The salt container must only be refilled when the salt warning light () in the control panel comes on. Depending on how well the salt dissolves, the salt warning light may still be on even though the salt container is filled.
If there is no salt warning light in the control panel (for some Models), you can estimate when to fill the salt into the softener by the cycles that the dishwasher has run.
- If salt has spilled, run a soak or quick program to remove it.

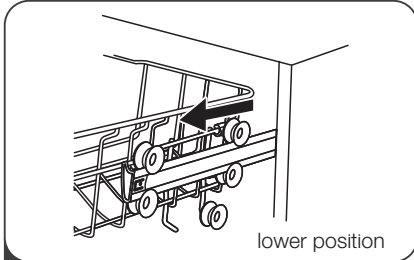
Basket Used Tips

Adjusting the upper basket

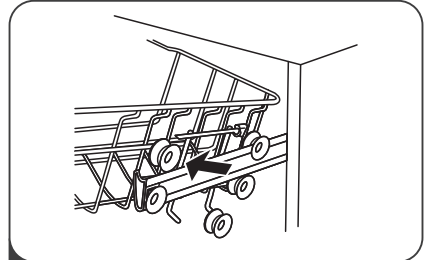
Type 1:

The height of the upper basket can be easily adjusted to accommodate taller dishes in either the upper or lower basket.

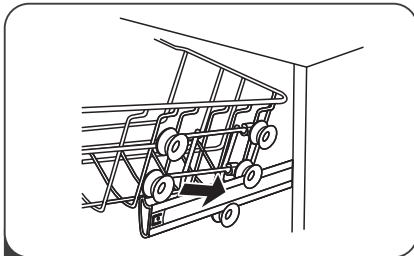
To adjust the height of the upper rack, follow these steps:



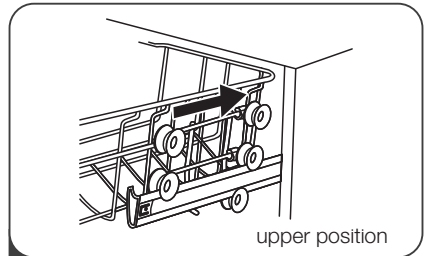
1 Pull out the upper basket.



2 Remove the upper basket.

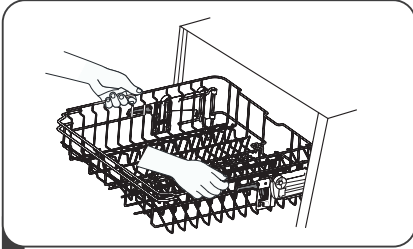


3 Re-attach the upper basket to upper or lower rollers.

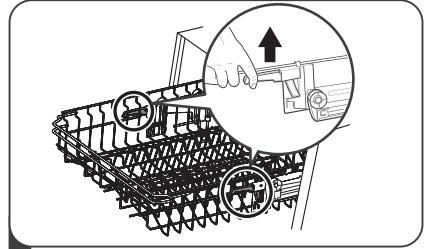


4 Push in the upper basket.

Type 2:



1 To raise the upper basket, just lift the upper basket at the center of each side until the basket locks into place in the upper position. It is not necessary to lift the adjuster handle.



2 To lower the upper basket, lift the adjust handles on each side to release the basket and lower it to the lower position.

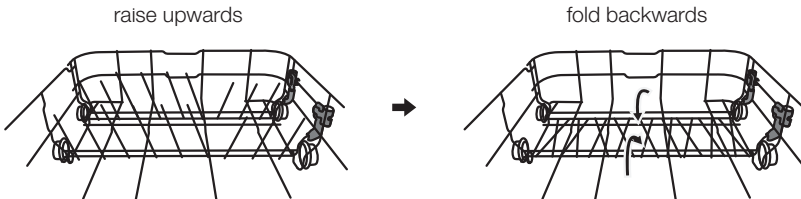
Folding back the cup shelves

To make room for taller items in the upper basket, raise the cup rack upwards. You can then lean the tall glasses against it. You can also remove it when it is not required for use.



Folding back the rack shelves

The spikes of the lower basket are used for holding plates and a platter. They can be lowered to make more room for large items.



MAINTENANCE AND CLEANING

External Care

The door and the door seal

Clean the door seals regularly with a soft damp cloth to remove food deposits. When the dishwasher is being loaded, food and drink residues may drip onto the sides of the dishwasher door. These surfaces are outside the wash cabinet and are not accessed by water from the spray arms. Any deposits should be wiped off before the door is closed.

The control panel

If cleaning is required, the control panel should be wiped with a soft damp cloth only.

WARNING

- To avoid penetration of water into the door lock and electrical components, do not use a spray cleaner of any kind.
- Never use abrasive cleaners or scouring pads on the outer surfaces because they may scratch the finish. Some paper towels may also scratch or leave marks on the surface.

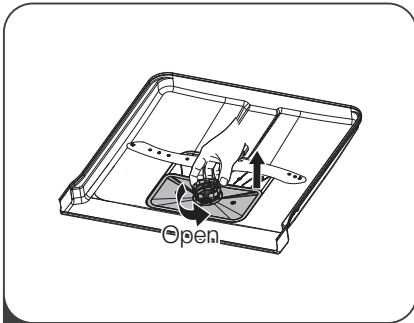
Internal Care

Filtering system

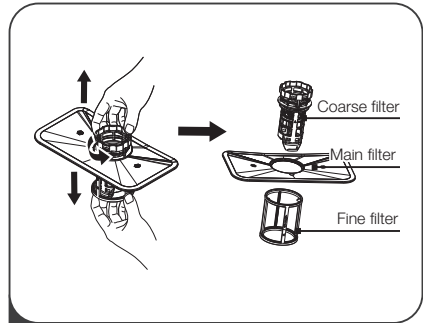
The filtering system in the base of the wash cabinet retains coarse debris from the washing cycle. The collected coarse debris may cause the filters to clog. Check the condition of the filters regularly and clean them if necessary under running water. Follow the steps below to clean the filters in the wash cabinet.

NOTE:

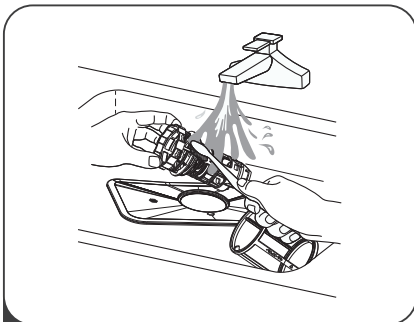
Pictures are only for reference, different models of the filtering system and spray arms may be different.



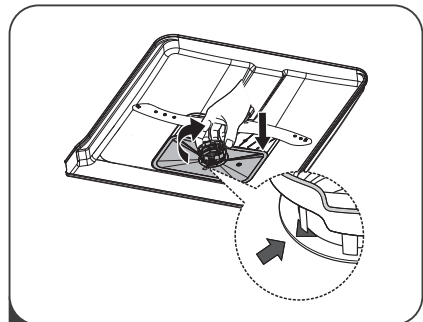
1 Hold the coarse filter and rotate it anticlockwise to unlock the filter. Lift the filter upwards and out of the dishwasher.



2 The fine filter can be pulled off the bottom of the filter assembly. The coarse filter can be detached from the main filter by gently squeezing the tabs at the top and pulling it away.



3 Larger food remnants can be cleaned by rinsing the filter under running water. For a more thorough clean, use a soft cleaning brush.



4 Reassemble the filters in the reverse order of the disassembly, replace the filter insert, and rotate clockwise to the close arrow.

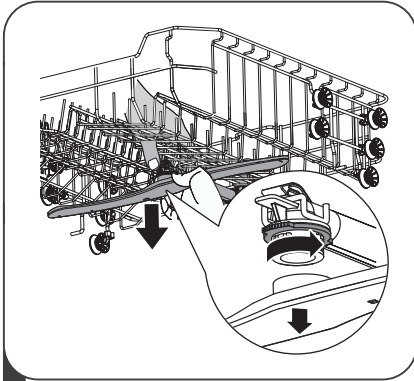
⚠ WARNING

- Do not over tighten the filters. Put the filters back in sequence securely, otherwise coarse debris could get into the system and cause a blockage.
- Never use the dishwasher without filters in place. Improper replacement of the filter may reduce the performance level of the appliance and damage dishes and utensils.

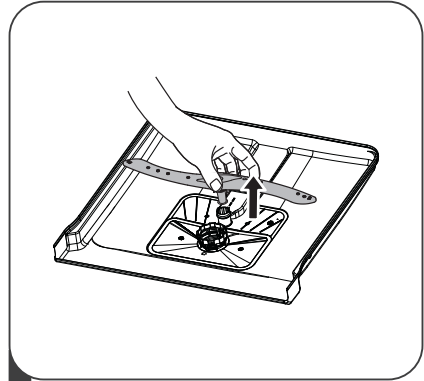
Spray arms

It is necessary to clean the spray arms regularly for hard water chemicals will clog the spray arm jets and bearings.

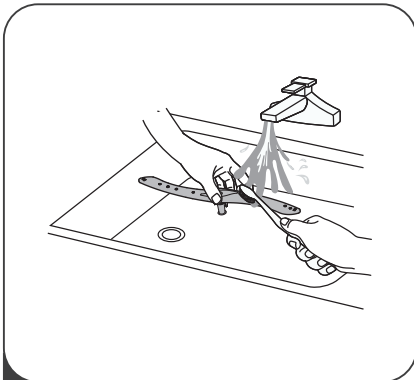
To clean the spray arms, follow the instructions below:



- 1 To remove the upper spray arm, hold the nut in the center still and rotate the spray arm counterclockwise to remove it.



- 2 To remove the lower spray arm, pull out the spray arm upward.



- 3 Wash the arms in soapy and warm water and use a soft brush to clean the jets. Replace them after rinsing them thoroughly.

Caring For The Dishwasher

Frost precaution

Please take frost protection measures on the dishwasher in winter. Every time after washing cycles, please operate as follows:

1. Cut off the electrical power to the dishwasher at the supply source.
2. Turn off the water supply and disconnect the water inlet pipe from the water valve.
3. Drain the water from the inlet pipe and water valve. (Use a pan to gather the water)
4. Reconnect the water inlet pipe to the water valve.
5. Remove the filter at the bottom of the tub and use a sponge to soak up water in the sump.

After every wash

After every wash, turn off the water supply to the appliance and leave the door slightly open so that moisture and odors are not trapped inside.

Remove the plug

Before cleaning or performing maintenance, always remove the plug from the socket.

No solvents or abrasive cleaning

To clean the exterior and rubber parts of the dishwasher, do not use solvents or abrasive cleaning products. Only use a cloth with warm soapy water.

To remove spots or stains from the surface of the interior, use a cloth dampened with water and a little vinegar, or a cleaning product made specifically for dishwashers.

When not in use for a longtime

It is recommended that you run a wash cycle with the dishwasher empty and then remove the plug from the socket, turn off the water supply and leave the door of the appliance slightly open. This will help the door seals to last longer and prevent odors from forming within the appliance.

Moving the appliance

If the appliance must be moved, try to keep it in the vertical position. If absolutely necessary, it can be positioned on its back.

Seals

One of the factors that cause odours to form in the dishwasher is food that remains trapped in the seals. Periodic cleaning with a damp sponge will prevent this from occurring.

INSTALLATION INSTRUCTION

⚠ WARNING



Electrical Shock Hazard
Disconnect electrical power before installing dishwasher.
Failure to do so could result in death or electrical shock.

⚠ Attention

The installation of the pipes and electrical equipments should be done by professionals.

About Power Connection

⚠ WARNING

For personal safety:

- Do not use an extension cord or an adapter plug with this appliance.
- Do not, under any circumstances, cut or remove the earthing connection from the power cord.

Electrical requirements

Please look at the rating label to know the rating voltage and connect the dishwasher to the appropriate power supply. Use the required fuse 10A/13A/16A, time delay fuse or circuit breaker recommended and provide separate circuit serving only this appliance.

Electrical connection

Ensure the voltage and frequency of the power being correspond to those on the rating plate. Only insert the plug into an electrical socket which is earthed properly. If the electrical socket to which the appliance must be connected is not appropriate for the plug, replace the socket, rather than using an adaptors or the like as they could cause overheating and burns.

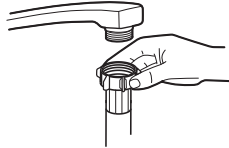
⚠ Ensure that proper earthing exists before use

Water Supply And Drain

Cold water connection

Connect the cold water supply hose to a threaded 3/4(inch) connector and make sure that it is fastened tightly in place.

If the water pipes are new or have not been used for an extended period of time, let the water run to make sure that the water is clear. This precaution is needed to avoid the risk of the water inlet to be blocked and damage the appliance.



ordinary supply hose



safety supply hose

About the safety supply hose

The safety supply hose consists of the double walls. The hose's system guarantees its intervention by blocking the flow of water in case of the supply hose breaking and when the air space between the supply hose itself and the outer corrugated hose is full of water.

⚠ WARNING

A hose that attaches to a sink spray can burst if it is installed on the same water line as the dishwasher. If your sink has one, it is recommended that the hose be disconnected and the hole plugged.

How to connect the safety supply hose

1. Pull The safety supply hoses completely out from storage compartment located at rear of dishwasher.
2. Tighter the screws of the safety supply hose to the faucet with thread 3/4inch.
3. Turn water fully on before starting the dishwasher.

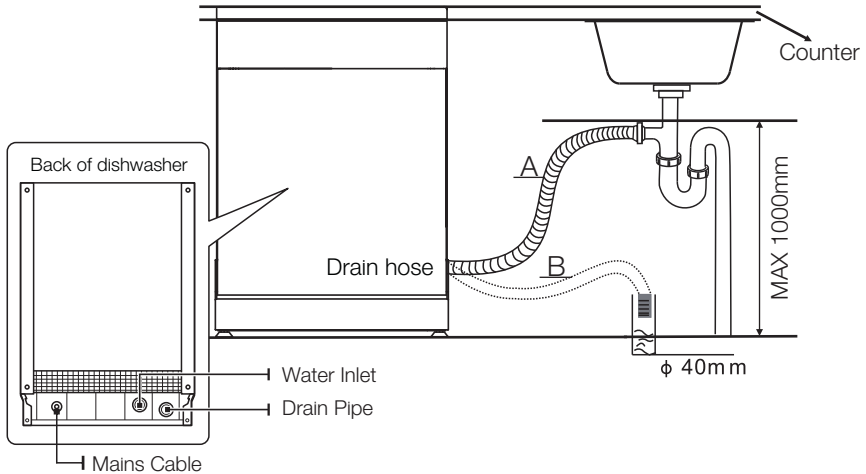
How to disconnect the safety supply hose

1. Turn off the water.
2. Unscrew the safety supply hose from the faucet.

Connection Of Drain Hoses

Insert the drain hose into a drain pipe with a minimum diameter of 4 cm, or let it run into the sink, making sure to avoid bending or crimping it. The height of drain pipe must be less than 1000mm. The free end of the hose must not be immersed in water to avoid the back flow of it.

⚠ Please securely fix the drain hose in either position A or position B



How to drain excess water from hoses

If the sink is 1000mm higher from the floor, the excess water in hoses cannot be drained directly into the sink. It will be necessary to drain excess water from hoses into a bowl or suitable container that is held outside and lower than the sink.

Water outlet

Connect the water drain hose. The drain hose must be correctly fitted to avoid water leaks. Ensure that the water drain hose is not kinked or squashed.

Extension hose

If you need a drain hose extension, make sure to use a similar drain hose. It must be no longer than 4 meters; otherwise the cleaning effect of the dishwasher could be reduced.

Syphon connection

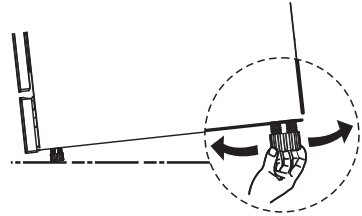
The waste connection must be at a height less than 100 cm (maximum) from the bottom of the dish. The water drain hose should be fixed .

Position The Appliance

Position the appliance in the desired location. The back should rest against the wall behind it, and the sides, along the adjacent cabinets or walls. The dishwasher is equipped with water supply and drain hoses that can be positioned either to the right or the left sides to facilitate proper installation.

Levelling the appliance

Once the appliance is positioned for levelling, the height of the dishwasher may be altered via adjustment of the screwing level of the feet. In any case, the appliance should not be inclined more than 2° .



💡 NOTE:

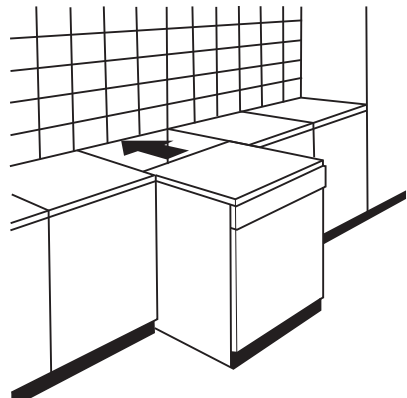
Only apply to the free standing dishwasher.

Free Standing Installation

Step 1. Fitting between existing carbinets

The height of the dishwasher, 845 mm, has been designed in order to allow the machine to be fitted between existing cabinets of the same height in modern fitted kitchens. The feet can be adjusted so that correct height is reached.

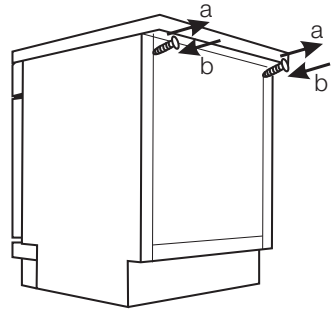
The laminated top of the machine does not require any particular care since it is heatproof, scratchproof and stainproof.



Step 2. Underneath existing work top

(When fitting beneath a work top)

In most modern fitted kitchens there is only one single work top under which cabinets and electrical appliances are fitted. In this case remove the work top of the dishwasher by unscrewing the screws under the rear edge of the top (a).



⚠ Attention

After removing the work top, the screws must be screwed again under the rear edge of the top (b).

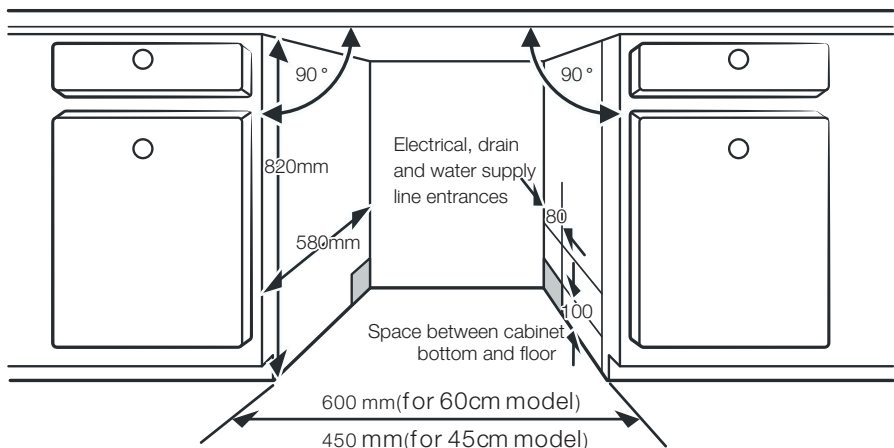
The height will then be reduced to 815 mm, as scheduled by the International Regulations (ISO) and the dishwasher will fit perfectly under the kitchen working top

Selecting the best location for the dishwasher

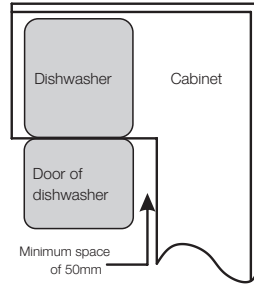
The installation position of dishwasher should be near the existing inlet and drain hoses and power cord.

Illustrations of cabinet dimensions and installation position of the dishwasher.

1. Less than 5 mm between the top of dishwasher and cabinet and the outer door aligned to cabinet.



2. If dishwasher is installed at the corner of the cabinet, there should be some space when the door is opened.



NOTE:

Depending on where your electrical outlet is, you may need to cut a hole in the opposite cabinet side.

TROUBLESHOOTING TIPS

Before Calling For Service

Reviewing the charts on the following pages may save you from calling for service.

Problem	Possible Causes	What To Do
Dishwasher doesn't start	Fuse blown, or the circuit break tripped.	Replace fuse or reset circuit breaker. Remove any other appliances sharing the same circuit with the dishwasher.
	Power supply is not turned on.	Make sure the dishwasher is turned on and the door is closed securely. Make sure the power cord is properly plugged into the wall socket.
	Water pressure is low	Check that the water supply is connected properly and the water is turned on.
	Door of dishwasher not properly closed.	Make sure to close the door properly and latch it.
Water not pumped from dishwasher	Twisted or trapped drain hose.	Check the drain hose.
	Filter clogged.	Check coarse the filter.
	Kitchen sink clogged.	Check the kitchen sink to make sure it is draining well. If the problem is the kitchen sink that is not draining , you may need a plumber rather than a serviceman for dishwashers.
Suds in the tub	Wrong detergent.	Use only the special dishwasher detergent to avoid suds. If this occurs, open the dishwasher and let suds evaporate. Add 1 gallon of cold water to the bottom of the dishwasher. Close the dishwasher door, then select any cycle. Initially, the dishwasher will drain out the water. Open the door after draining stage is complete and check if the suds have disappeared. Repeat if necessary.

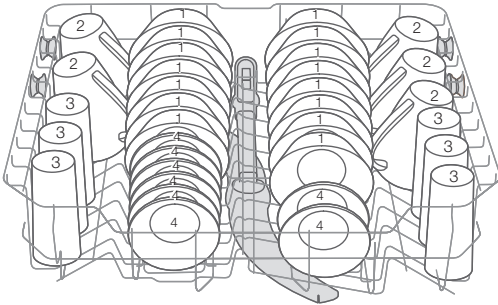
Problem	Possible Causes	What To Do
	Spilled rinse-aid.	Always wipe up rinse-aid spills immediately.
Stained tub interior	Detergent with colourant may have been used.	Make sure that the detergent has no colourant.
White film on inside surface	Hard water minerals.	To clean the interior, use a damp sponge with dishwasher detergent and wear rubber gloves. Never use any other cleaner than dishwasher detergent otherwise, it may cause foaming or suds.
There are rust stains on cutlery	The affected items are not corrosion resistant.	Avoid washing items that are not corrosion resistant in the dishwasher.
	A program was not run after dishwasher salt was added. Traces of salt have gotten into the wash cycle.	Always run a wash program without any crockery after adding salt. Do not select the Turbo function (if present), after adding dishwasher salt.
	The lid of the softer is loose.	Check the softener lid is secure.
Knocking noise in the dishwasher	A spray arm is knocking against an item in a basket	Interrupt the program and rearrange the items which are obstructing the spray arm.
Rattling noise in the dishwasher	Items of crockery are loose in the dishwasher.	Interrupt the program and rearrange the items of crockery.
Knocking noise in the water pipes	This may be caused by on-site installation or the cross-section of the piping.	This has no influence on the dishwasher function. If in doubt, contact a qualified plumber.
The dishes are not clean	The dishes were not loaded correctly.	See PART "Preparing And Loading Dishes".
	The program was not powerful enough.	Select a more intensive program.

Problem	Possible Causes	What To Do
The dishes are not clean.	Not enough detergent was dispensed.	Use more detergent, or change your detergent.
	Items are blocking the movement of the spray arms.	Rearrange the items so that the spray can rotate freely.
	The filter combination is not clean or is not correctly fitted in the base of wash cabinet. This may cause the spray arm jets to get blocked.	Clean and/or fit the filter correctly. Clean the spray arm jets.
Cloudiness on glassware.	Combination of soft water and too much detergent.	Use less detergent if you have soft water and select a shorter cycle to wash the glassware and to get them clean.
White spots appear on dishes and glasses.	Hard water area can cause limescale deposits.	Add more detergent.
Black or grey marks on dishes	Aluminium utensils have rubbed against dishes	Use a mild abrasive cleaner to eliminate those marks.
Detergent left in dispenser	Dishes block detergent dispenser	Re-loading the dishes properly.
The dishes aren't drying	Improper loading	Load the dishwasher as suggested in the directions.
	Dishes are removed too soon	Do not empty your dishwasher immediately after washing. Open the door slightly so that the steam can come out. Take out the dishes until the inside temperature is safe to touch. Unload the lower basket first to prevent the dropping water from the upper basket.

Problem	Possible Causes	What To Do
<p>The dishes aren't drying</p>	<p>Wrong program has been selected.</p>	<p>With a short program, the washing temperature is lower, decreasing cleaning performance. Choose a program with a long washing time.</p>
	<p>Use of cutlery with a low-quality coating.</p>	<p>Water drainage is more difficult with these items. Cutlery or dishes of this type are not suitable for washing in the dishwasher.</p>

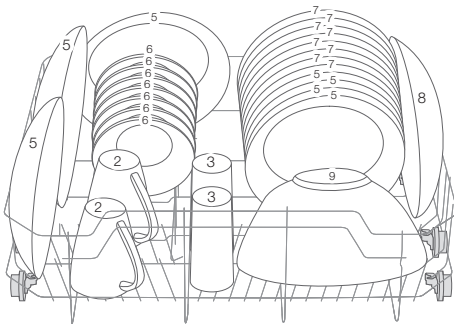
LOADING THE BASKETS ACCORDING TO EN50242:

1.Upper basket:



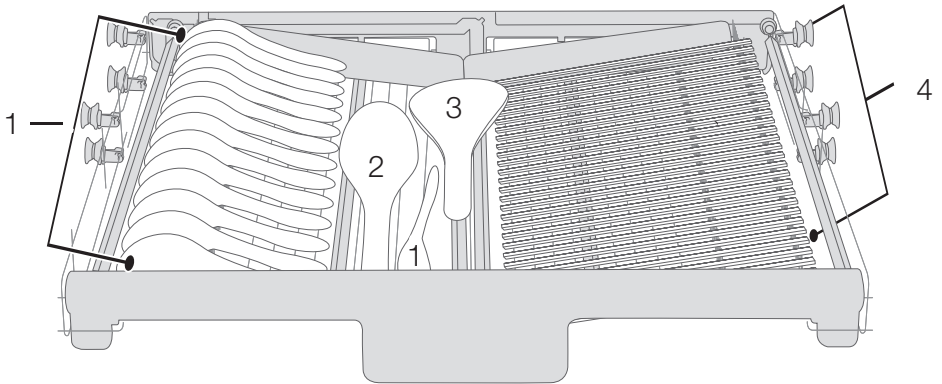
Number	Item
1	Rice bowl
2	Mugs
3	Glasses
4	Relish dish

2.Lower basket:



Number	Item
5	Deep dishes
6	Noodles bowls
7	Tray dishes
8	Fish platter
9	Soup bowl

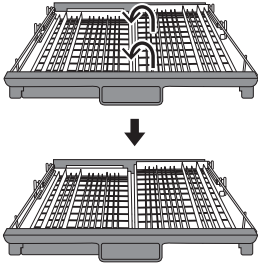
3.Cutlery rack:



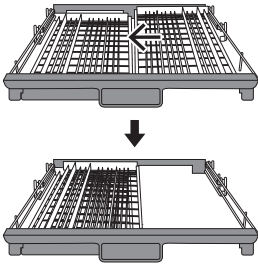
Number	Item
1	Small Soup spoons
2	Soup spoon
3	Rice spoon
4	Chopsticks

Information for comparability tests in accordance with EN 50242
 Capacity: 15 place settings
 Position of the upper basket: lower position
 Program: ECO
 Rinse aid setting: 6
 Softener setting: H3

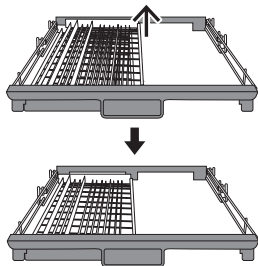
Cutlery Rack Used Tips



Lift the right basket up, both left and right baskets are flat.



Move the right basket from right to left, two basket are overlapping.



Remove the right basket from the tray, only has the left basket.

Dishwasher Instruction Manual

PART II: Special Version

Please read this manual carefully
before using the dishwasher and
Keep this manual for future reference.

CONTENTS

01	USING YOUR DISHWASHER
	Control Panel
	Water Softener
	Preparing And Loading Dishes
	Function Of The Rinse Aid And Detergent
	Filling The Rinse Aid Reservoir
	Filling The Detergent Dispenser

PROGRAM SELECTION

02	Wash Cycle Table
	Saving Energy
	Starting A Program
	Changing The Program Mid-cycle
	Forget To Add A Dish?

03	ERROR CODES
----	--------------------

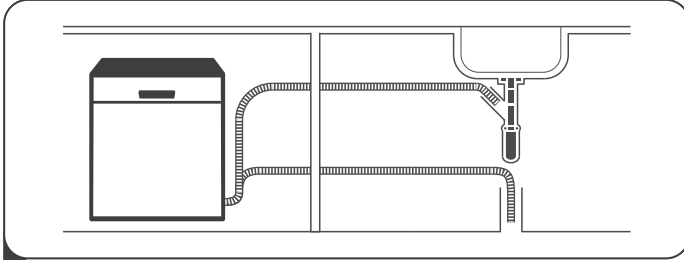
04	TECHNICAL INFORMATION
----	------------------------------

NOTE:

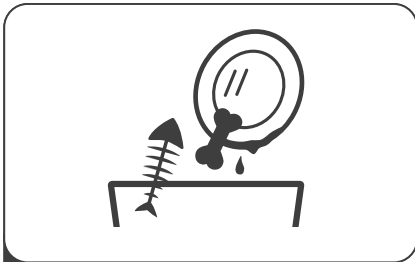
- If you cannot solve the problems by yourself, please ask for help from a professional technician.
- The manufacturer, following a policy of constant development and updating of the product, may make modifications without giving prior notice.
- If lost or out-of-date, you can receive a new user manual from the manufacturer or responsible vendor.

QUICK USER GUIDE

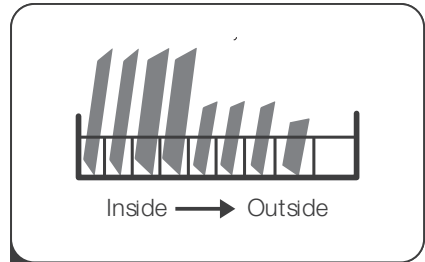
Please read the corresponding content in the instruction manual for detailed operating method.



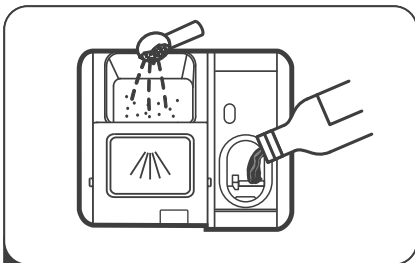
- 1 Install the dishwasher
(Please check the section 5 “INSTALLATION INSTRUCTION” of PART I : Generic Version.)



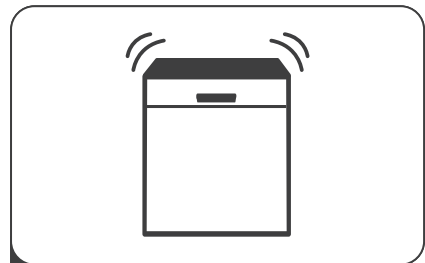
- 2 Remove larger residue from dishes.
Avoid pre-rinsing.



- 3 Load the baskets.



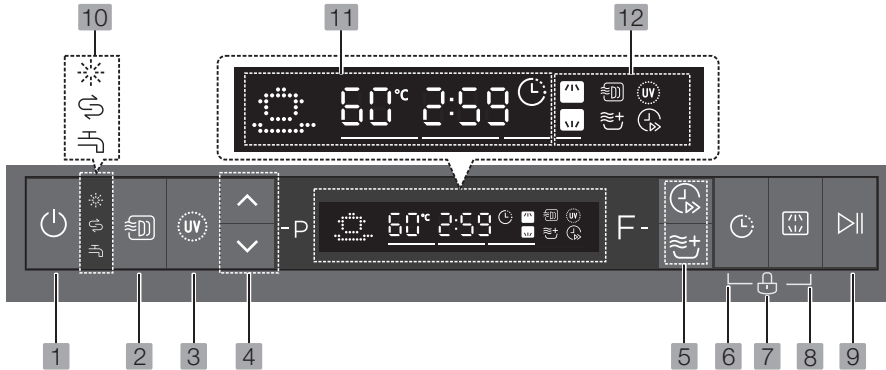
- 4 Fill the dispenser with detergent and rinse aid.



- 5 Select a suitable program and start the dishwasher.

USING YOUR DISHWASHER



Control Panel













Operation (Button)

<p>1 Power</p>	<p>Press this button to turn on your dishwasher, the screen lights up.</p>
<p>2 Fresh & Dry</p>	<p>Under the action of the turbine fan, the storage function can achieve better drying effect and keep the air in the dishwasher fresh. The Storage function is carried out after the dishwasher has finished washing, and it can run for up to 72 hours. You cannot use the Dry Storage function when Rapid or Soak, Self cleaning wash is selected.</p>
<p>3 UV</p>	<p>UV sterilization. (It can only be used with Hygiene, ECO, Glass, 90 min, Self-Cleaning).</p>
<p>4 Program</p>	<p>^ program forward. v program backward.</p>
<p>5 Function</p>	<p>Press the button to select a function, corresponding indicator will be lit.</p>
<p>6 Delay</p>	<p>Press this button to set the delayed hours for washing. You can delay the start of washing up to 24 hours. One press on this button delays the start of washing by one hour.</p>

Operation (Button)

7 Child lock	This option allows you to lock the buttons on the control panel so children cannot accidentally start the dishwasher by pressing the buttons on the panel. To lock or unlock the buttons on the control panel, press and hold the Delay button + Alt button for 3 seconds simultaneously.
8 Alt	Press the button to select either upper basket or lower basket loaded, and the response indicators ( ) will be lit.
9 Start / Pause	To start the selected washing program or pause it when the dishwasher is working.

Display

10 Warning indicator	<p> Rinse Aid If the “  ” indicator is lit, it means the dishwasher is low of dishwasher rinse aid and needs to be refilled.</p> <p> Salt If the “  ” indicator is lit, it means the dishwasher is low of dishwasher salt and needs to be refilled.</p> <p> Water Faucet If the “  ” indicator is lit, it means the water faucet closed.</p>
11 Screen	<p>To show which program has been chosen, the real-time temperature and the remaining time etc. Program:</p> <p> Auto Auto sensing wash, lightly, normally or heavily soiled crockery, with or with out dried-on food.</p> <p> Hygiene Use to sanitize your dishes and glassware. The highest water temperature is 72°C.</p> <p> ECO This is standard program, it is suitable to clean normally soiled tableware and it is the most efficient program in terms of its combined energy and water consumption for that type of tableware.</p> <p> Glass For lightly soiled crockery and glass.</p>

Display

11 Screen

Program:



90 min

For normally soiled loads that need quick wash.



Rapid

A shorter wash for lightly soiled loads that do not need drying.



Soak

To rinse dishes that you plan to wash later that day.



Self-Cleaning

This program provides an effective cleaning of the dishwasher itself.

12 Function indicator



Upper

When you select Upper, only the upper rack nozzle is activated. The lower nozzle will not operate.



Lower

When you select Lower, only the lower rack nozzle is activated. The upper nozzle will not operate.



Fresh & Dry

To keep the air in the dishwasher fresh.



UV

Use to sanitize your dishes and glassware. When the icon lights up, the UV light is working.



Turbo speed+

Reduce the program time. (It can only be used with Hygiene, ECO, Glass, 90 min)

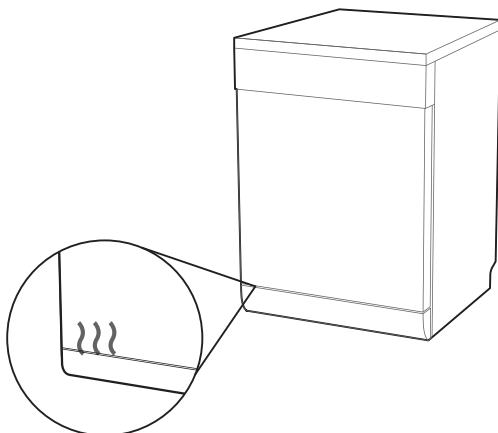


Extra drying

To dry dishes more completely. (Hygiene, ECO, Glass, 90 min.)

**NOTE:**

the original hot air drying and storage technology can quickly dry tableware. during operation, there may be water droplets or steam at the air outlet. This is a normal phenomenon, Please rest assured.



Water Softener

The water softener must be set manually, using the water hardness dial.

The water softener is designed to remove minerals and salts from the water, which would have a detrimental or adverse effect on the operation of the appliance.

The more minerals there are, the harder your water is.

The softener should be adjusted according to the hardness of the water in your area. Your local Water Authority can advise you on the hardness of the water in your area.

Adjusting salt consumption

The dishwasher is designed to allow for adjustment in the amount of salt consumed based on the hardness of the water used. This is intended to optimise and customise the level of salt consumption.

Please follow the steps below for adjustment in salt consumption.

1. Close the door, switch on the appliance;
2. Within 60 seconds after the appliance was switched on press the program button for more than 5 seconds to enter the water softener setting mode.
3. Press the program button again to select the proper set according to your local environment, the setting will change in the following sequence:
H3->H4->H5->H6->H1->H2->H3;
4. Press the Power button to end the setting mode.

WATER HARDNESS				Water softner level	Regeneration occurs every X program sequence ¹⁾	Salt consumption (gram/cycle)
German °dH	French °fH	British °Clarke	Mmol/l			
0 - 5	0 - 9	0 - 6	0 - 0.94	H1	No regeneration	0
6 - 11	10 - 20	7 - 14	1.0 - 2.0	H2	10	9
12 - 17	21 - 30	15 - 21	2.1 - 3.0	H3	5	12
18 - 22	31 - 40	22 - 28	3.1 - 4.0	H4	3	20
23 - 34	41 - 60	29 - 42	4.1 - 6.0	H5	2	30
35 - 55	61 - 98	43 - 69	6.1 - 9.8	H6	1	60

1°dH=1.25 °Clarke=1.78 °fH=0.178mmol/l

The factory setting: H3

- 1) Every cycle with a regeneration operation consumes additional 2.0 litres of water, the energy consumption increases by 0.02 kWh and the program extents by 4 minutes.



Please check the section 3 “Loading The Salt Into The Softener” of PART I: Generic Version, If your dishwasher lacks salt.

NOTE:

If your model does not have any water softener, you may skip this section.
Water Softener

The hardness of the water varies from place to place. If hard water is used in the dishwasher, deposits will form on the dishes and utensils.

The appliance is equipped with a special softener that uses a salt container specifically designed to eliminate lime and minerals from the water.

Preparing And Loading Dishes

- Consider buying utensils which are identified as dishwasher-proof.
- For particular items, select a program with the lowest possible temperature.
- To prevent damage, do not take glass and cutlery out of the dishwasher immediately after the program has ended.

For washing the following cutlery/dishes

Are not suitable

- Cutlery with wooden, horn china or mother-of-pearl handles
- Plastic items that are not heat resistant
- Older cutlery with glued parts that are not temperature resistant
- Bonded cutlery items or dishes
- Pewter or cooper items
- Crystal glass
- Steel items subject to rusting
- Wooden platters
- Items made from synthetic fibres

Are of limited suitability

- Some types of glasses can become dull after a large number of washes
- Silver and aluminum parts have a tendency to discolour during washing
- Glazed patterns may fade if machine washed frequently

Recommendations for loading the dishwasher

Scrape off any large amounts of leftover food. Soften remnants of burnt food in pans. It is not necessary to rinse the dishes under running water.

For best performance of the dishwasher, follow these loading guidelines.

(Features and appearance of baskets and cutlery baskets may vary from your model.)

Place objects in the dishwasher in the following way:

- Items such as cups, glasses, pots, pans, etc. **must** face downwards.
- Curved items, or ones with recesses, should be loaded aslant so that water can run off.
- All utensils are stacked securely and can not tip over.
- All utensils are placed in the way that the spray arms can rotate freely during washing.
- Load hollow items such as cups, glasses, pans etc. With the opening facing downwards so that water cannot collect in the container or a deep base.
- Dishes and items of cutlery must not lie inside one another, or cover each other.
- To avoid damage, glasses should not touch one another.
- The upper basket is designed to hold more delicate and lighter dishware such as glasses, coffee and tea cups.
- Long bladed knives stored in an upright position are a potential hazard!
- Long and sharp items of cutlery such as carving knives must be positioned horizontally in the upper basket.
- Please do not overload your dishwasher. This is important for good results and for reasonable consumption of energy.

NOTE:

Very small items should not be washed in the dishwasher as they could easily fall out of the basket.

Removing the dishes

To prevent water dripping from the upper basket into the lower basket, we recommend that you empty the lower basket first, followed by the upper basket.

WARNING



Items will be hot! To prevent damage, do not take glass and cutlery out of the dishwasher for around 15 minutes after the program has ended.

Loading the upper basket

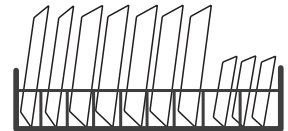
The upper basket is designed to hold more delicate and lighter dishware such as glasses, coffee and tea cups and saucers, as well as plates, small bowls and shallow pans (as long as they are not too dirty). Position the dishes and cookware so that they will not get moved by the spray of water.



Loading the lower basket

We suggest that you place large and difficult to clean items into the lower basket: such as pots, pans, lids, serving dishes and bowls, as shown in the figure below. It is preferable to place serving dishes and lids on the side of the racks in order to avoid blocking the rotation of the top spray arm.

The maximum diameter advised for plates in front of the detergent dispenser is of 19 cm, this not to hamper the opening of it.



Loading the cutlery basket

Cutlery should be placed in the cutlery basket separate from each other in the appropriate positions. Avoid nesting of the cutlery to prevent insufficient cleaning performance.

⚠ WARNING



Do not let any item extend through the bottom.
Always load sharp utensils with the sharp point down!



For the best washing effect, please load the baskets refer to standard loading options on last section of PAR I : Generic Version

Function of The Rinse Aid And Detergent


The rinse aid is released during the final rinse to prevent water from forming droplets on your dishes, which can leave spots and streaks. It also improves drying by allowing water to **run** off the dishes. Your dishwasher is designed to use liquid rinse aids.

WARNING

Only use branded rinse aid for dishwasher. Never fill the rinse aid dispenser with any other substances (e.g. Dishwasher cleaning agent, liquid detergent). This would damage the appliance.

When to refill the rinse aid

The regularity of the dispenser needing to be refilled depends on how often dishes are washed and the rinse aid setting used.

- The Low Rinse Aid indicator () will be lit when more rinse aid is needed.
- Do not overfill the rinse aid dispenser.

Function of detergent

The chemical ingredients that compose the detergent are necessary to remove, crush and dispense all dirt out of the dishwasher. Most of the commercial quality detergents are suitable for this purpose.

WARNING

- **Proper Use of Detergent**

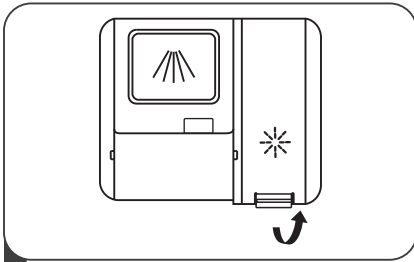
Use only detergent specifically made for dishwashers use. Keep your detergent fresh and dry.

Do not fill detergent into the dispenser until you are ready to start the dishwasher.

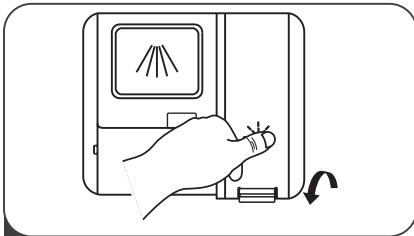


Dishwasher detergent is corrosive! Keep dishwasher detergent out of the reach of children.

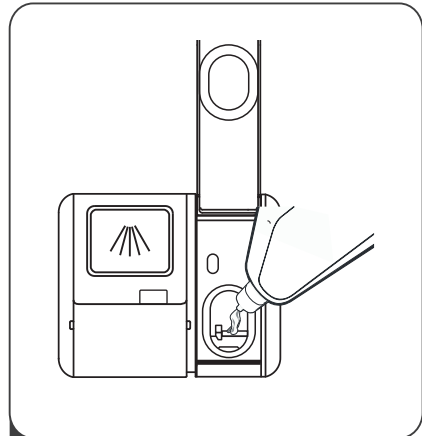
Filling The Rinse Aid Reservoir



- 1 Remove the rinse reservoir cap by lifting up the handle .



- 3 Close the cap after all.



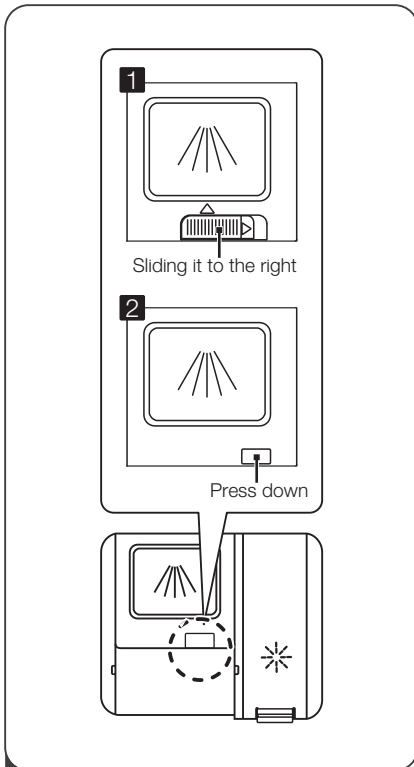
- 2 Pour the rinse aid into the dispenser, being careful not to overfill.

Adjusting the rinse aid reservoir

To achieve a better drying performance with limited rinse aid, the dishwasher is designed to adjust the consumption by user. Follow the below steps.

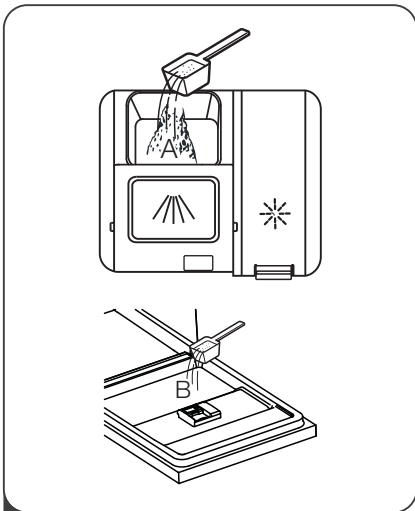
1. Close the door, **switch** on the appliance.
2. **Within 60 seconds after the appliance was switched on press the ✓ Program button for more than 5 seconds**, and then press the Delay button to enter the set model, the rinse aid indication blinks as 1Hz frequency.
3. Press the ✓ Program button **again** to select the proper set according to your using habits, the **setting** will change in the following sequence: d3->d4->d5->d1->d2->d3. The higher the number, the more rinse aid the dishwasher uses.
4. Without operation in 5 seconds or press the Power button to complete the setup and exit the **setting mode**.
5. The **factory** setting: d3.

Filling The Detergent Dispenser



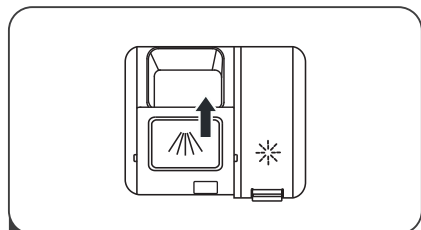
1 Please choose an open way according to the actual situation.

1. Open the cap by sliding the release catch.
2. Open the cap by pressing down the release latch.



2 Add detergent into the larger cavity (A) for main wash.

For better cleaning result, especially if you have very dirt items, pour a small amount of detergent onto the door. The additional detergent will activate during the pre-wash phase.



3 Close the flap by sliding it to the front and then pressing it down.

NOTE:








Please observe the manufacturer's recommendations on the detergent packaging.


PROGRAM SELECTION

Wash Cycle Table

The table below shows which programs are best for the levels of food residue on them and how much detergent is needed. It also show various information about the programs. Consumption values and program duration are only indicative except for ECO program.

(●) indicates that the program uses rinse aid in the last rinse.

Program	Description Of Cycle	Detergent Pre/Main Wash	Running Time(min)	Energy (kWh)	Water (L)	Rinse Aid
 Auto	Pre-wash(45°C) Autowash(45~55°C) Rinse(55°C) Rinse(70°C) Drying	5/28,8g 1 or 2 tabs	138-193	1.150-1.450	11-14.8	●
 Hygiene	Wash(72°C) Rinse Rinse Rinse(72°C) Drying	30g 1 or 2 tabs	205	1.650	13.7	●
 (*EN50242)	Wash(53°C) Rinse Rinse(55°C) Drying	5/28,8g 1 or 2 tabs	200	0.998	9.8	●
 Glass	Pre-wash Wash(50°C) Rinse(50°C) Rinse(53°C) Drying	5/28,8g 1 or 2 tabs	140	0.900	13.5	●
 90 Min	Wash(60°C) Rinse Rinse(52°C) Drying	30g 1 or 2 tabs	90	0.890	10.9	●
 Rapid	Wash(40°C) Rinse(40°C) Rinse(55°C)	20g	30	0.750	11.2	○
 Soak	Pre-wash	/	15	0.015	4.1	○

Program	Description Of Cycle	Detergent Pre/Main	Running Time(min)	Energy (kWh)	Water (L)	Rinse Aid
 Self cleaning	Pre-wash Wash(60°C) Rinse Rinse(70°C) Drying	30g 1 or 2 tabs	170	1.400	15.1	●

NOTE:

ECO : This program is the test cycle. The information for comparability test in accordance with EN50242.

Saving Energy

1. Pre-rinsing of tableware items leads to increased water and energy consumption and is not recommended.
2. Washing tableware in a household dishwasher usually consumes less energy and water in the use phase than hand dishwashing when the household dishwasher is used according to the instructions.

Starting A program

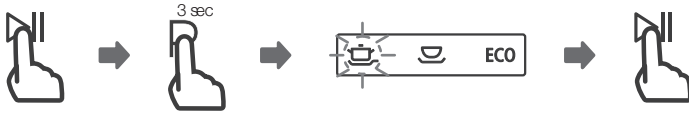
1. Draw out the lower and upper basket, load the dishes and push them back. It is commended to load the lower basket first, then the upper one.
2. Pour in the detergent.
3. Insert the plug into the socket. The power supply refer to last page"Product fiche". Make sure that the water supply is turned on to full pressure.
4. Close the door, press the Power button.
5. Choose a program, the response light will turn on. Then press the Start/Pause button, the dishwasher will start its cycle.

Changing The Program Mid-cycle

A program can only be changed if it has been running only for a short period of time, otherwise the detergent may have already been released or the wash water with detergent has already been drained. If this is the case, the dishwasher needs to be reset and the detergent dispenser must be refilled. To reset the dishwasher, follow the instructions below:

1. Press the Start/Pause button to pause the washing.

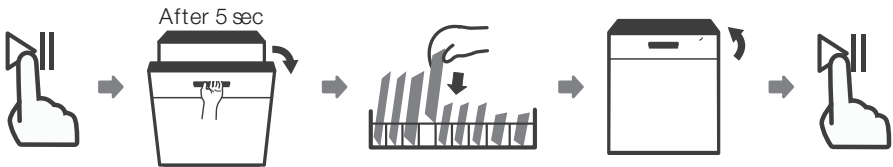
2. Press **▼** Program backward button more than three seconds the machine will be in **program selection mode**.
3. You can change the **▲** program forward or **▼** backward to the desired cycle setting.



Forget To Add A Dish?

A forgotten dish can be added any time before the detergent dispenser opens. If this is the case, follow the instructions below:

1. Press the Start/Pause button to pause the washing.
2. After the spray arms **stopped** working, you can open the door completely.
3. Add the forgotten dishes.
4. Close the door.
5. Press the Start/Pause button, the dishwasher will continued to run after 5 seconds.



⚠ WARNING



It is dangerous to open the door mid-cycle, as hot steam may scald you.

ERROR CODES

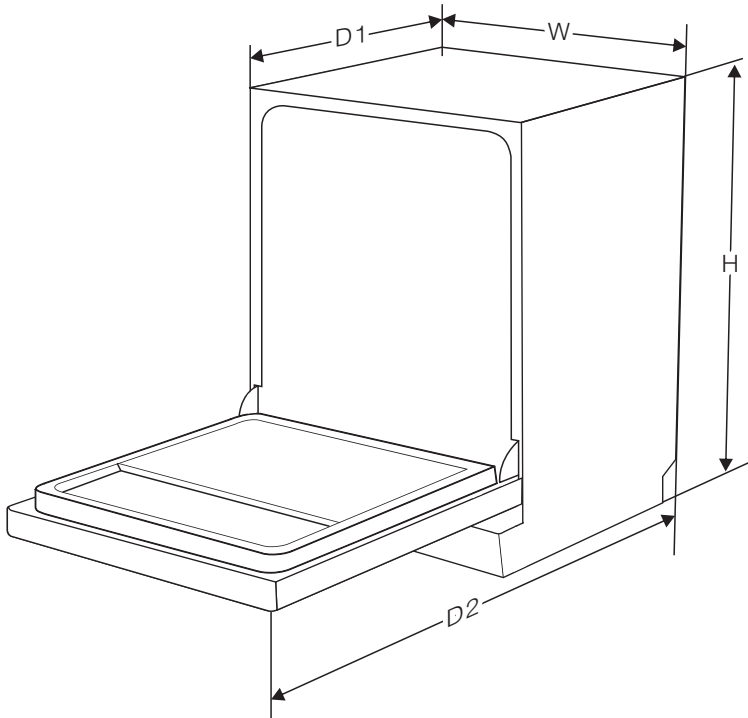
If there is a malfunction the dishwasher will display an error code. The following table shows possible error codes and their causes.

Codes	Meanings	Possible Causes
E1	Longer inlet time.	Faucets is not opened, or water intake is restricted, or water pressure is too low.
E3	Not reaching required temperature.	Malfunction of heating element .
E4	Overflow.	Some element of dishwasher leaks .
E8	Failure of orientation of distributary valve.	Open circuit or break of distributary valve.
E9	Keep pressing a button more than 30 seconds.	Water or something on the button.
Ec	Washing control system fail.	PCB or motor fail.
Ed	Failure of communication between main circuit board with display circuit board.	Open circuit or break wiring for the communication.

WARNING

- If overflow occurs, turn off the main water supply before calling a service.
- If there is water in the base pan because of an overfill or small leak, the water should be removed before restarting the dishwasher.
- If there is an error code that cannot be solved, please request professional assistance.

TECHNICAL INFORMATION



Height (H)	845mm
Width (W)	598mm
Depth (D1)	600mm (with the door closed)
Depth (D2)	1175mm (with the door opened 90°)

Product fiche (EN50242)

Sheet of household dishwasher according to EU Directive 1016/2010 & 1059/2010:

Manufacturer	HAFELE
Type / Description	HDW-F605B 535.29.660
Standard place settings	15
Energy efficiency class ①	A+
Annual energy consumption ②	304 kWh
Energy consumption of the standard cleaning cycle	1,069 kWh
Power consumption of off-mode	0,35 W
Power consumption of left-on mode	0,39W
Annual water consumption ③	2744 liter
Drying efficiency class ④	A
Standard cleaning cycle ⑤	ECO 53°C
Program duration of the standard cleaning cycle	200 min
Noise level	47dB(A)
Mounting	Free standing
Could be built-in	YES
Power consumption	1760-2100W
Rated voltage / frequency	220-240V/50Hz
Water pressure (flow pressure)	0,04-1,0MPa=0,4-10 bar

NOTE:

- ①** A + + + (highest efficiency) to D (lowest efficiency)
- ②** Energy consumption based on 280 standard cleaning cycles using cold water fill and the consumption of the low power modes. Actual energy consumption will depend on how the appliance is used.
- ③** Water consumption based on 280 standard cleaning cycles. Actual water consumption will depend on how the appliance is used.
- ④** A (highest efficiency) to G (lowest efficiency)
- ⑤** This program is suitable for cleaning soiled normally soiled tableware and that it is the most efficient program in terms of its combined energy and water consumption for that type of tableware.

HƯỚNG DẪN SỬ DỤNG



Scan Code For Warranty
Registration & Policy

MÁY RỬA CHÉN ĐỘC LẬP HDW-F605B
Các mã sản phẩm áp dụng: 535.29.660

Máy rửa chén

Hướng dẫn sử dụng

PHẦN I: Phiên bản phổ thông

Vui lòng đọc kỹ hướng dẫn này trước khi sử dụng máy rửa chén và giữ lại hướng dẫn này để tham khảo sau này.

MỤC LỤC

- 01 THÔNG TIN AN TOÀN**
- 02 TỔNG QUAN VỀ SẢN PHẨM**
- 03 SỬ DỤNG MÁY RỬA CHÉN CỦA BẠN**
 Nạp muối làm mềm nước vào bộ làm mềm nước
 Hướng dẫn sử dụng giỏ
- 04 BẢO TRÌ VÀ VỆ SINH**
 Vệ sinh bên ngoài
 Vệ sinh bên trong
 Bảo trì máy rửa chén
- 05 HƯỚNG DẪN LẮP ĐẶT**
 Kết nối nguồn điện
 Cấp và thoát nước
 Kết nối ống thoát nước
 Định vị máy rửa chén
 Lắp đặt đứng tự do
- 06 HƯỚNG DẪN XỬ LÝ SỰ CỐ**
- 07 NẠP BÁT ĐĨA VÀO GIỎ THEO EN50242**
 Hướng dẫn sử dụng giá để dao kéo

LƯU Ý:

- Xem lại phần Hướng dẫn khắc phục sự cố sẽ giúp bạn tự mình giải quyết một số vấn đề thường gặp.
- Nếu bạn không thể tự mình giải quyết vấn đề, phải nhờ kỹ thuật viên chuyên nghiệp hỗ trợ.
- Nhà sản xuất, tuân theo chính sách phát triển và cập nhật liên tục sản phẩm, có thể sửa đổi sản phẩm mà không cần thông báo trước.
- Nếu hướng dẫn sử dụng bị mất hoặc lỗi thời, bạn có thể nhận được hướng dẫn sử dụng mới từ nhà sản xuất hoặc nhà cung cấp được ủy quyền.

THÔNG TIN AN TOÀN

⚠ CẢNH BÁO

Khi sử dụng máy rửa chén, phải lưu ý đến các cảnh báo an toàn dưới đây:

- Việc lắp đặt và sửa chữa chỉ có thể được thực hiện bởi kỹ thuật viên có trình độ
- Thiết bị này được thiết kế để sử dụng trong gia đình và các mục đích sử dụng tương tự:
 - Khu vực bếp của nhân viên trong cửa hàng, văn phòng và các môi trường làm việc khác;
 - Nhà trang trại;
 - Khách hàng trong khách sạn, nhà nghỉ và các loại môi trường cư dân khác;
 - Khu vực ăn uống và nghỉ ngơi
- Thiết bị này có thể được sử dụng bởi trẻ em từ 8 tuổi trở lên và những người bị suy giảm năng lực về thể chất, giác quan hoặc tâm thần hoặc thiếu kinh nghiệm và kiến thức nếu họ được giám sát hoặc hướng dẫn sử dụng thiết bị một cách an toàn và hiểu rõ các mối nguy hiểm có liên quan.
- Trẻ em không được chơi đùa với thiết bị. Trẻ em không được phép vệ sinh và bảo trì thiết bị nếu không được giám sát. (Theo EN60335-1)

Thiết bị này không dành cho những người (bao gồm cả trẻ em) bị suy giảm thể chất, giác quan hoặc tâm thần hoặc thiếu kinh nghiệm và kiến thức sử dụng, trừ khi họ được giám sát hoặc hướng dẫn sử dụng thiết bị bởi người chịu trách nhiệm về sự an toàn của họ. (Theo IEC60335-1)

- Vật liệu đóng gói có thể gây nguy hiểm cho trẻ em!
 - Thiết bị này chỉ dành để sử dụng trong nhà.
- Để bảo vệ khỏi nguy cơ bị điện giật, không nhúng thiết bị, dây hoặc phích cắm vào nước hoặc chất lỏng khác.
- Phải rút phích cắm trước khi vệ sinh và bảo trì thiết bị.
 - Sử dụng một miếng vải mềm tắm xà phòng nhẹ để lau, sau đó dùng một miếng vải khô để lau lại.

HƯỚNG DẪN NỐI ĐẤT

- **Những thiết bị này phải được nối đất. Trong trường hợp xảy ra sự cố, nối đất sẽ giảm nguy cơ bị điện giật. Thiết bị này được trang bị phích cắm dây dẫn nối đất.**
- Phích cắm phải được cắm vào ổ cắm thích hợp, được lắp đặt và nối đất theo tất cả các quy định và quy định của địa phương.
- Việc kết nối dây dẫn nối đất của thiết bị không đúng cách có thể dẫn đến nguy cơ bị điện giật.
- Tham vấn thợ điện hoặc đại diện dịch vụ có chuyên môn nếu bạn nghi ngờ thiết bị có được nối đất đúng cách hay không.
- Không sửa đổi phích cắm đi kèm với thiết bị nếu phích cắm không vừa với ổ cắm.
- Yêu cầu thợ điện có chuyên môn lắp đặt ổ cắm thích hợp.
- Không sử dụng quá tải, ngồi lên hoặc đứng trên cửa hoặc giá bát đĩa của máy rửa chén.
- Không vận hành máy rửa chén của bạn trừ khi các nắp đậy được lắp đặt đúng chỗ.
- Mở cửa thật cẩn thận nếu máy rửa chén đang hoạt động, bởi vì nguy cơ nước bắn ra ngoài.

- Khi đưa bát đĩa vào:
 - 1) Xác định vị trí đặt các vật sắc nhọn sao cho không có khả năng làm hỏng đệm cửa;
 - 2) Cảnh báo: Dao và các dụng cụ có đầu nhọn khác phải được xếp vào giỏ với đầu nhọn hướng xuống dưới hoặc đặt ở vị trí nằm ngang.
- Một số chất tẩy rửa máy rửa chén có tính kiềm mạnh. Nếu nuốt phải sẽ rất nguy hiểm. Tránh tiếp xúc với da và mắt và trẻ em phải tránh xa máy rửa chén.
- Kiểm tra xem nước rửa chén đã hết sau khi hoàn thành chu trình rửa hay chưa.
 - Không rửa đồ dùng bằng nhựa trừ khi chúng được đánh dấu “dùng được trong máy rửa chén” hoặc tương đương.
 - Đối với các đồ dùng bằng nhựa không được đánh dấu, phải kiểm tra khuyến nghị của nhà sản xuất.
 - Chỉ sử dụng nước rửa chén và chất trợ xả được khuyến nghị sử dụng trong máy rửa chén tự động.
 - Không bao giờ sử dụng xà phòng, nước rửa tay hoặc bột rửa tay trong máy rửa chén.
 - Không để cửa mở vì có thể gây ra nguy cơ vấp ngã.

Nếu dây nguồn bị hỏng thì phải được thay thế bởi nhà sản xuất hoặc đại lý được ủy quyền hoặc người có trình độ chuyên môn để tránh nguy hiểm.

- Trong quá trình lắp đặt, dây điện không được uốn cong hoặc đè nén quá mức.
- Không được can thiệp vào hệ thống điều khiển
- Thiết bị phải kết nối với van nước chính bằng ống mềm mới. Không được sử dụng ống cũ.
- Để tiết kiệm điện năng, ở chế độ chờ, thiết bị sẽ tự động tắt khi không hoạt động nào trong 30 phút.
- Số lượng chế độ cài đặt tối đa là 15.
- Áp lực nước đầu vào tối đa cho phép là 1MPa.
- Áp lực nước đầu vào tối thiểu cho phép là 0,04MPa.

Thải bỏ

- Để thải bỏ bao bì và thiết bị, vui lòng đến trung tâm tái chế. Vì vậy, hãy cắt cáp nguồn và làm cho thiết bị đóng cửa không thể sử dụng được.

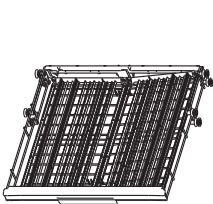
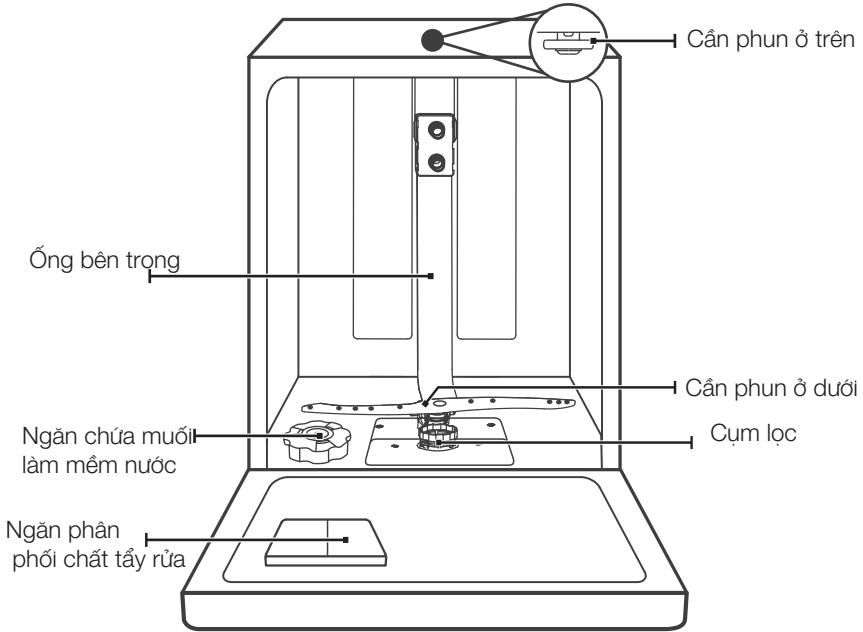


- Bao bì các tông được sản xuất từ giấy tái chế và phải thải bỏ ở khu vực giấy tái chế.
- Đảm bảo sản phẩm thải bỏ đúng cách, bạn sẽ giúp ngăn ngừa những hậu quả tiêu cực tiềm ẩn đối với môi trường và sức khỏe con người, có thể xảy ra do việc xử lý chất thải không phù hợp từ sản phẩm này.
- Để biết thêm thông tin chi tiết về việc tái chế sản phẩm này, vui lòng liên hệ với văn phòng thành phố địa phương và dịch vụ xử lý rác thải sinh hoạt của bạn.
- **THẢI BỎ: Không thải bỏ sản phẩm mà chưa phân loại. Cần phải thu gom riêng và xử lý bằng phương pháp đặc biệt theo quy định.**

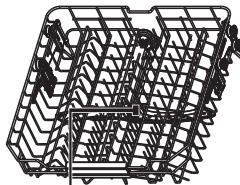
TỔNG QUAN VỀ SẢN PHẨM

❶ QUAN TRỌNG

Để máy rửa chén của bạn đạt hiệu suất tốt nhất, đọc tất cả hướng dẫn vận hành trước khi sử dụng lần đầu tiên.



Giá để dao kéo



Cần phun ở trên

Giỏ trên



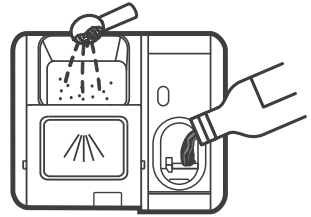
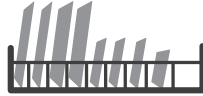
Giỏ dưới

☀️ LƯU Ý:

Hình ảnh chỉ mang tính tham khảo, các model khác nhau có thể khác nhau. Phải sử dụng theo thực tế.

SỬ DỤNG MÁY RỬA CHÉN CỦA BẠN

Trước khi sử dụng máy rửa chén:



Bên trong → Bên ngoài

1. Cài đặt bộ làm mềm nước
2. Nạp muối vào bộ làm mềm nước
3. Đưa giỏ đựng vào
4. Nạp chất tẩy rửa vào ngăn



Vui lòng kiểm tra mục 1 “Bộ làm mềm nước” của PHẦN II: Phiên bản đặc biệt, nếu bạn cần cài đặt bộ làm mềm nước.

Nạp chất tẩy rửa vào ngăn phân phối.

💡 LƯU Ý:

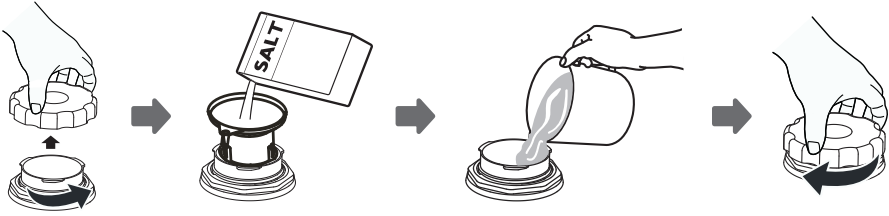
Nếu model của bạn không có bộ làm mềm nước, bạn có thể bỏ qua phần này. Luôn sử dụng đúng loại muối làm mềm nước dành cho máy rửa chén. Ngăn chứa muối làm mềm nằm bên dưới giỏ phía dưới và phải được đổ đầy muối như sau:



CẢNH BÁO


- **Chỉ sử dụng muối chuyên dụng cho máy rửa chén!**
Chỉ sử dụng loại muối chuyên dụng làm mềm nước cho máy. Trong trường hợp hư hỏng do sử dụng muối không phù hợp, nhà sản xuất sẽ không bảo hành và sẽ không chịu trách nhiệm đối với hư hỏng đó.
- **Chỉ đổ đầy muối trước khi chạy máy để rửa chén đĩa**
Giúp ngăn chặn hạt muối hoặc nước muối chảy ra, động lại dưới đáy máy có thể gây ăn mòn.

Vui lòng làm theo các bước dưới đây để thêm muối vào máy rửa chén:



1. Tháo giỏ dưới và tháo nắp bình chứa.
2. Đặt đầu phễu (nếu được cung cấp) vào lỗ và đổ khoảng 1,5kg muối rửa chén vào.
3. Đổ đầy nước vào ngăn chứa muối đến mức tối đa. Một lượng nhỏ nước chảy ra khỏi ngăn muối là hiện tượng bình thường.
4. Sau khi đổ đầy thùng chứa, vặn chặt nắp lại.
5. Đèn cảnh báo muối sẽ ngừng sáng sau khi ngăn chứa muối đã được đổ đầy muối.
6. Ngay sau khi đổ muối vào ngăn chứa muối, nên bắt đầu chạy máy (Chúng tôi khuyến nghị nên sử dụng chương trình rửa ngắn). Nếu không hệ thống lọc, máy bơm hoặc các bộ phận quan trọng khác của máy có thể bị hư hỏng do nước mặn. Hư hỏng này không được bảo hành.

💡 LƯU Ý:

- Ngăn chứa muối chỉ được đổ đầy lại khi đèn cảnh báo muối () ở trên bảng điều khiển bật lên. Tùy thuộc vào mức độ hòa tan của muối, đèn cảnh báo muối có thể vẫn sáng ngay cả khi ngăn chứa muối đã đầy. Nếu không có đèn cảnh báo muối trong bảng điều khiển (đối với một số Kiểu máy), bạn có thể ước tính thời điểm đổ muối vào chất làm mềm theo chu trình mà máy rửa chén đã chạy.
- Nếu muối bị đổ ra ngoài, hãy chạy chương trình ngâm (soak) hoặc chương trình nhanh (quick) để loại bỏ muối.

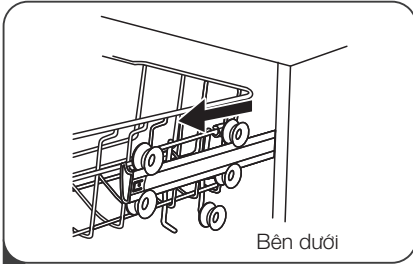
Hướng dẫn sử dụng giỏ

Điều chỉnh giỏ trên

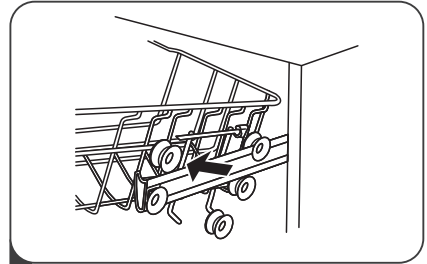
Loại 1:

Chiều cao của giỏ trên có thể dễ dàng điều chỉnh để phù hợp với chén đĩa ở vị trí cao hơn trong giỏ trên hoặc giỏ dưới.

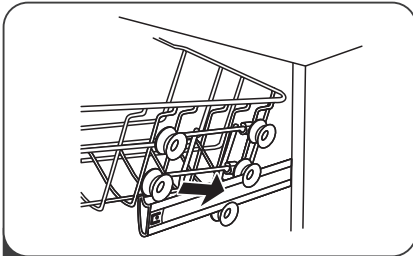
Để điều chỉnh chiều cao của giá trên, hãy làm theo các bước sau:



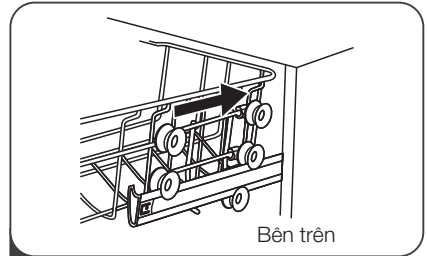
1 Kéo giỏ trên ra



2 Tháo giỏ trên

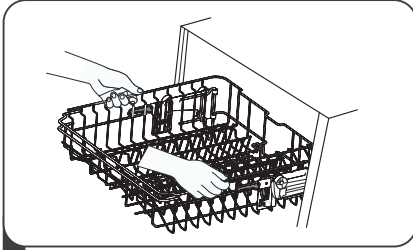


3 Lắp lại giỏ trên vào con lăn trên hoặc dưới

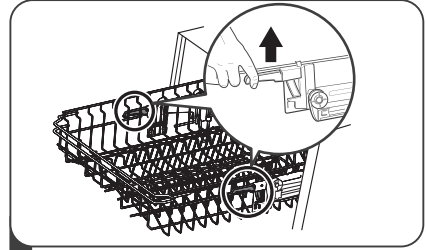


4 Đẩy giỏ trên vào

Loại 2



1 Nâng giỏ phía trên ở giữa mỗi bên cho đến khi giỏ khớp vào vị trí phía trên. Không cần thiết phải nâng tay cầm điều chỉnh



2 Để hạ thấp giỏ trên, hãy điều chỉnh tay cầm ở mỗi bên để nhà giỏ và hạ xuống vị trí thấp hơn.

Gấp kệ đựng ly, cốc

Để nhường chỗ cho những món đồ cao hơn ở giỏ trên, hãy nâng giá để cốc lên trên.

Sau đó bạn có thể tựa ly cốc thủy tinh cao vào đó. Bạn cũng có thể tháo ra khi không cần thiết.

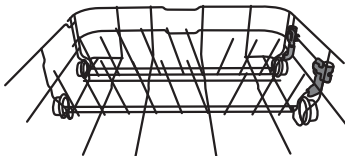


Gấp các kệ giữ

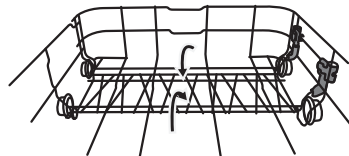
Các gai của kệ dùng để giữ các loại đĩa.

Chúng có thể được hạ xuống để có thêm không gian cho những đồ dùng lớn hơn.

Nâng lên



Gấp lại



BẢO TRÌ VÀ VỆ SINH

Vệ sinh bên ngoài

Cánh cửa và gioăng làm kín cửa

Thường xuyên lau chùi các gioăng cửa bằng vải ẩm mềm để loại bỏ cặn thức ăn. Khi đưa bát đĩa, đồ dùng vào máy, cặn thức ăn và đồ uống có thể nhỏ giọt sang hai bên cửa máy rửa chén. Những bề mặt này nằm bên ngoài tủ rửa và nước từ cần phun không thể tiếp cận được. Phải lau sạch cặn bả trước khi đóng lại.

Bảng điều khiển

Nếu cần vệ sinh, chỉ nên lau bảng điều khiển bằng vải mềm ẩm.

CẢNH BÁO

- Để tránh nước xâm nhập vào khóa cửa và các thiết bị điện, không sử dụng bất kỳ loại chất tẩy rửa dạng xịt nào.
- Không bao giờ sử dụng chất tẩy rửa có tính ăn mòn hoặc miếng cọ rửa trên bề mặt bên ngoài vì chúng có thể làm trầy xước lớp sơn hoàn thiện. Một số loại khăn giấy cũng có thể làm xước hoặc để lại dấu vết trên bề mặt.

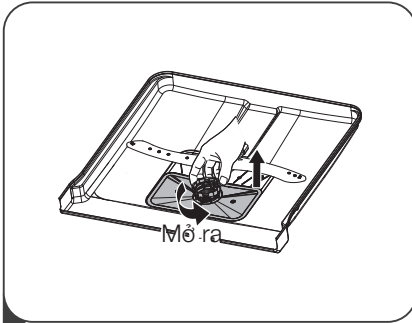
Vệ sinh bên trong

Hệ thống lọc

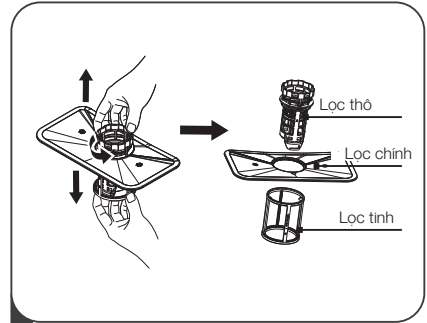
Hệ thống lọc ở đáy máy giữ lại các mảnh vụn thô từ quá trình rửa. Các mảnh vụn thô làm tắc nghẽn bộ lọc. Kiểm tra các bộ lọc thường xuyên và làm sạch chúng nếu cần thiết bằng vòi nước chảy. Hãy làm theo các bước dưới đây để làm sạch bộ lọc trong máy.

LƯU Ý:

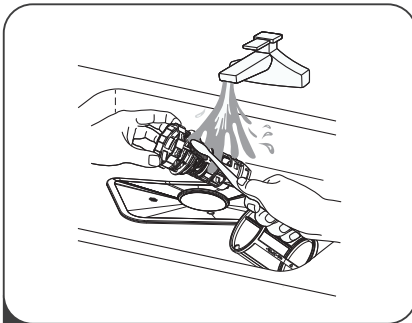
Hình ảnh chỉ mang tính tham khảo, các model hệ thống lọc và cần phun có thể khác nhau.



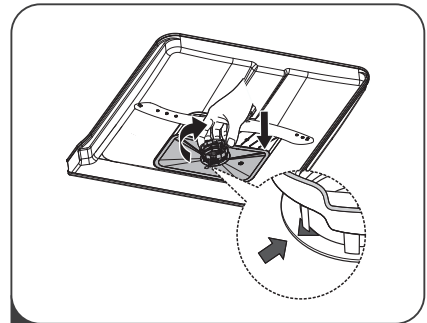
- 1 Giữ bộ lọc thô và xoay ngược chiều kim đồng hồ để mở khóa bộ lọc. Nhấc bộ lọc lên trên và tháo ra khỏi máy rửa chén.



- 2 Bộ lọc mịn có thể được kéo ra khỏi phần dưới của cụm bộ lọc. Có thể tháo bộ lọc thô ra khỏi bộ lọc chính bằng cách bóp nhẹ các tab ở trên cùng và kéo ra.



- 3 Thức ăn còn sót lại lớn có thể được làm sạch bằng vòi nước chảy. Để làm sạch kỹ hơn, hãy sử dụng bàn chải loại mềm.



- 4 Lắp lại các bộ lọc theo thứ tự ngược lại khi tháo và xoay theo chiều kim đồng hồ đến mũi tên đóng.



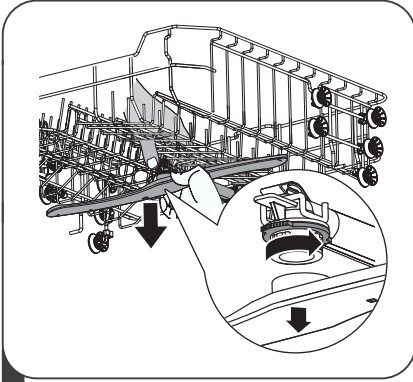
CẢNH BÁO

- Không vận chặt các bộ lọc quá mức. Lắp lại các bộ lọc đúng trình tự và an toàn, nếu không các mảnh vụn thô có thể xâm nhập vào hệ thống và gây tắc nghẽn.
- Không sử dụng máy rửa chén mà không có bộ lọc trên máy. Thay thế bộ lọc không đúng cách có thể làm giảm hiệu suất của máy và làm hỏng bát đĩa và đồ dùng.

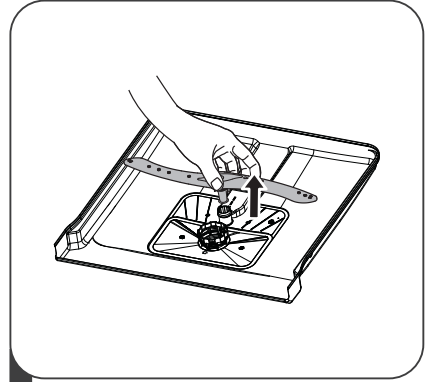
Cần phun

Cần phải vệ sinh cần phun thường xuyên vì hóa chất nước cứng sẽ làm tắc cần phun và vòng bi.

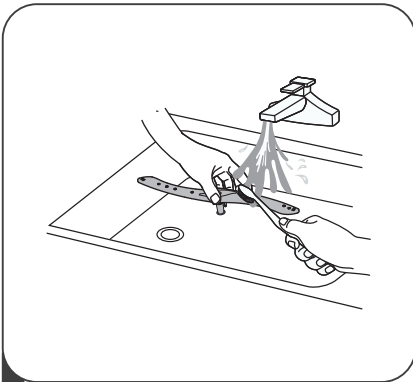
Để làm sạch cần phun, hãy làm theo hướng dẫn dưới đây:



1 Để tháo cần phun phía trên, hãy giữ yên đai ốc ở giữa và xoay cần phun ngược chiều kim đồng hồ để tháo ra.



2 Để tháo cần phun phía dưới, kéo cần phun lên



3 Rửa cần phun bằng xà phòng và nước ấm rồi dùng bàn chải mềm để làm sạch vòi phun. Lắp lại sau khi rửa kỹ.

Bảo dưỡng máy rửa chén

Đề phòng đóng băng

Hãy thực hiện các biện pháp chống đóng băng trên máy rửa chén vào mùa đông. Mỗi lần sau quá trình rửa, vui lòng thực hiện như sau:

1. Ngắt nguồn điện của máy.
2. Tắt nguồn cấp nước và ngắt đường ống cấp nước tại van.
3. Xả nước từ đường ống vào và từ van nước. (dùng chậu để hứng nước)
4. Kết nối lại đường ống cấp nước vào van nước.
5. Tháo bộ lọc ở đáy bồn và dùng miếng bọt biển để thấm nước ở đáy.

Sau mỗi lần rửa

Sau mỗi lần rửa, hãy tắt nguồn cấp nước cho thiết bị và để cửa mở nhẹ để hơi ẩm và mùi hôi không bị đọng lại bên trong.

Rút phích cắm

Trước khi vệ sinh hoặc thực hiện bảo trì, luôn rút phích cắm ra khỏi ổ cắm.

Không sử dụng môi hoặc chất tẩy rửa ăn mòn

Để làm sạch bên ngoài và các bộ phận cao su của máy rửa chén, không sử dụng dung môi hoặc sản phẩm tẩy rửa có tính ăn mòn. Chỉ sử dụng một miếng vải với nước xà phòng ấm.

Để loại bỏ các đốm hoặc vết bẩn ở bề mặt bên trong, sử dụng một miếng vải thấm nước và một ít giấm hoặc sản phẩm tẩy rửa dành riêng cho máy rửa chén.

Khi không sử dụng trong thời gian dài

Bạn nên chạy máy không tải, sau đó rút phích cắm ra khỏi ổ cắm, tắt nguồn cấp nước và để cửa thiết bị mở nhẹ, sẽ giúp đệm cửa bền lâu hơn và ngăn mùi hôi hình thành bên trong thiết bị.

Di chuyển thiết bị

Nếu phải di chuyển thiết bị, phải giữ thiết bị ở vị trí thẳng đứng. Nếu thực sự cần thiết, có thể để thiết bị nằm xuống.

Gioăng cửa

Một trong những yếu tố hình thành mùi hôi trong máy rửa chén là thức ăn còn đọng lại trong các gioăng cửa. Vệ sinh định kỳ bằng miếng bọt biển ẩm sẽ giúp ngăn chặn mùi hôi.

HƯỚNG DẪN LẮP ĐẶT

⚠ CẢNH BÁO



**Nguy cơ điện giật
Ngắt nguồn điện trước khi lắp đặt
máy rửa chén.**

⚠ Chú ý

Việc lắp đặt đường ống và thiết bị điện phải được thực hiện bởi những người có chuyên môn.

Về kết nối nguồn điện

⚠ CẢNH BÁO

Để đảm bảo an toàn cá nhân:

- Không sử dụng dây nối dài hoặc phích cắm chuyển đổi với thiết bị này.
- Trong mọi trường hợp, không được cắt hoặc tháo nối đất.

Yêu cầu về điện

Xem nhãn thông số để biết điện áp định mức và kết nối máy rửa chén với nguồn điện thích hợp. Nếu yêu cầu sử dụng cầu chì 10A/13A/16A, cầu chì trễ thời gian hoặc aptomat được khuyến nghị sử dụng và cung cấp mạch điện riêng chỉ phục vụ cho thiết bị này.

Kết nối điện

Đảm bảo điện áp và tần số của nguồn điện tương ứng với điện áp trên nhãn thông số. Chỉ cắm phích cắm vào ổ điện đã được nối đất đúng cách. Nếu ổ cắm điện mà thiết bị kết nối không phù hợp với phích cắm, hãy thay ổ cắm thay vì sử dụng bộ chuyển đổi hoặc thiết bị tương tự vì chúng có thể gây quá nhiệt và cháy.

⚠ Đảm bảo rằng đã có nối đất thích hợp trước khi sử dụng

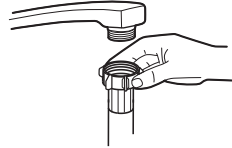
Cấp và thoát nước cho máy rửa chén

Kết nối nước lạnh

Nối ống cấp nước lạnh với đầu nối có ren 3/4(inch) và đảm bảo lắp đặt đúng vị trí

Nếu đường ống nước mới hoặc chưa được sử dụng trong một thời gian dài, để nước chảy một lúc trước khi lắp.

Biện pháp phòng ngừa này là cần thiết để tránh nguy cơ tắc nước đầu vào và làm hỏng máy.



Ống cấp nước thông thường



Ống cấp nước an toàn

Ống cấp nước an toàn

Ống cung cấp an toàn bao gồm hai lớp. Hệ thống ống mềm đảm bảo chặn dòng nước trong trường hợp ống cấp bị vỡ và khoảng cách giữa chính ống cấp và ống lượn sóng bên ngoài chứa đầy nước.

⚠ CẢNH BÁO

Ống gắn vào vòi xịt bồn rửa có thể bị vỡ nếu được lắp đặt trên cùng đường nước với máy rửa chén. Nếu bồn rửa của bạn có vòi xịt, bạn nên ngắt ống và bịt lỗ lại.

Cách nối ống cấp nước an toàn

1. Kéo hoàn toàn các ống cấp an toàn ra khỏi ngăn chứa nằm ở phía sau máy rửa chén.
2. Siết chặt các vít của ống cấp an toàn vào vòi bằng ren 3/4 inch.
3. Bật nước hoàn toàn trước khi khởi động máy rửa chén.

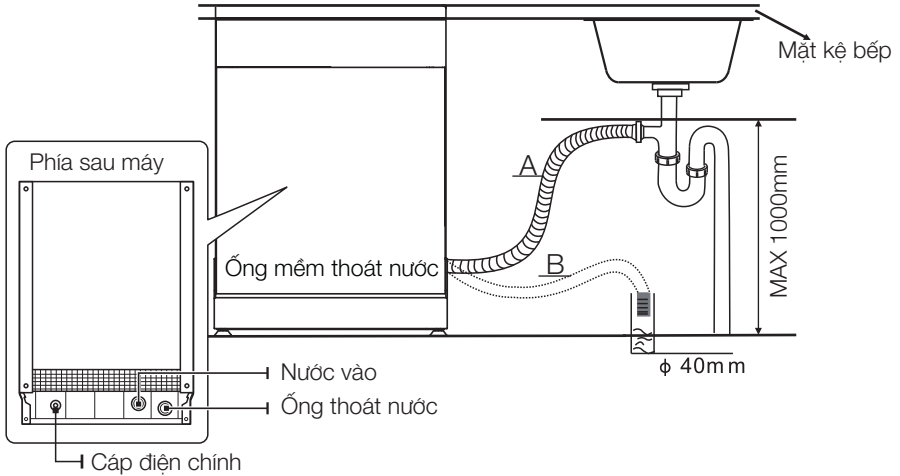
Cách ngắt kết nối ống cấp an toàn

1. Tắt vòi nước.
2. Rút ống cấp an toàn ra khỏi vòi.

Kết nối ống thoát nước

Lắp ống thoát nước mềm vào ống thoát nước có đường kính tối thiểu 4 cm hoặc để chảy vào bồn rửa, đảm bảo không bị cong, gấp nếp. Chiều cao ống thoát nước phải nhỏ hơn 1000mm. Đầu tự do của ống không được ngâm trong nước để tránh nước chảy ngược.

⚠ Vui lòng cố định chắc chắn ống xả ở vị trí A hoặc vị trí B



Làm thế nào để thoát nước dư thừa từ ống

Nếu bồn rửa cao hơn sàn 1000mm thì lượng nước dư thừa trong ống không thể xả trực tiếp vào bồn rửa. Cần phải xả nước thừa từ ống vào bát hoặc thùng chứa thích hợp được đặt bên ngoài và thấp hơn bồn rửa.

Cửa xả nước

Nối ống thoát nước. Ống thoát nước phải được lắp đúng cách để tránh rò rỉ nước. Đảm bảo ống xả nước không bị xoắn hoặc bị đè bẹp.

Ống nối dài

Nếu bạn cần nối dài ống thoát nước, phải đảm bảo loại ống tương tự.

Ống không được dài quá 4 mét; nếu không hiệu quả làm sạch của máy rửa chén có thể bị giảm.

Kết nối siphon

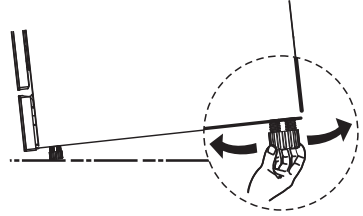
Đường nối ống nước thải phải ở độ cao dưới 100 cm (tối đa) tính từ đáy máy. Ống thoát nước phải được cố định.

Định vị máy

Đặt máy ở vị trí mong muốn. Mặt sau phải tựa vào bức tường phía sau và hai bên dọc theo tủ hoặc tường liền kề. Máy rửa chén được trang bị các ống cấp và xả nước có thể được đặt ở bên phải hoặc bên trái để thuận tiện cho việc lắp đặt.

Cân bằng thiết bị

Sau khi thiết bị được định vị để cân bằng, chiều cao của máy rửa chén có thể được thay đổi nhờ điều chỉnh mức vít của các chân. Trong mọi trường hợp, thiết bị không được nghiêng quá 2°.



☀️ LƯU Ý:

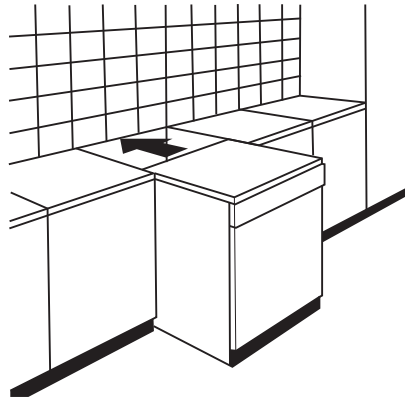
Chỉ áp dụng cho máy rửa chén đứng tự do.

Lắp đặt đứng tự do

Bước 1. Lắp giữa các tủ hiện có

Chiều cao của máy rửa chén, 845 mm, được thiết kế để lắp máy giữa các tủ hiện có có cùng chiều cao trong nhà bếp. Chân có thể được điều chỉnh để đạt được chiều cao phù hợp.

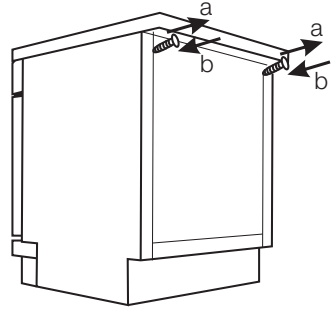
Mặt trên nhiều lớp của máy không cần chăm sóc đặc biệt vì nó có khả năng chịu nhiệt, chống trầy xước và chống bám bẩn.



Bước 2. Bên dưới mặt bếp

Khi lắp bên dưới mặt bếp)

Trong hầu hết các nhà bếp được trang bị hiện đại, chỉ có một mặt bếp duy nhất để lắp tủ và các thiết bị điện. Trong trường hợp này, hãy tháo mặt trên của máy rửa chén bằng cách tháo các vít ở cạnh sau của mặt trên (a).



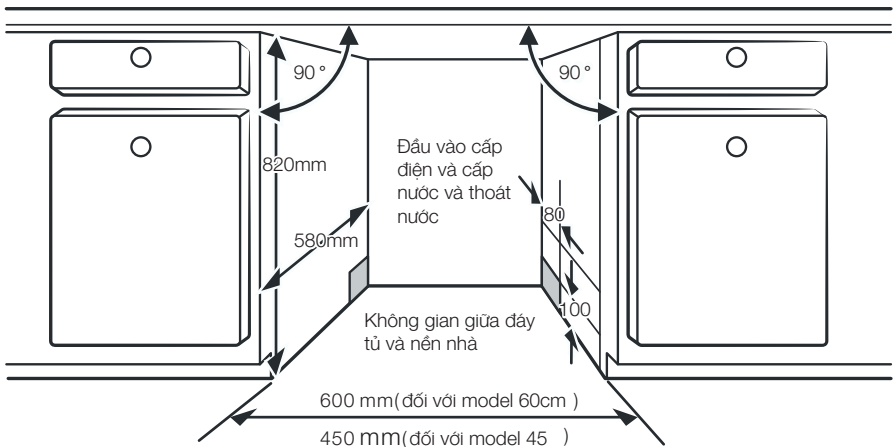
⚠ Chú ý

Sau khi tháo mặt trên, các vít phải được vận lại dưới mép sau của mặt trên (b). Chiều cao sau đó sẽ giảm xuống còn 815 mm, theo quy định của Tiêu chuẩn (ISO) và máy rửa chén sẽ vừa vận với mặt bếp.

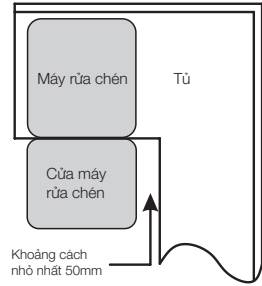
Lựa chọn vị trí tốt nhất cho máy rửa chén.

Vị trí lắp đặt máy rửa chén phải gần các ống cấp, thoát nước và nguồn điện hiện có. Hình minh họa kích thước tủ và vị trí lắp đặt máy rửa chén.

1. Dưới 5 mm giữa mặt trên của máy rửa chén và tủ và cửa ngoài thẳng hàng với tủ.



2. Nếu máy rửa chén được lắp ở góc tủ, cần có khoảng trống khi mở cửa.



LƯU Ý:

Tùy thuộc vào vị trí ổ cắm điện, bạn có thể phải khoét một lỗ ở phía tủ đối diện.

HƯỚNG DẪN KHẮC PHỤC SỰ CỐ

Trước khi gọi dịch vụ

Xem xét các hướng dẫn dưới đây có thể giúp bạn tự xử lý mà không cần phải gọi dịch vụ.

Vấn đề	Nguyên nhân	Biện pháp khắc phục
Máy rửa chén không khởi động	Cầu chì bị đứt hoặc aptomat nhảy	Thay cầu chì hoặc bật lại aptomat. Không dùng chung mạch điện với thiết bị khác.
	Chưa bật nguồn	Đảm bảo máy rửa chén đã được bật và cửa được đóng chặt. Đảm bảo dây nguồn được cắm đúng cách vào ổ cắm trên tường.
	Áp lực nước thấp	Kiểm tra xem nguồn cấp nước có được kết nối đúng cách và đã bật nước chưa.
	Cửa máy rửa chén không đóng đúng cách.	Đảm bảo đóng cửa đúng cách và cài chốt.
Máy rửa chén không bơm được nước	Ống thoát nước bị xoắn hoặc bị kẹt.	Kiểm tra ống thoát nước.
	Bộ lọc bị tắc.	Kiểm tra hệ thống lọc.
	Bồn rửa nhà bếp bị tắc.	Kiểm tra bồn rửa nhà bếp để đảm bảo thoát nước tốt. Nếu có vấn đề với bồn rửa nhà bếp, bạn có thể cần thợ nước thay vì nhân viên kỹ thuật máy rửa chén.
Bọt trong lồng máy	Chất tẩy rửa không phù hợp	Chỉ sử dụng chất tẩy rửa dành riêng cho máy rửa chén để tránh tạo bọt. Nếu điều này xảy ra, mở máy rửa chén và để bọt bay hơi. Thêm 1lit nước lạnh vào đáy máy rửa chén. Đóng cửa máy rửa chén, sau đó chọn bất kỳ chu trình rửa nào. Ban đầu, máy rửa chén sẽ xả hết nước. Mở cửa sau khi hoàn tất giai đoạn xả nước và kiểm tra xem bọt đã hết chưa. Lặp lại nếu cần thiết.

Vấn đề	Nguyên nhân	Biện pháp khắc phục
	Chất trợ xả bị tràn	Luôn lau sạch chất trợ xả tràn ra ngay lập tức.
Bên trong lồng rửa bị ố màu	Chất tẩy rửa có chất tạo màu có thể đã được sử dụng.	Đảm bảo chất tẩy rửa không có chất tạo màu.
Màng trắng ở bề mặt bên trong	Khoáng chất nước cứng.	Để làm sạch bên trong, hãy sử dụng miếng bọt biển ẩm có chứa chất tẩy rửa dành cho máy rửa chén và đeo găng tay cao su. Không bao giờ sử dụng bất kỳ chất tẩy rửa nào khác ngoài chất tẩy rửa dành cho máy rửa chén, nếu không nó có thể tạo bọt hoặc sủi bọt.
Có vết rỉ sét trên dao kéo	Dao kéo không có khả năng chống ăn mòn.	Tránh rửa các vật dụng không có khả năng chống ăn mòn trong máy rửa chén.
	Không chạy máy sau khi thêm muối vào máy rửa chén. Muối đã vào quá trình rửa.	Luôn chạy chương trình rửa mà không dùng bát đĩa sau khi thêm muối. Không chọn chức năng Turbo (nếu có) sau khi thêm muối rửa chén.
	Nắp của bộ làm mềm nước bị lỏng	Kiểm tra xem nắp bộ làm mềm nước có đảm bảo không
Tiếng gõ trong máy rửa chén	Cần phun đang va vào bát đĩa, vật dụng trong giỏ.	Ngắt chương trình và sắp xếp lại vật dụng đang cản trở cần phun.
Tiếng ồn trong máy rửa chén	Bát đĩa bị lỏng lẻo trong máy rửa chén.	Ngừng chương trình và sắp xếp lại bát đĩa.
Có tiếng gõ trong đường ống nước	Do quá trình lắp đặt hoặc do ống nước va vào các bề mặt.	Điều này không ảnh hưởng đến chức năng của máy rửa chén. Nếu nghi ngờ, hãy liên hệ với thợ nước có trình độ.
Bát đĩa không sạch	Bát đĩa không được xếp đúng cách.	Xem PHẦN II “Chuẩn bị và sắp xếp bát đĩa”.

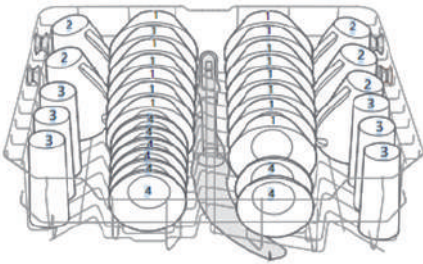
Vấn đề	Nguyên nhân	Biện pháp khắc phục
	Không đầy đủ chất tẩy rửa	Sử dụng nhiều chất tẩy rửa hơn hoặc thay chất tẩy rửa phù hợp.
	Các vật dụng đang cản trở chuyển động của cần phun.	Sắp xếp lại các vật dụng để cần phun có thể xoay tự do.
Bát đĩa không sạch.	Bộ lọc kết hợp không sạch hoặc không được lắp đúng cách vào đế máy rửa. Điều này có thể khiến vòi phun bị tắc.	Làm sạch và/hoặc lắp bộ lọc đúng cách. Làm sạch các vòi phun của cần phun.
Vết đục trên đồ thủy tinh.	Là hỗn hợp nước mềm và quá nhiều chất tẩy rửa.	Sử dụng ít chất tẩy rửa hơn nếu bạn có nước mềm và chọn chu trình ngắn hơn để rửa đồ thủy tinh và làm sạch chúng.
Những đốm trắng xuất hiện trên bát đĩa và ly, cốc.	Khu vực nước cứng có thể gây ra cặn vôi.	Kiểm tra cài đặt bộ làm mềm nước hoặc ngăn chứa muối làm mềm nước có nạp đủ lượng muối không.
Vết đen hoặc xám trên bát đĩa	Dụng cụ bằng nhôm đã cọ xát vào bát đĩa	Sử dụng chất tẩy rửa có tính ăn mòn nhẹ để loại bỏ những vết đó.
Chất tẩy rửa còn sót lại trong ngăn chứa	Bát đĩa chặn ngăn chứa	Xếp lại bát đĩa đúng cách.
	Nạp bát đĩa vào máy không đúng cách.	Sử dụng găng tay nếu có cặn chất tẩy rửa trên bát đĩa để tránh kích ứng da.
Bát đĩa không khô	Bát đĩa được lấy ra quá sớm.	Không xả sạch máy rửa chén ngay sau khi rửa. Mở nhẹ cửa để hơi nước có thể thoát ra ngoài. Lấy bát đĩa ra cho đến khi nhiệt độ bên trong có thể chạm vào được. Trước tiên hãy dỡ giỏ dưới ra để tránh nước xuống từ giỏ trên.

Vấn đề	Nguyên nhân	Biện pháp khắc phục
Bát đĩa không khô	Chọn chương trình sai	Với chương trình ngắn, nhiệt độ rửa thấp hơn, làm giảm hiệu suất rửa. Chọn chương trình có thời gian rửa lâu.
	Sử dụng dao kéo có lớp phủ chất lượng thấp.	Việc thoát nước khó khăn hơn với những vật dụng này. Dao kéo hoặc bát đĩa loại này không thích hợp để rửa trong máy rửa chén.

NẠP BÁT ĐĨA VÀO GIỎ THEO EN50242:

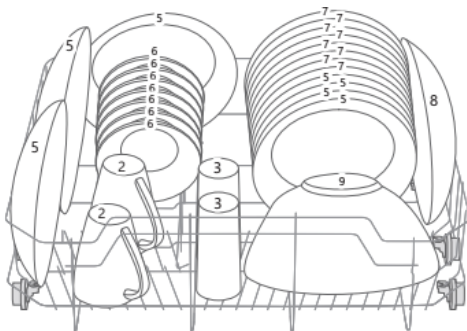
Nạp đầy vật dụng cho máy rửa giúp phát huy tối đa công suất và tiết kiệm nước và điện năng.

1. Giỏ trên:



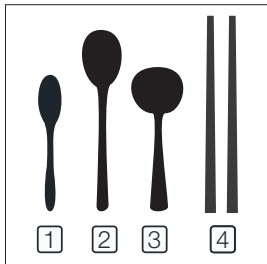
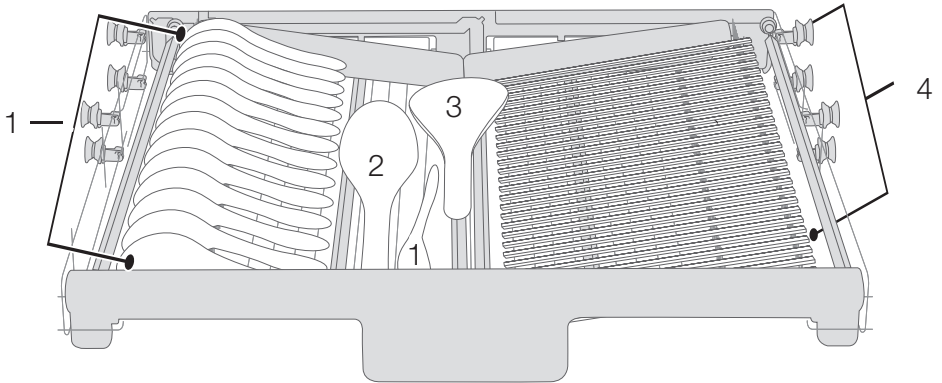
TT	Vật dụng
1	Bát cơm
2	Cốc
3	Ly thủy tinh
4	Đĩa nhỏ

2. Giỏ dưới:



TT	Vật dụng
5	Đĩa sâu
6	Bát mì
7	Đĩa cạn
8	Đĩa cá
9	Bát canh

3. Giá đựng dao kéo:



TT	Vật dụng
1	Thìa súp nhỏ
2	Thìa súp vừa
3	Môi lấy cơm
4	Đũa

Thông tin thử nghiệm theo EN 50242

Dung tích: 15 vị trí cài đặt

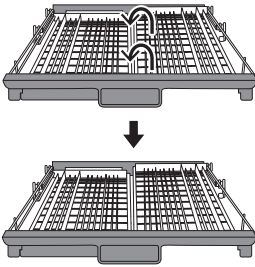
Vị trí của giỏ trên: vị trí phía dưới

Chương trình: ECO

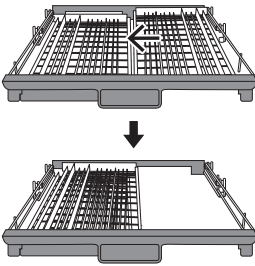
Cài đặt chất trợ xả: 6

Cài đặt muối làm mềm: H3

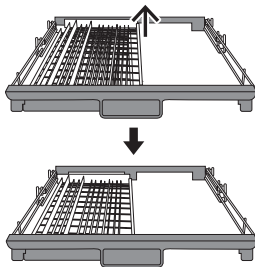
Hướng dẫn sử dụng giá để dao, kéo



Nhấc giỏ bên phải lên, cả giỏ trái và phải đều phẳng.



Di chuyển giỏ bên phải từ phải sang trái, hai giỏ chống lên nhau.



Lấy giỏ bên phải ra khỏi khay, chỉ còn giỏ bên trái.

Máy rửa chén

Hướng dẫn sử dụng

PHẦN II: Phiên bản đặc biệt

Vui lòng đọc kỹ hướng dẫn này trước khi sử dụng máy rửa chén và giữ lại hướng dẫn này để tham khảo sau này.

MỤC LỤC

01 SỬ DỤNG MÁY RỬA CHÉN CỦA BẠN

Bảng điều khiển

Bộ làm mềm nước

Chuẩn bị và sắp xếp bát đĩa vào máy

Chức năng chất trợ xả và chất tẩy rửa

Nạp chất trợ xả vào ngăn chứa

Nạp chất tẩy rửa vào ngăn chứa

02 CHỌN CHƯƠNG TRÌNH

Bảng chu kỳ rửa

Tiết kiệm điện năng

Khởi động một chương trình

Thay đổi chương trình giữa chu trình rửa.

Quên thêm bát đĩa?

03 MÃ LỖI

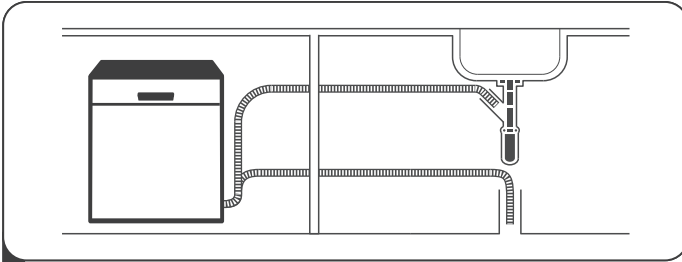
04 THÔNG SỐ KỸ THUẬT

💡 LƯU Ý:

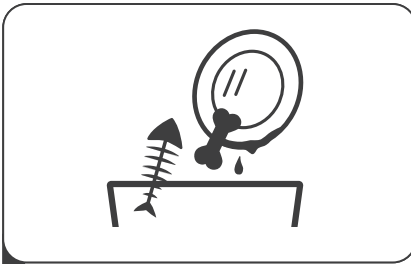
- Nếu bạn không thể tự mình giải quyết vấn đề, phải nhờ kỹ thuật viên chuyên nghiệp hỗ trợ.
- Nhà sản xuất, tuân theo chính sách phát triển và cập nhật liên tục sản phẩm, có thể sửa đổi sản phẩm mà không cần thông báo trước.
- Nếu hướng dẫn sử dụng bị mất hoặc lỗi thời, bạn có thể nhận được hướng dẫn sử dụng mới từ nhà sản xuất hoặc nhà cung cấp được ủy quyền.

HƯỚNG DẪN SỬ DỤNG NHANH

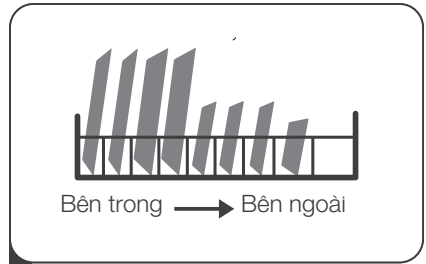
Vui lòng đọc nội dung tương ứng trên hướng dẫn sử dụng để biết cách sử dụng máy.



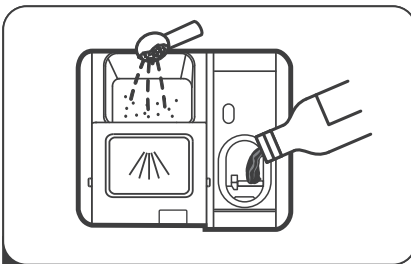
- 1 Lắp đặt máy rửa chén
(Vui lòng xem phần 5 “HƯỚNG DẪN CÀI ĐẶT” của PHẦN I: Phiên bản phổ thông)



- 2 Loại bỏ cặn lớn trên đĩa.
 Không rửa trước



- 3 Nạp bát đĩa vào các giỏ
 Bên trong → Bên ngoài



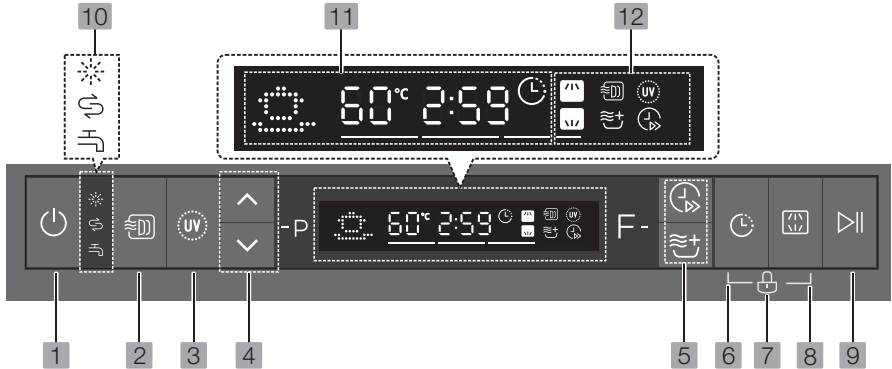
- 4 Nạp chất tẩy rửa và chất trợ xả vào ngăn chứa



- 5 Chọn chương trình và chạy máy rửa chén



SỬ DỤNG MÁY RỬA CHÉN CỦA BẠN

Bảng điều khiển



Vận hành (Nút)


<p>1 Nút nguồn (Power)</p>	<p>Nhấn nút này để bật máy rửa chén, màn hình sẽ sáng lên.</p>
<p>2 Làm tươi không khí và Sấy khô (Fresh and Dry)</p>	<p>Dưới tác động của quạt tuabin, chức năng lưu trữ có thể đạt được hiệu quả sấy khô tốt hơn và giữ cho không khí trong máy rửa chén luôn trong lành. Chức năng Lưu trữ được thực hiện sau khi máy rửa chén rửa xong và có thể chạy tới 72 giờ. Bạn không thể sử dụng chức năng Bảo quản tươi và khô khi chọn chương trình Rửa Nhanh hoặc Rửa Ngâm, Tự làm sạch.</p>
<p>3 Chức năng UV</p>	<p>Diệt vi khuẩn bằng tia cực tím. (Chỉ có thể được sử dụng với chế độ Rửa Vệ sinh (Hygiene), Rửa Tiết kiệm (ECO), Rửa ly, Rửa 90 phút, Tự làm sạch).</p>
<p>4 Chương trình (Program)</p>	<p>^ Tiến ∨ Lùi</p>
<p>5 Chức năng (Function)</p>	<p>Nhấn nút này để chọn chức năng, đèn chỉ báo tương ứng sẽ sáng</p>
<p>6 Trì hoãn (Delay)</p>	<p>Nhấn nút này để cài đặt độ trễ khi rửa. Bạn có thể trì hoãn việc bắt đầu rửa lên đến 24 giờ. Một lần nhấn vào nút này sẽ trì hoãn việc khởi động rửa thêm một giờ.</p>

<p>7 Khóa trẻ em (Child lock)</p>	<p>Tùy chọn này cho phép bạn khóa các nút trên bảng điều khiển để trẻ em không thể vô tình khởi động máy rửa chén bằng cách nhấn các nút trên bảng điều khiển. Để khóa hoặc mở khóa các nút trên bảng điều khiển, nhấn và giữ đồng thời nút Alt + Delay trong 3 giây.</p>
<p>8 Rửa nửa tải (Alt)</p>	<p>Nhấn nút để chọn giỏ trên hoặc giỏ dưới đã được đưa vào và đèn báo tương ứng ( ) sẽ sáng.</p>
<p>9 Bắt đầu/ Tạm dừng (Start/Pause)</p>	<p>Để khởi động chương trình rửa đã chọn hoặc tạm dừng khi máy rửa chén đang hoạt động.</p>

Màn hình hiển thị

Chất trợ xả



Nếu đèn báo “” sáng nghĩa là máy rửa chén sắp hết chất trợ xả và cần nạp thêm.


Muối



Nếu đèn báo “” sáng lên, điều đó có nghĩa là máy rửa chén sắp hết muối và cần nạp thêm.

Vòi nước



Nếu đèn báo “” sáng nghĩa là vòi nước đã đóng.

10 Đèn cảnh báo

Để hiển thị chương trình nào đã được chọn, nhiệt độ thời gian thực và thời gian còn lại, v.v.

Chương trình:



Rửa Tự động (Auto)

Cảm biến tự động rửa sạch đồ sành sứ bị bẩn nhẹ, bình thường hoặc nặng, có hoặc không có thức ăn khô.



Rửa Vệ sinh (Hygiene)

Sử dụng để vệ sinh bát đĩa và đồ thủy tinh của bạn. Nhiệt độ nước cao nhất là 72°C.



Rửa Tiết kiệm (ECO)

Đây là chương trình tiêu chuẩn, phù hợp để rửa vật dụng bị bẩn thông thường và là chương trình hiệu quả nhất xét về mức tiêu thụ năng lượng và nước.

11 Màn hình

11 Màn hình		Rửa ly (Glass) Dùng cho bát đĩa và ly cốc bị bẩn nhẹ.
		Rửa 90 phút (90 min) Dành cho đồ bẩn thông thường cần rửa nhanh.
		Rửa Nhanh (Rapid) Thời gian rửa ngắn hơn cho đồ dùng ít bẩn và không cần sấy khô.
		Rửa Ngâm (Soak) Để ngâm bát đĩa trước khi rửa.
		Tự làm sạch (Self-cleaning) Chương trình này cung cấp khả năng làm sạch máy rửa chén hiệu quả.

12 Đèn chỉ báo chức năng

Rửa nửa tải Trên (Upper)



Khi bạn chọn Upper, chỉ có cần phun của giá trên được kích hoạt. Cần phun phía dưới sẽ không hoạt động.

Rửa nửa tải Dưới (Lower)



Khi bạn chọn Lower, chỉ có cần phun của giá dưới được kích hoạt. Cần phun phía trên sẽ không hoạt động.

Làm tươi không khí và Sấy khô (Fresh & Dry)



Giữ cho không khí trong lành và khô trong suốt 72 giờ. **Bạn không thể sử dụng chức năng Bảo quản tươi và khô khi chọn chương trình Rửa Nhanh hoặc Rửa Ngâm, Tự làm sạch.**

Chức năng UV



Sử dụng để vệ sinh, diệt khuẩn bát đĩa và đồ thủy tinh. Khi biểu tượng sáng lên nghĩa là đèn UV đang hoạt động.

Tăng Tốc độ Rửa (Turbo speed+)



Giảm thời gian chương trình. (Chỉ có thể được sử dụng với chế độ Rửa Vệ sinh (Hygien), Rửa tiết kiệm ECO, Rửa ly, Rửa 90 phút)

Làm khô tăng cường (Extra drying)



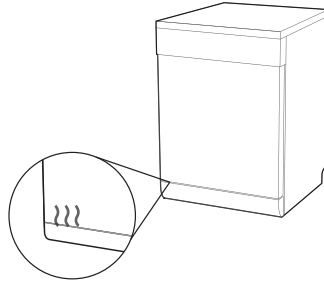
Để làm khô bát đĩa kỹ hơn.

(Chỉ có thể được sử dụng với chế độ Rửa Vệ sinh (Hygien), Rửa tiết kiệm ECO, Rửa ly, Rửa 90 phút)



GHÌ CHÚ:

Công nghệ bảo quản và sấy khô bằng không khí nóng có thể làm khô bát đĩa, dụng cụ một cách nhanh chóng. Trong quá trình vận hành có thể có những giọt nước hoặc hơi nước ở cửa thoát khí. Đây là hiện tượng bình thường.



Bộ làm mềm nước

Bộ làm mềm nước phải được cài đặt thủ công sử dụng nút xoay độ cứng của nước. Bộ làm mềm nước được thiết kế để loại bỏ các khoáng chất và muối khỏi nước, những chất này có thể có tác động bất lợi hoặc có hại đến hoạt động của máy. Càng có nhiều khoáng chất thì nước của bạn càng cứng. Bộ làm mềm phải được điều chỉnh theo độ cứng của nước ở khu vực của bạn. Cơ quan cấp nước địa phương có thể tư vấn cho bạn về độ cứng của nước ở khu vực của bạn.

Điều chỉnh lượng muối tiêu thụ

Máy rửa chén được thiết kế để cho phép điều chỉnh lượng muối tiêu thụ dựa trên độ cứng của nước sử dụng, nhằm mục đích tối ưu hóa và tùy chỉnh mức độ tiêu thụ muối.

Vui lòng làm theo các bước dưới đây để điều chỉnh lượng muối tiêu thụ.

1. Đóng cửa, bật thiết bị;
2. Trong vòng 60 giây sau khi bật, nhấn nút chương trình (Program) trong hơn 5 giây để vào chế độ cài đặt bộ làm mềm nước.
3. Nhấn nút chương trình (Program) một lần nữa để chọn cài đặt phù hợp theo môi trường nước của bạn, các chế độ cài đặt sẽ thay đổi theo trình tự sau: H3->H4->H5->H6->H1->H2->H3;
4. Nhấn nút Power để kết thúc chế độ cài đặt.

ĐỘ CỨNG CỦA NƯỚC				Mức độ làm mềm nước	Quá trình tái sinh xảy ra ở mọi trình tự của chương trình ¹⁾	Tiêu thụ muối (gram/chu kỳ)
Tiếng Đúc °dH	Tiếng Pháp °fH	Tiếng Anh °Clarke	Mmol/l			
0 - 5	0 - 9	0 - 6	0 - 0,94	H1	Không tái sinh	0
6 - 11	10 - 20	7 - 14	1,0 - 2,0	H2	10	9
12 - 17	21 - 30	15 - 21	2,1 - 3,0	H3	5	12
18 - 22	31 - 40	22 - 28	3,1 - 4,0	H4	3	20
23 - 34	41 - 60	29 - 42	4,1 - 6,0	H5	2	30
35 - 55	61 - 98	43 - 69	6,1 - 9,8	H6	1	60

1 °dH=1,25 °Clarke=1,78 °fH=0,178mmol/l

Cài đặt gốc: H3

1) Mỗi chu trình có hoạt động tái sinh sẽ tiêu thụ thêm 2,0 lít nước, mức tiêu thụ điện năng tăng thêm 0,02 kWh và chương trình kéo dài thêm 4 phút.



Vui lòng kiểm tra phần 3 “Nạp muối vào bộ làm mềm nước” của PHẦN I: Phiên bản phổ thông nếu máy rửa chén của bạn thiếu muối.

LƯU Ý:

Nếu model của bạn không có thiết bị làm mềm nước, bạn có thể bỏ qua phần này.

Bộ làm mềm nước

Độ cứng của nước thay đổi tùy theo từng nơi. Nếu sử dụng nước cứng trong máy rửa chén, cặn sẽ hình thành trên bát đĩa và đồ dùng.

Thiết bị được trang bị một bộ làm mềm nước sử dụng ngăn chứa muối được thiết kế đặc biệt để loại bỏ vôi và khoáng chất khỏi nước.

Chuẩn bị và xếp bát đĩa vào máy

- Cân nhắc khi mua đồ dùng để rửa bằng máy rửa chén.
- Đối với các đồ dùng cụ thể, hãy chọn chương trình có nhiệt độ thấp nhất có thể.
- Để tránh hư hỏng, không lấy ly và dao kéo ra khỏi máy rửa chén ngay sau khi chương trình kết thúc.

Bát đĩa/dao kéo sau dây không phù hợp với máy

- Dao kéo có tay cầm bằng gỗ, sứ sừng hoặc xà cừ
- Đồ nhựa không chịu nhiệt
- Dao kéo cũ có các bộ phận được dán lại không chịu được nhiệt độ
- Đồ dùng dao kéo hoặc bát đĩa được kết dính
- Các đồ dùng bằng thiếc hoặc đồng
- Tinh thể thủy tinh
- Đồ dùng bằng thép để bị rỉ sét
- Đĩa gỗ
- Các đồ dùng làm từ sợi tổng hợp

Bát đĩa/dao kéo phù hợp hạn chế với máy

- Một số loại kính có thể bị xỉn màu sau nhiều lần rửa
- Các đồ dùng bằng bạc và nhôm có xu hướng đổi màu sau khi rửa.
- Họa tiết tráng men có thể bị phai màu nếu rửa máy thường xuyên

Khuyến nghị khi xếp đồ dùng vào máy rửa chén.

Cạo bỏ lượng lớn thức ăn thừa. Làm mềm thức ăn cháy trong chảo. Không cần thiết phải rửa bát đĩa dưới vòi nước chảy.

Để máy rửa bát hoạt động tốt nhất, hãy làm theo các hướng dẫn sắp xếp bát đĩa sau.

(Các tính năng và hình dáng của giỏ bát đĩa và kệ dao kéo có thể khác nhau tùy theo model máy).

Đặt đồ dùng vào máy rửa chén theo cách sau:

- Các vật dụng như cốc, ly, nôi/chảo, v.v. được đặt hướng xuống dưới.
- Những đồ vật cong hoặc có phần lõm vào nên được xếp nghiêng để nước có thể chảy ra.
- Tất cả các đồ dùng được xếp chồng lên nhau một cách an toàn và không để lật.
- Tất cả các dụng cụ đều được đặt sao cho cần phun có thể xoay tự do trong quá trình rửa.
- Xếp các vật dụng rỗng như cốc, ly, chảo, v.v. với lỗ mở hướng xuống dưới để nước không thể đọng lại trong ngăn chứa hoặc đọng lại ở đế.
- Bát đĩa và dao kéo không được nằm chồng lên nhau.
- Để tránh hư hỏng, các vật dụng bằng thủy tinh không được va vào nhau.
- Giỏ phía trên được thiết kế để đựng những đồ dùng nhẹ hơn như ly, tách cà phê và trà.
- Những con dao có lưỡi dài được đặt ở tư thế thẳng đứng có thể gây nguy hiểm.
- Các vật dụng dao kéo dài và sắc phải được đặt nằm ngang ở giỏ phía trên.
- Không đặt quá nhiều vật dụng vào máy. Điều này giúp máy tiết kiệm điện năng.

LƯU Ý:

Những đồ vật rất nhỏ không nên rửa trong máy rửa chén vì chúng có thể dễ dàng rơi ra khỏi giỏ.

Lấy bát đĩa ra

Để tránh nước nhỏ giọt từ giỏ trên xuống giỏ dưới, nên lấy giỏ dưới trước rồi đến giỏ trên.

CẢNH BÁO



Các vật dụng sẽ nóng! Để tránh hư hỏng, không lấy ly và dao kéo ra khỏi máy rửa chén trong khoảng 15 phút sau khi kết thúc rửa.

Sắp xếp bát đĩa, vật dụng vào giỏ trên

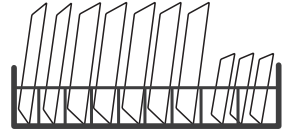
Giỏ phía trên được thiết kế để đựng những đồ dùng nhỏ và nhẹ như ly, đĩa và tách cà phê, trà, cũng như đĩa, bát nhỏ và chảo nông (miễn là chúng không quá bẩn). Đặt vật dụng sao cho không di chuyển khi máy chạy.



Sắp xếp bát đĩa, vật dụng vào giỏ dưới

Nên đặt những vật dụng lớn và những vật dụng khó làm sạch vào giỏ dưới: chẳng hạn như nồi, chảo, vung, đĩa ăn và bát, như trong hình bên dưới. Tốt nhất nên đặt đĩa và vung ở phía cạnh giá đỡ để tránh cản trở chuyển động quay của cần phun phía trên.

Đường kính tối đa được khuyến dùng cho các đĩa ở phía trước ngăn phân phối chất tẩy rửa là 19 cm, giúp không cản trở mở nắp ngăn chất tẩy rửa.



Sắp xếp dao kéo

Dao kéo phải được đặt trong giỏ dao kéo tách biệt với nhau ở những vị trí thích hợp để đảm bảo hiệu suất làm sạch. Không xếp chồng dao kéo để tránh làm giảm hiệu suất làm sạch.

⚠ CẢNH BÁO



Đừng để lưỡi dao kéo nhô ra khỏi giỏ.
Luôn đặt các dụng cụ sắc nhọn có đầu nhọn hướng xuống!



Để có hiệu quả rửa tốt nhất, vui lòng xếp đồ dùng vào giỏ theo tiêu chuẩn tùy chọn ở phần cuối của PHẦN I: Phiên bản phổ thông.

Chức năng của chất trợ xả và chất tẩy rửa

Chất trợ xả được giải phóng trong lần xả cuối cùng để ngăn nước hình thành các giọt trên bát đĩa của bạn, có thể tạo ra các vết. Chất trợ xả cũng giúp cải thiện khả năng sấy khô nhờ các giọt nước lăn ra khỏi bát đĩa. Máy rửa chén của bạn được thiết kế để

⚠ CẢNH BÁO

Chỉ sử dụng nước trợ xả có thương hiệu cho máy rửa chén. Không bao giờ đổ bất kỳ chất nào khác vào ngăn chứa chất trợ xả (ví dụ: chất tẩy rửa máy rửa chén, nước tẩy rửa) vì có thể làm hỏng thiết bị.

Khi nào cần đổ nước trợ xả vào.

Tần suất đổ nước trợ xả phụ thuộc vào tần suất rửa bát đĩa và chế độ cài đặt chất trợ xả.

- Đèn chỉ báo chất trợ xả ở mức thấp (🔌) sẽ xuất hiện trên màn hình khi cần thêm chất trợ xả.
- Không đổ quá nhiều nước trợ xả.

Chức năng của chất tẩy rửa

Các thành phần hóa học có trong chất tẩy rửa cần thiết để loại bỏ, nghiền nát và đánh bay mọi chất bẩn ra khỏi máy rửa chén. Hầu hết các chất tẩy rửa thương mại đều phù hợp cho mục đích này.

⚠ CẢNH BÁO

• Sử dụng chất tẩy rửa thích hợp

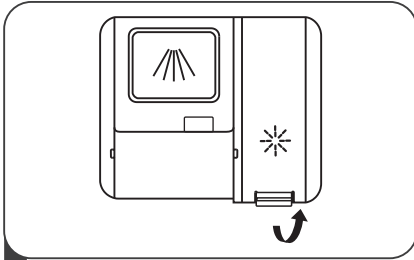
Chỉ sử dụng chất tẩy rửa được sản xuất riêng cho máy rửa chén. Bảo quản chất tẩy rửa một cách thích hợp.

Không cho chất tẩy vào ngăn chứa cho đến khi bạn sẵn sàng rửa chén.

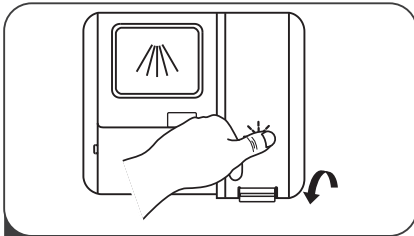


Chất tẩy rửa máy rửa chén có tính ăn mòn! Không để trẻ em tiếp xúc với máy.

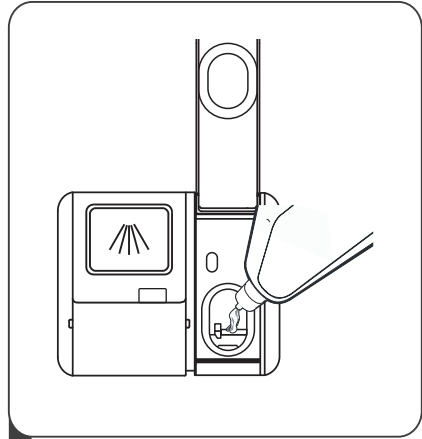
• Nạp chất trợ xả vào ngăn chứa



- 1 Tháo nắp ngăn chứa bằng cách nhấn tay cầm lên



- 3 Đóng nắp lại.



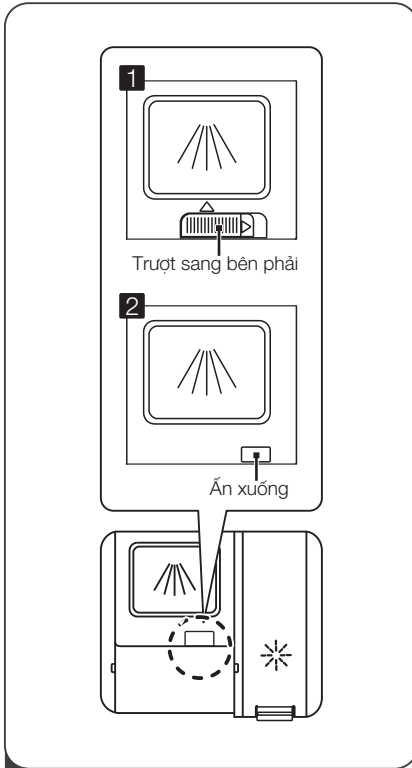
- 2 Đổ chất trợ xả vào ngăn chứa, cẩn thận không đổ quá đầy.

Điều chỉnh ngăn chứa chất trợ xả

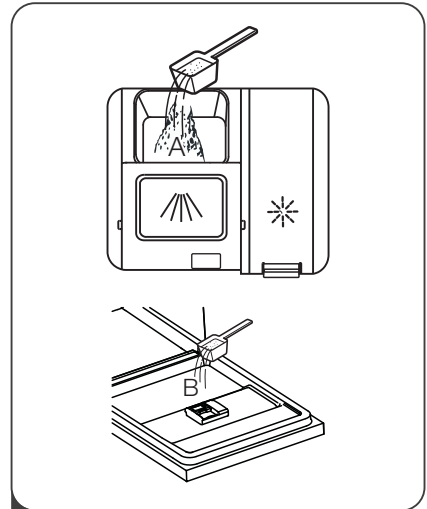
Để đạt được hiệu suất sấy tốt hơn với lượng chất trợ xả hạn chế, máy rửa chén có thể điều chỉnh mức tiêu thụ của người dùng. Thực hiện theo các bước dưới đây.

1. Đóng cửa, bật thiết bị;
2. Trong vòng 60 giây sau khi bật, nhấn nút chương trình (Program) ✓ trong hơn 5 giây, sau đó nhấn nút Delay để vào chế độ cài đặt, chỉ báo chất trợ xả sáng với tần số là 1Hz.
3. Nhấn nút chương trình (Program) ✓ một lần nữa để chọn cài đặt phù hợp theo thói quen sử dụng, các chế độ cài đặt sẽ thay đổi theo trình tự sau:
d3->d4->d5->d1->d2->d3.
4. Không thao tác trong 5 giây hoặc nhấn nút Power để hoàn tất cài đặt và thoát.
5. Cài đặt của nhà máy là: d3

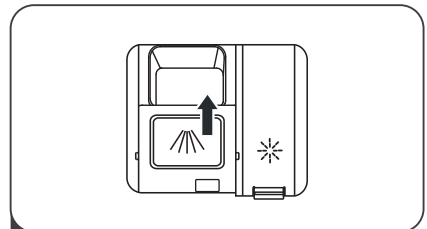
Nạp chất tẩy rửa vào ngăn chứa



- 1 Hãy chọn một cách mở theo tình hình thực tế.
1. Mở nắp bằng cách trượt chốt mở.
 2. Mở nắp bằng cách nhấn chốt mở xuống



- 2 Thêm chất tẩy rửa vào khoang lớn hơn (A) cho chu trình rửa chính. Để có kết quả rửa tốt hơn, đặc biệt nếu bát đĩa quá bẩn, hãy đổ một lượng nhỏ chất tẩy rửa lên cửa. Chất tẩy rửa bổ sung sẽ được sử dụng trong giai đoạn rửa sơ bộ.



- 3 Đóng nắp bằng cách trượt nắp về phía trước rồi ấn xuống.

⚡ LƯU Ý

Tuân thủ khuyến nghị của nhà sản xuất trên bao bì chất tẩy rửa.



LỰA CHỌN CHƯƠNG TRÌNH

Bảng chế độ rửa

Bảng dưới đây cho biết chương trình nào phù hợp nhất với mức độ tồn dư thức ăn và lượng chất tẩy rửa cần thiết. Bảng này cũng hiển thị nhiều thông tin khác nhau về các chương trình. Giá trị tiêu thụ và thời lượng chương trình chỉ mang tính tham khảo ngoại trừ chương trình ECO

(●) biểu thị chương trình sử dụng chất trợ xả và xả lần cuối

Chương trình	Mô tả chu trình rửa	Chất tẩy rửa Giai đoạn rửa sơ bộ/rửa chính	Thời gian chạy (phút)	Điện năng (kWh)	Nước (L)	Chất trợ xả
 Auto	Rửa sơ bộ (45°C) Rửa tự động (45-55°C) Xả (55°C) Xả (70°C) Sấy	5/25,8g <hr/> (1 hoặc 2 viên)	138-193	1.150- 1.450	11-14,8	●
 Hygiene	Rửa (72°C) Xả Xả Rửa (72°C) Sấy	30g <hr/> (1 hoặc 2 viên)	205	1.650	13,7	●
 Rửa Tiết kiệm (*EN50242)	Rửa (53°C) Xả Xả (55°C) Sấy	5/25,8g <hr/> (1 hoặc 2 viên)	200	0,998	9,8	●
 Glass	Rửa sơ bộ Rửa (50°C) Xả (50°C) Xả (53°C) Sấy	5/28,8g <hr/> (1 hoặc 2 viên)	140	0,900	13,5	●
 90 Min	Rửa (60°C) Xả Xả (52°C) Sấy	30g <hr/> (1 hoặc 2 viên)	90	0,890	10,9	●
 Rapid	Rửa (40°C) Xả (40°C) Xả (55°C)	20g	30	0,750	11,2	○
 Soak	Rửa sơ bộ	/	15	0,015	4,1	○

Tự làm sạch  Self cleaning	Rửa sơ bộ	<hr style="width: 100px; margin: 0 auto;"/> 30g	170	1.400	15,1	
	Rửa (60°C)					
	Xả					
	Xả (70°C)					
	Sấy	(1 hoặc 2 viên)				

LƯU Ý:

ECO: Chương trình này là chu trình kiểm tra. Thông tin để kiểm tra khả năng tương thích tuân thủ EN 50242.

Tiết kiệm điện năng




- Việc rửa trước bát đĩa sẽ làm tăng mức tiêu thụ nước và điện năng và không khuyến khích bước này.
- Rửa bát đĩa bằng máy rửa chén gia đình thường tiêu tốn ít điện năng và nước hơn so với rửa bằng tay nếu làm đúng theo hướng dẫn.

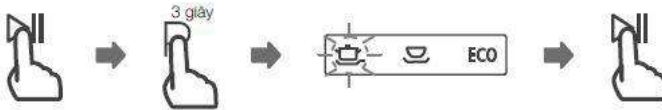
Khởi động một chương trình rửa.

- Kéo giỏ dưới và giỏ trên ra, xếp bát đĩa vào và đẩy vào. Nên xếp giỏ dưới trước, sau đó mới xếp giỏ trên.
- Đổ chất tẩy rửa vào.
- Cắm phích cắm vào ổ cắm. Nguồn điện tham khảo trang cuối cùng “Thông số sản phẩm”. Đảm bảo rằng nguồn cấp nước được bật ở mức áp suất tối đa.
- Đóng cửa lại, nhấn nút Power để bật máy.
- Chọn chương trình, đèn phản hồi sẽ sáng. Sau đó nhấn nút Start/Pause, máy rửa chén sẽ bắt đầu chạy.

Thay đổi chương trình giữa chu trình rửa.

Chỉ có thể thay đổi chương trình nếu vừa chạy trong một khoảng thời gian ngắn, nếu không chất tẩy rửa có thể đã xả ra hoặc nước chứa chất tẩy rửa đã được xả hết. Trong trường hợp này, máy rửa chén cần phải được cài đặt lại và ngăn chất tẩy rửa phải được đổ đầy lại. Để cài đặt lại máy rửa chén, hãy làm theo hướng dẫn bên dưới:

- 1. Nhấn nút Start/Pause để tạm dừng quá trình rửa.**
- Nhấn nút  chương trình (Program) hơn 3 giây, máy sẽ ở chế độ lựa chọn.
- Bạn có thể thay đổi tiến  hoặc lùi  chương trình (Program) về cài đặt chu trình mong muốn



• Quên thêm bát đĩa?

Bát đĩa bị quên có thể được thêm vào bất cứ lúc nào trước khi ngăn chứa chất tẩy rửa mở ra. Nếu như vậy, hãy làm theo hướng dẫn dưới đây:

1. Nhấn nút Start/Pause để tạm dừng quá trình rửa.
2. Sau khi cân phun ngừng, bạn có thể mở cửa hoàn toàn.
3. Thêm bát đĩa bị quên.
4. Đóng cửa.
5. Nhấn nút Start/Pause, máy rửa chén sẽ tiếp tục chạy sau 5 giây.



⚠ CẢNH BÁO



Mở cửa giữa chu kỳ sẽ rất nguy hiểm vì hơi nước nóng có thể làm bạn bị bỏng.

MÃ LỖI

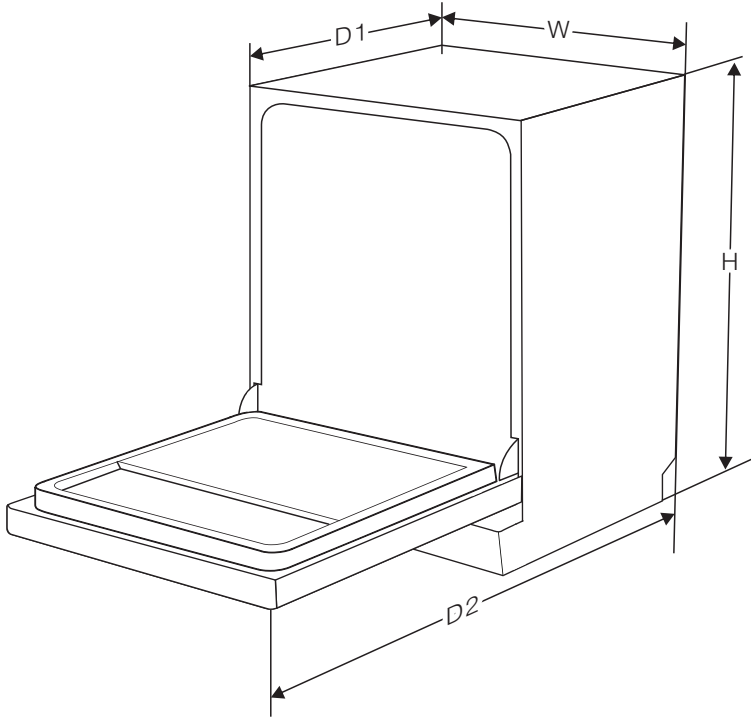
Nếu có sự cố, máy rửa chén sẽ hiển thị mã lỗi. Bảng sau đây hiển thị các mã lỗi có thể xảy ra và nguyên nhân.

Mã	Ý nghĩa	Nguyên nhân
E1	Thời gian cấp nước lâu hơn	Vòi không được mở hoặc lượng nước vào bị hạn chế hoặc áp lực nước quá thấp.
E3	Không đạt nhiệt độ yêu cầu.	Bộ gia nhiệt nước bị sự cố
E4	Nước tràn	Rò rỉ
E8	Lỗi định hướng của van phân phối.	Hở mạch hoặc hỏng van phân phối
E9	Tiếp tục nhấn một nút trong hơn 30 giây.	Có nước hoặc vật thể lạ xâm nhập vào nút
Ec	Hệ thống điều khiển máy lỗi	PCB hoặc động cơ lỗi
Ed	Lỗi giao tiếp giữa bo mạch chính với bo mạch màn hình hiển thị	Hở mạch hoặc đứt kết nối giao tiếp

CẢNH BÁO

- Nếu xảy ra tràn nước, phải tắt nguồn cấp nước chính trước khi gọi dịch vụ.
- Nếu có nước trong bình hứng nước tràn do đổ đầy hoặc rò rỉ nhỏ, cần xả nước trước khi khởi động lại máy rửa chén.
- Nếu có mã lỗi không thể khắc phục được, yêu cầu chuyên gia hỗ trợ.

THÔNG SỐ KỸ THUẬT



Cao (H)	845mm
Rộng (W)	598mm
Sâu (D1)	600mm (khi cửa đóng)
Sâu (D2)	1175mm (khi cửa mở 90°)

Thông tin sản phẩm (EN50242)

Máy rửa bát gia dụng tuân theo Chỉ thị EU 1016/2010 và 1059/2010:

Nhà sản xuất	HAFELE
Loại/Mô tả	HDW-F605B 535.29.660
Số lượng chế độ cài đặt tiêu chuẩn	15
Cấp hiệu quả năng lượng 1	A+
Tiêu thụ điện năng hàng năm 2	304 kWh
Tiêu thụ điện năng một chu trình rửa tiêu chuẩn	1,069 kWh
Tiêu thụ điện năng ở chế độ tắt	0,35 W
Mức tiêu thụ điện năng ở chế độ chờ	0,39W
Lượng nước tiêu thụ hàng năm 3	2744 lít
Cấp hiệu suất sấy khô 4	A
Chu trình rửa tiêu chuẩn 5	ECO 53°C
Thời lượng chương trình của chu trình rửa tiêu chuẩn	200 phút
Độ ồn	47 dB(A)
Lắp đặt	Đứng tự do
Có thể lắp đặt kết hợp với hệ thống khác	Có
Công suất tiêu thụ	1760-2100W
Điện áp / tần số định mức	220-240V/50Hz
Áp lực nước (áp lực dòng chảy)	0,04-1,0MPa = 0,4-10 bar

LƯU Ý

- 1** A + + + (hiệu suất cao nhất) đến D (hiệu suất thấp nhất)
- 2** Mức tiêu thụ năng lượng dựa trên 280 chu trình rửa tiêu chuẩn sử dụng nước lạnh và mức tiêu thụ ở chế độ điện năng thấp. Mức tiêu thụ điện năng thực tế sẽ phụ thuộc vào cách sử dụng thiết bị.
- 3** Lượng nước tiêu thụ dựa trên 280 chu trình rửa tiêu chuẩn. Lượng nước tiêu thụ thực tế sẽ phụ thuộc vào cách sử dụng thiết bị.
- 4** A (hiệu suất cao nhất) đến G (hiệu suất thấp nhất)
- 5** Chương trình này phù hợp để rửa chén đĩa bẩn thông thường và đây là chương trình hiệu quả nhất về mức tiêu thụ điện năng và nước kết hợp cho loại bát đĩa đó.

HÄFELE

Häfele VN LLC.

Phone: (+8428)39 113 113

Email: info@hafele.com.vn

