

Model: MS22120

 **MONSTER®**

CYCLE PLUS

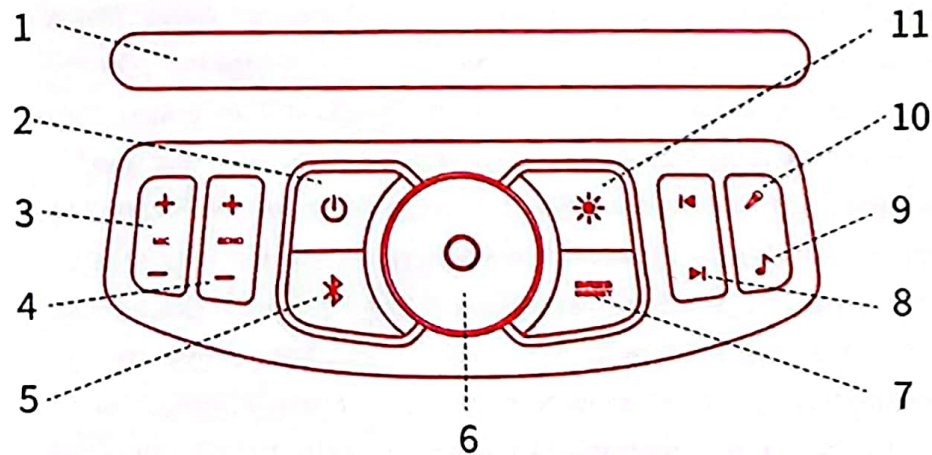
HIGH POWER OUTDOOR SPEAKER

Quick Start Guide

Please read this Quick Start Guide carefully
and keep it for future use

Product Overview

- Speaker Unit
- AUX IN Cable
- USB-C Charging Cable
- Wireless Microphone
- Quick Start Guide & Warranty Letter



1. Move the device base

2. Power on/off

Press and hold for 2 seconds to turn on or off.

3. Microphone volume adjustment

4. Reverberation adjustment

5. Bluetooth button

Press and hold for 2 seconds to disconnect the current connection.

Press and hold for 5 seconds to clear all paired devices.

6. Multi-function button

Press to play or pause music.

Turn clockwise/counterclockwise to increase/decrease the master volume.

7. Sound Mode button

Switch between 3 different sound modes.

8. Previous song/next song

9. Backup/original vocals switch

10. Microphone priority

11. Light Mode button

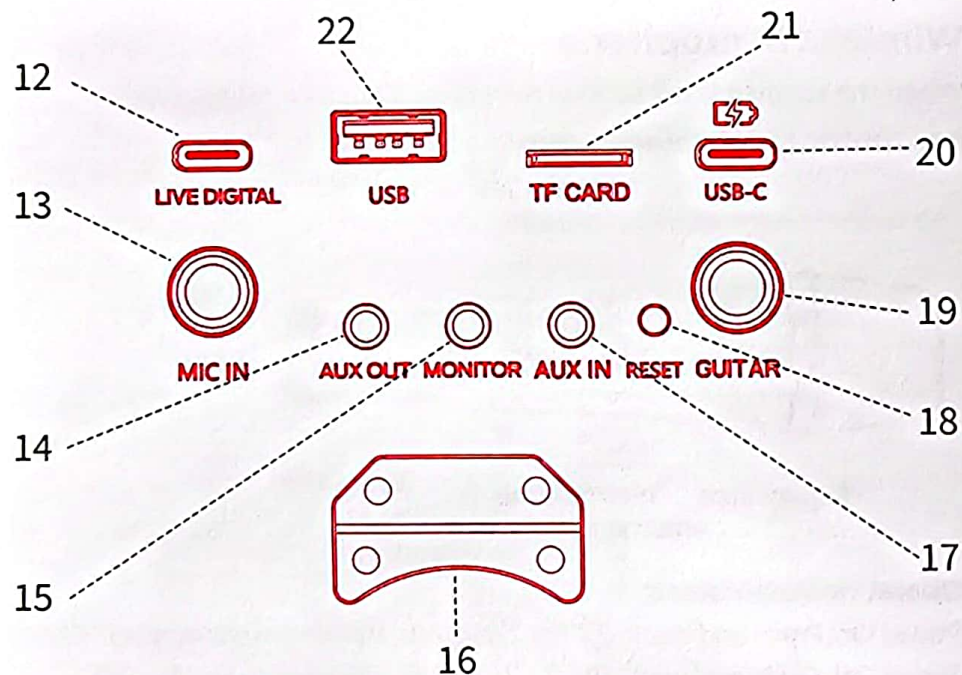
Switch between different lighting modes.

Hold for 2 seconds to turn on or off the light effect.

LED Indicator Guide

	Description	Voice/Tone	Status
⏻	○ White LED light	Opening Tone	Power On
	● The white LED is off	Goodbye	Power Off
📶	⚡ White LED lights flashing	Discovering	Not connected
	○ White LED light	Your device is connected	Connected
BASS BOOST	○ White LED light is white	-	-
	● White LED light dark white	-	-
	● The white LED is off	-	-
Battery low	-	Battery low	-

Description: ○ Indicator light ● Indicate that the light is off ⚡ Indication flash



12. LIVE DIGITAL

USB-C live broadcast port connects live broadcast devices.

13. MIC IN

Connect to microphone (not included).

14. AUX OUT

Output audio source via 3.5mm audio cable

15. MONITOR

Listening interface, connected to headphones (not included).

16. Bottle opener

17. AUX IN

External audio devices can be connected using audio cables (not included).

18. RESET

Reset button

19. GUITAR

Connect to guitar (not included).

20. USB-C

USB-C charging port

21. TF CARD

Connect TF Card (not included) storage device.

22. USB

Connect a USB storage device.

Power/Charging

For better enjoyment, fully charge the speaker before use.

A USB-C charging cable (charge only) is included for standard USB compatible device.

Please use a 5V/2A or above power adapter (not included).

Caution: - Other incompatible charges may cause damages.

- Do not use if the connector or device is wet or damaged.

Power On/Off

To turn on the speaker, press and hold the Power On/Off Button for 2 seconds, you will hear a power on tone.

To turn off the speaker, press and hold the Power On/Off Button for 2 seconds, you will hear a power off tone.

Caution: If no Bluetooth device is connected, the speaker will turn off in 15 minutes.

Bluetooth Connection

- When first used and turned on, the speaker will automatically enter a waiting mode for connection.
- If the Bluetooth device is already connected, press " ⌘ " button to disconnect the current connection and connect with other devices.
- The speaker will automatically enter pairing mode if it is not connected to a Bluetooth device.

When pairing, enable the Bluetooth function of the phone and search for "**Monster Cycle Plus**" to connect. When the connection is successful, you will hear a prompt tone and the Bluetooth indicator will turn from blinking to long on.

Music control

Press " ○ " once to play or pause music.

Press " ◀ " once to switch to the previous song.

Press " ▶ " once to switch to the next song.

Turn clockwise/counterclockwise to increase/decrease the master volume.

USB IN (Audio) Playback

When speaker is on and USB drive is inserted, USB IN (Audio) is the priority playback source. If you want to use Bluetooth function, press the " ⏻ " Button to switch the source.

Micro SD Card Playback

When speaker is on and micro SD card (Not included) is inserted, micro SD card is the priority playback source. If you want to use Bluetooth function, press the " ⏻ " Button to switch the source.

AUX IN Playback

When speaker is on and audio source is inserted via AUX IN, AUX IN is the priority playback source. If you want to use Bluetooth function, press the "⏻" Button to switch the source.

Live broadcast function

Connect the speaker to the live broadcasting device, one end of which is connected to the live broadcasting device, and the other end is connected to the live broadcasting port of the speaker. Use another mobile device to connect to the Bluetooth or AUXIN of the speaker to play accompaniment, and all the sounds (music/microphone sounds) at the end of the speaker can be uploaded to the live broadcasting device through the live broadcasting line (excluding).

Monitoring function

After inserting the monitoring hole, the speaker will enter the mute state, and the sound of the speaker will be output through the monitoring hole. In this case, double-click the power button "⏻" to turn on or off the sound output of the speaker.

Power Saving Setting

- In Bluetooth mode, when no device is connected, the speaker will be switched off automatically in 15 minutes.
- AUX IN mode/ Micro SD card mode/USB IN (AUDIO) mode or Bluetooth mode, no music playback for 15 minutes, the speaker will be switched off automatically.
- If microphone is plugged in and idled over 15 minutes, the speaker will be switched off automatically.

Light mode

When the speaker is turned on, press the "☀" button to switch between various lighting modes. If you want to turn off the light mode, press and hold the "☀" button for 2 seconds to turn off the light.

Bluetooth broadcast mode (same model only)

Set up one "Cycle Plus" as the main speaker and connect it to over 100 auxiliary "Cycle Plus" speakers to control audio and lighting effects.

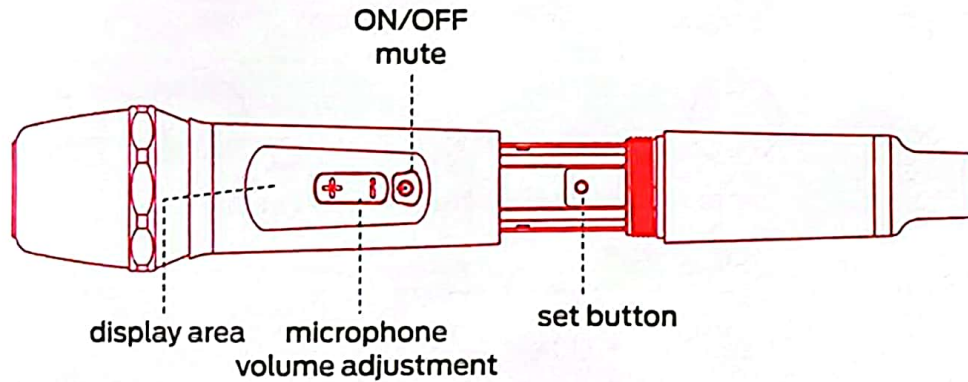
1. First connect a "Cycle Plus" speaker to your Bluetooth device (such as a mobile phone).
2. Press "⌘" button twice on multiple "Cycle Plus" speakers to enter Bluetooth broadcast mode.
3. After successful connection, the "⌘" LED Indicator on the main speaker will continue to flash white, while the "⌘" LED Indicator on the auxiliary speaker will turn white and keep on.

After successfully entering Bluetooth broadcast mode:

- You only need to control the main speaker, you can shut down all speakers, adjust the volume or switch the lighting effect and other operations;
- You can turn off the power of each auxiliary speaker or switch its lighting effect;
- You cannot adjust the volume of each auxiliary speaker separately;
- To exit Bluetooth broadcast mode, press the "⌘" button twice on any speaker.

Wireless Microphone

When the speaker is on, turn on the power switch on the wireless microphone to use the wireless microphone.



Operating instructions:

Power On: Press and hold "⏻" for 2 seconds, the screen will display "ON".

Power Off: Press and hold "⏻" for 2 seconds, the screen display "OFF".

Mute: Press the "⏻" button to display "--".

Volume adjustment: Press the +/- button.

Micphone sound effect: Press and hold the "+" button to switch between multiple sound effects.

Frequency switch: Press the SET button to switch between different frequency points.

Decoding: Press and hold the SET button for 5 seconds, when the screen displays "----" circulating, turn on the speaker, until the "----" icon exits, Decoding is complete.

Lock code: Press and hold the SET button for 5 seconds, when the screen displays "ID --" blinking, turn on the speaker, until the "ID --" icon exits, Lock code complete.

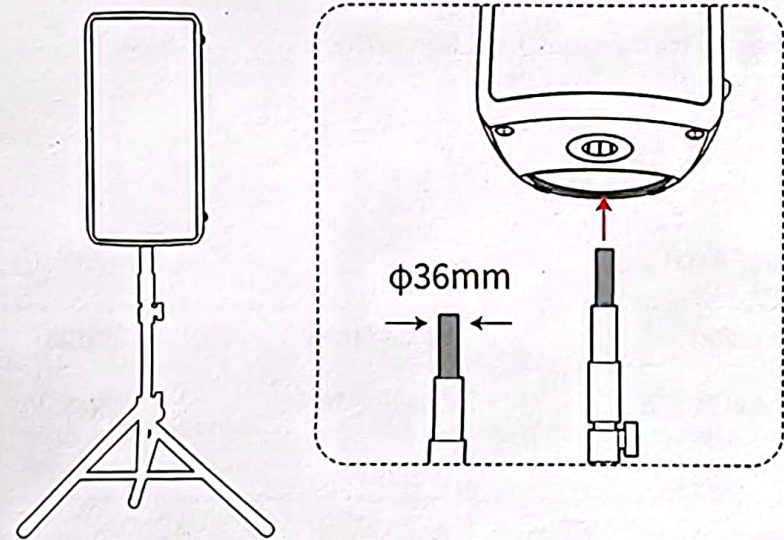
* **Note:** When operating the unlock/lock code, the speaker needs to restart (built-in receiver board) once to complete this operation.

Reset Device

If the speaker needs to be reset, press the reset button.

Use speaker stand (not included)

The speaker can be used with the support. You can place the speaker on the support.



Cautions:

Installation must be done by qualified persons using safe rigging standards.

The installer is responsible for proper selection and use of mounting hardware, to properly and safely pole-mount the speakers.

Caution

- It is not recommended to replace the battery privately.
- The battery (battery pack or battery pack combination) must not be exposed to sunshine, fire or similar overheated environments.

FCC Statement

Changes or modifications not expressly approved by the party responsible for compliance could void the user's authority to operate the equipment.

This equipment has been tested and found to comply with the limits for a Class B digital device, pursuant to Part 15 of the FCC Rules. These limits are designed to provide reasonable protection against harmful interference in a residential installation. This equipment generates, uses and can radiate radio frequency energy and, if not installed and used in accordance with the instructions, may cause harmful interference to radio communications. However, there is no guarantee that interference will not occur in a particular installation. If this equipment does cause harmful interference to radio or television reception, which can be determined by turning the equipment off and on, the user is encouraged to try to correct the interference by one or more of the following measures:

- Reorient or relocate the receiving antenna.
- Increase the separation between the equipment and receiver.
- Connect the equipment into an outlet on a circuit different from that to which the receiver is connected.
- Consult the dealer or an experienced radio/TV technician for help

This device complies with part 15 of the FCC rules. Operation is subject to the following two conditions (1) this device may not cause harmful interference, and (2) this device must accept any interference received, including interference that may cause undesired operation.